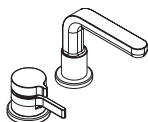


Installation Instructions / Warranty



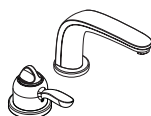
Metris S
04135XX0



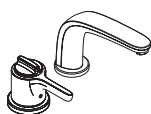
Talis S
04136XX0



Focus S
04137XX0



Solaris E
04138XX0



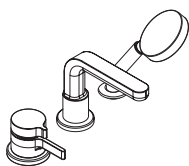
Allegro E
04139XX0



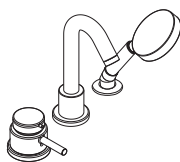
Metro E
04140XX0



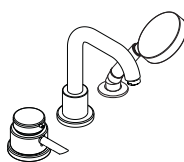
Swing C
04143XX0



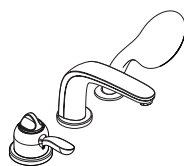
Metris S
04126XX0



Talis S
04127XX0



Focus S
04128XX0



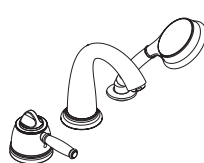
Solaris E
04129XX0



Allegro E
04130XX0



Metro E
04131XX0

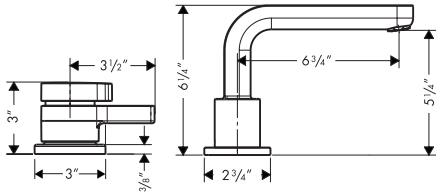


Swing C
04134XX0

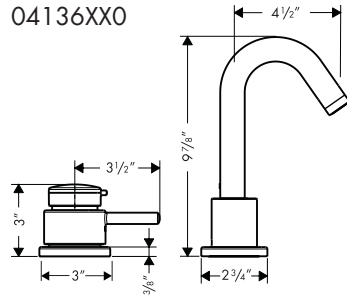
hangrohe

Two-hole thermostatic tub filler – requires rough 04125181

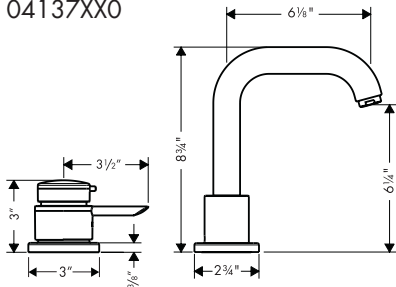
04135XX0



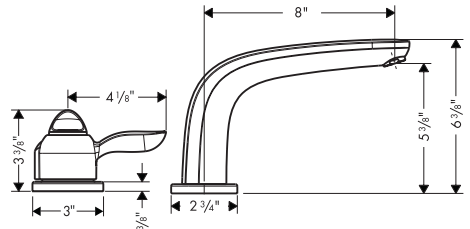
04136XX0



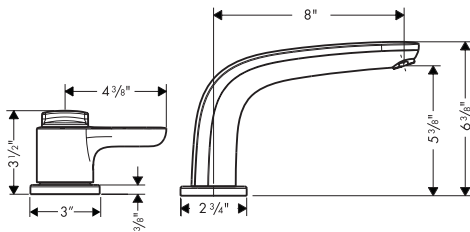
04137XX0



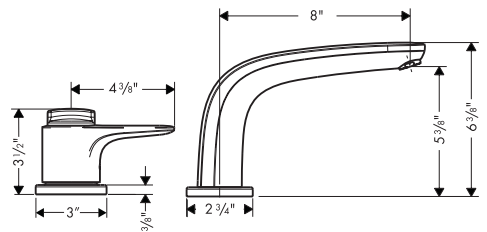
04138XX0



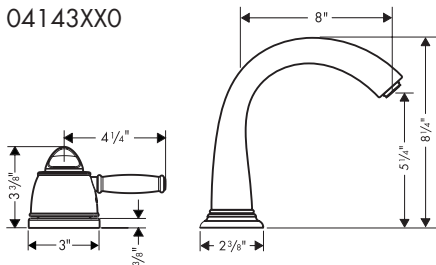
04139XX0



04140XX0

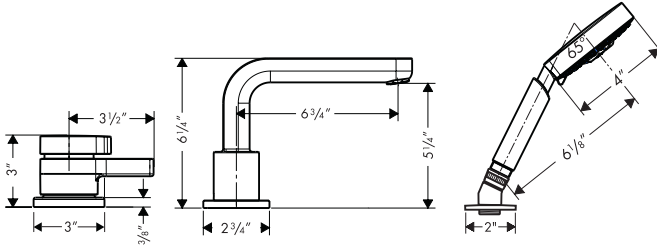


04143XX0

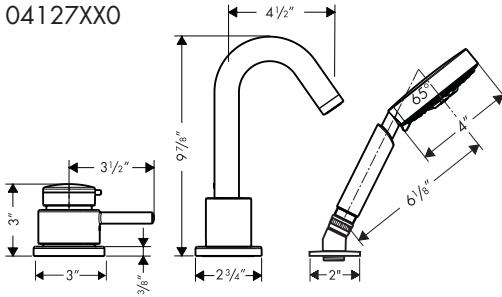


Three-hole thermostatic tub filler – requires rough 04124181

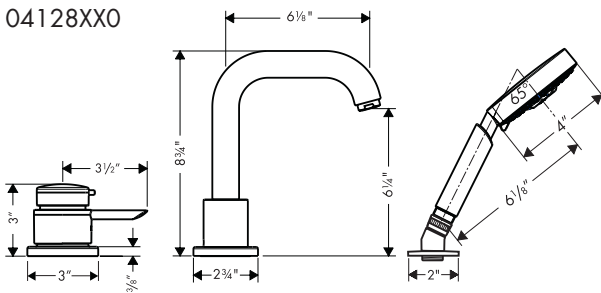
04126XX0



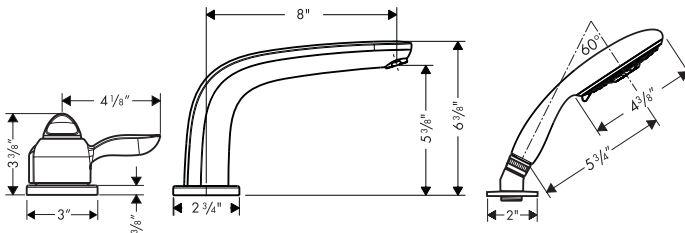
04127XX0



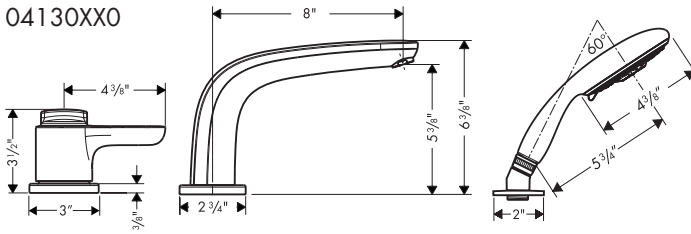
04128XX0



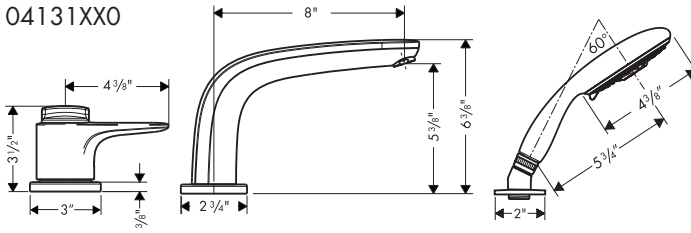
04129XX0



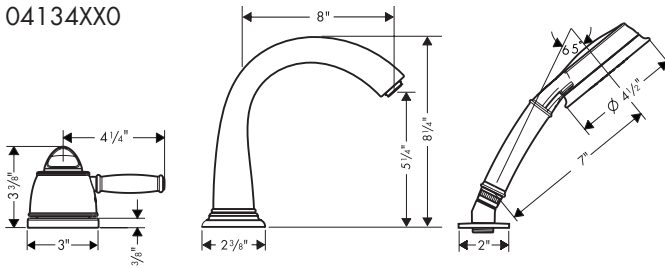
04130XX0



04131XX0



04134XX0



Technical Information

Recommended water pressure
Recommended hot water temp.
Max. hot water temp
Max. flow rate
Max. flow rate – handshower
Safety stop

45 - 72 psi
120° - 140° F*
165°F*
8 gpm
2.5 gpm
100° F

*Please know and follow all applicable local plumbing codes when setting the temperature on the water heater.

Installation Considerations

- For best results, Hansgrohe recommends that this unit be installed by a licensed, professional plumber.
- Please read over these instructions thoroughly before beginning installation. Make sure that you have all tools and supplies needed to complete the installation.
- The mounting surface must be installed and made watertight prior to installation.
- The rough must be installed prior to installation of this trim kit.
- Some areas have plumbing codes limiting the maximum output temperature. The high temperature limit stop may be reset to comply with these codes.

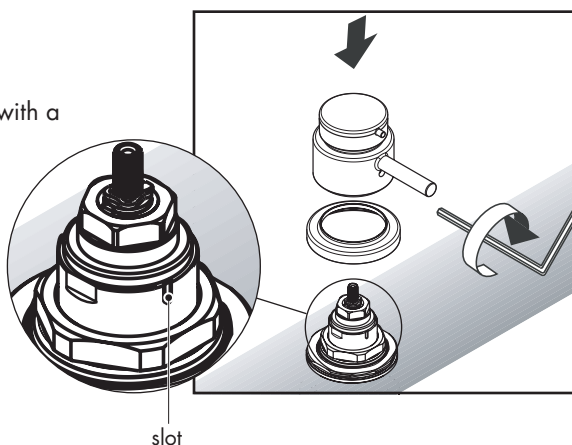
Install the valve trim

Push the escutcheon over the valve.

Install the handle. Tighten the screw with a 3 mm Allen wrench. The screw must engage the slot on the cartridge.

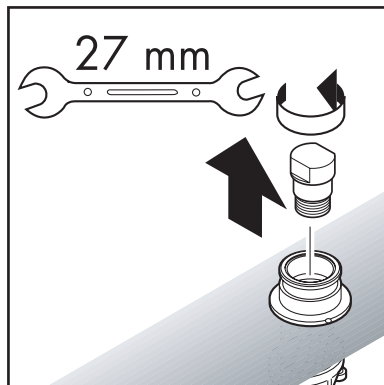
Justify the handle.

Set the high temperature limit stop.



Install the spout

Remove the plug.



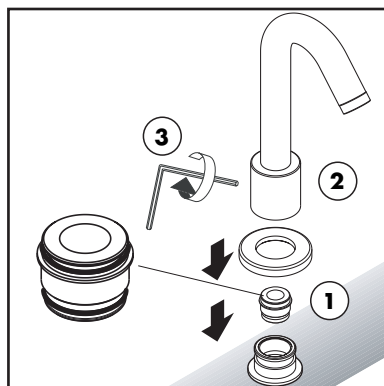
Push the spout sealing ring firmly into the spout adapter (1).

Push the escutcheon and spout over the adapter and sealing ring (2).

Tighten the screw using a 3 mm Allen wrench (3).

Do not over tighten the set screw.

 **Over tightening the screw may damage the o-rings, which will cause the spout to leak.**



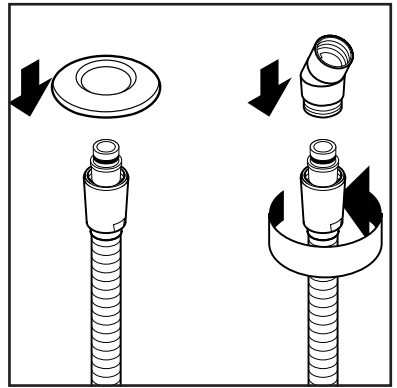
Install the handshower

Pull the end of the handshower hose from the holder.

Push the escutcheon over the end of the hose.

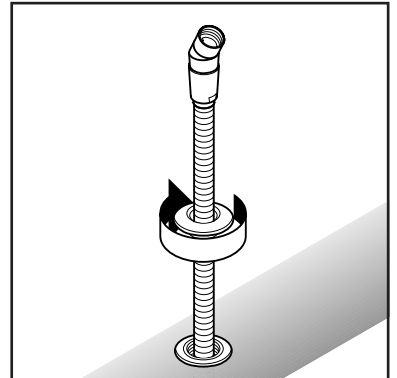
Push the elbow firmly over one end of the handshower hose.

Tighten the hose nut.



Thread the hose down through the handshower holder escutcheon and handshower holder.

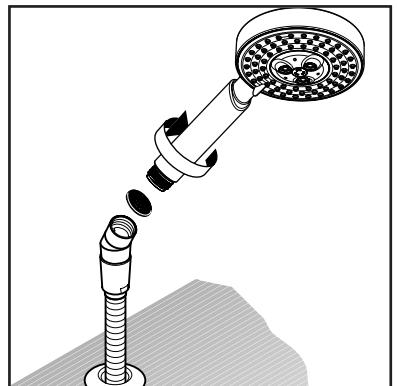
Tighten the escutcheon over the handshower holder.



Place the screen washer in the end of the elbow.

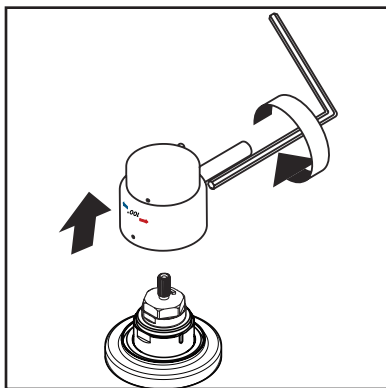
Connect the handshower to the elbow.

Lower the handshower and elbow into the holder.

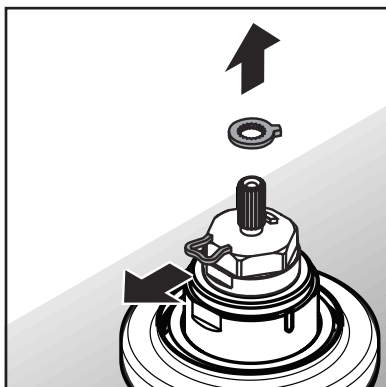


Set the high temperature limit stop

Turn the water on to the tub spout or handshower. Use a 3 mm Allen wrench to loosen the handle screw. Remove the handle from the valve.



Carefully remove the retainer clip and the limit stop ring.

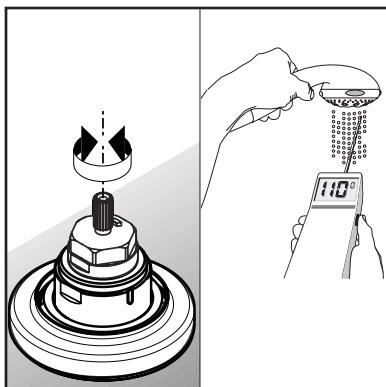


Turn the temperature control stem until the water is the desired high temperature, usually 110°F* .

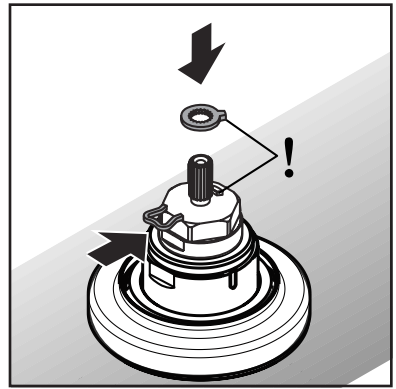
Turn the stem clockwise to make the water cooler, turn it counter-clockwise to make the water warmer.

*Know and follow all applicable local plumbing codes when setting the high temperature limit stop.

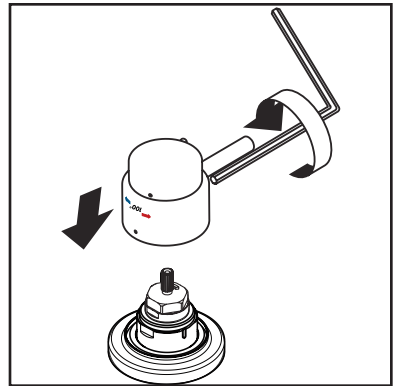
In Massachusetts, the maximum output temperature can be no higher than 112° F.



Install the stop ring so that it is against the stop – you should not be able to turn the stem further counter-clockwise. Install the retainer clip.

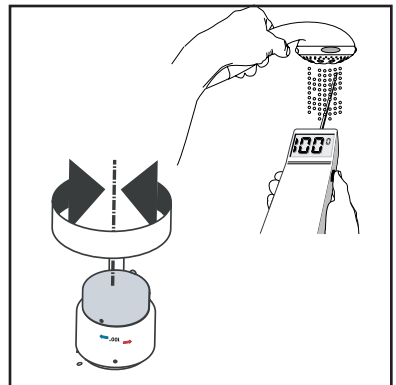


Install the handle. Tighten the screw. Justify the handle.



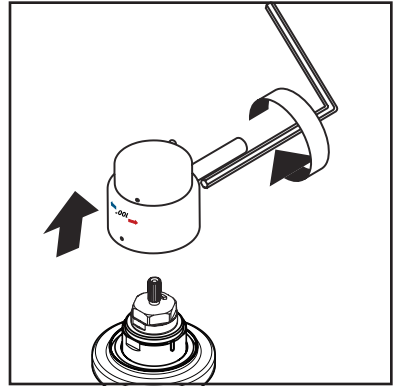
Justify the handle

Turn the water on to the tub spout or handshower. Place a thermometer in the water stream. Turn the temperature control knob until the output water temperature is 100°F. Turn the water off.

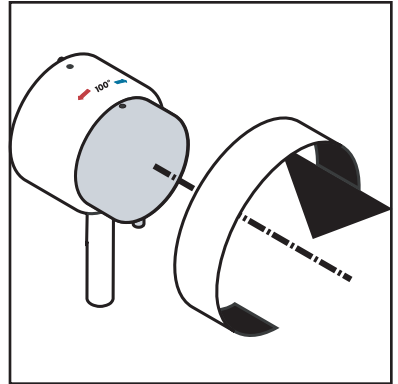


Loosen the handle screw with a 3 mm Allen wrench.

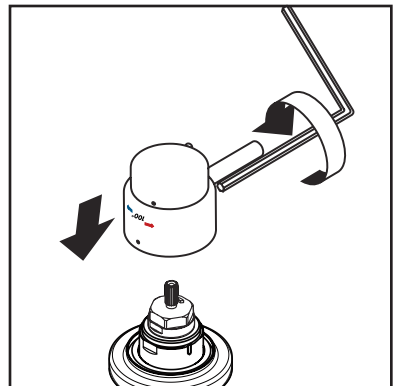
Remove the handle.



Hold the handle lever in one hand. With the other hand, turn the temperature control knob until the 100° mark is next to the indexing mark on the handle.



Install the handle on the valve. Tighten the screw.



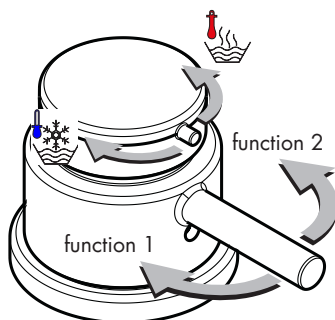
User Instructions - ThermoBalance valve

Turn the lever clockwise to send the water to one function, counter-clockwise to send the water to the second function. The center position is off.

Turn the temperature control knob clockwise to make the water cooler.

Turn the knob counter-clockwise to make the water warmer.

The knob will stop at the 100° position (the safety stop). To override the stop, press the knob down and continue turning it counter-clockwise.

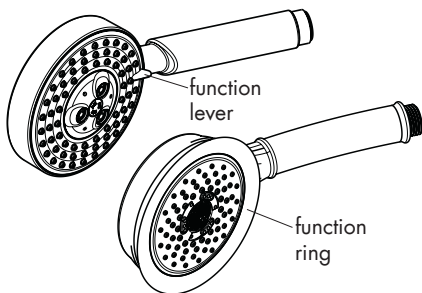


User Instructions - handshower

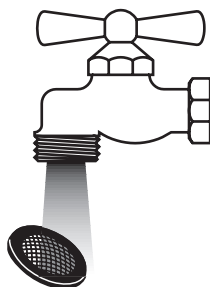
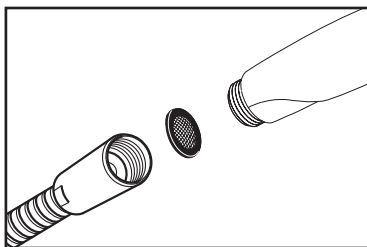
Raindance E 100 3-Jet, Raindance S 100

3-Jet: Push the function lever to the desired spray mode.

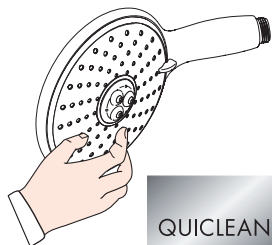
Croma C 100 3-Jet: turn the function ring to the desired spray mode.



If the flow of water decreases, remove and rinse the screen washer.



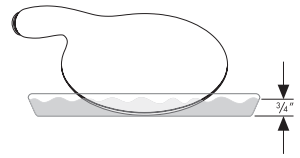
The handshower uses the Quiclean™ self-cleaning system. Rub across the spray channels with a finger or a sponge to dislodge any scale deposits.



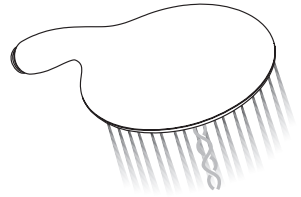
QUICLEAN

If scale deposits build up on the spray face, pour about $\frac{3}{4}$ " of a commercial scale remover, such as LimeAway™ or CLR™, into a shallow dish. Follow the label instructions with regard to dilution.

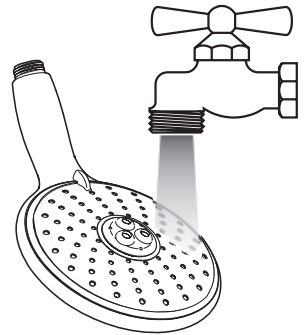
Soak the spray face for the amount of time specified in the label instructions.



Rinse the handshower with clear water.



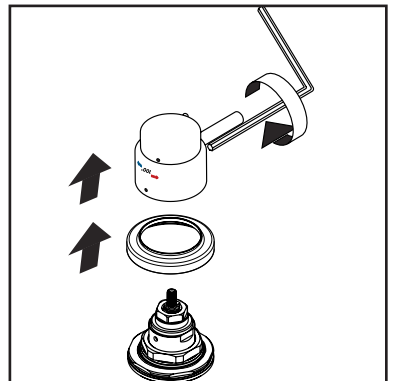
Install the handshower. Turn on the water and flush the handshower for at least one minute.



Maintenance: Clean the filters

! Turn off the water at the main before opening the valve.

Remove the handle and escutcheon.



Grasp the wrench flats on the cartridge stop unit with a wrench.

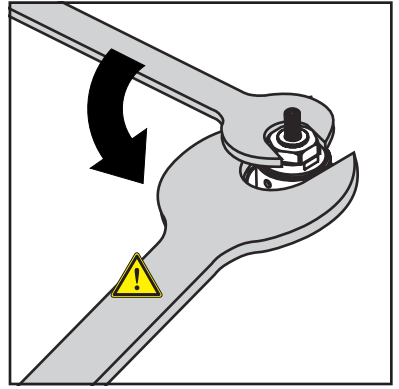


Hold the stop unit still with one wrench.

Use a second wrench or a 17mm deep socket wrench to unscrew and remove the thermostatic cartridge.



Failure to hold the stop unit steady may result in damage to the ceramic plates.



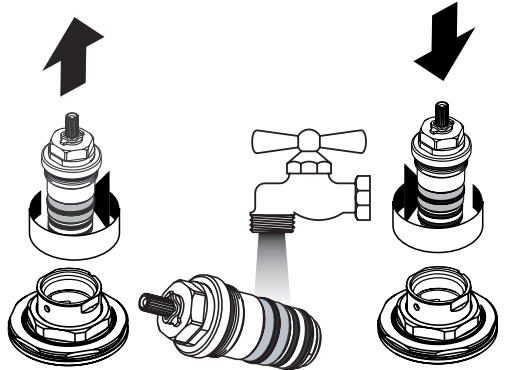
Rinse the debris from the filters, using a soft toothbrush if necessary. Do not attempt to remove the screens.

Lubricate the o-rings with white plumbers grease.

Hold the stop unit steady. Install the thermostatic cartridge.

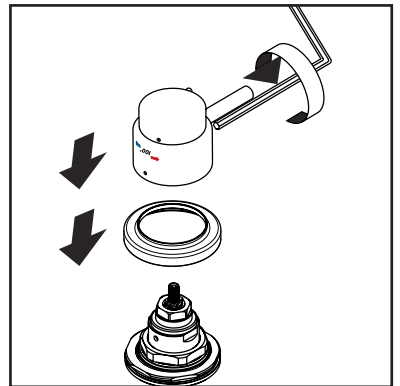


Failure to hold the stop unit steady may result in damage to the ceramic plates.

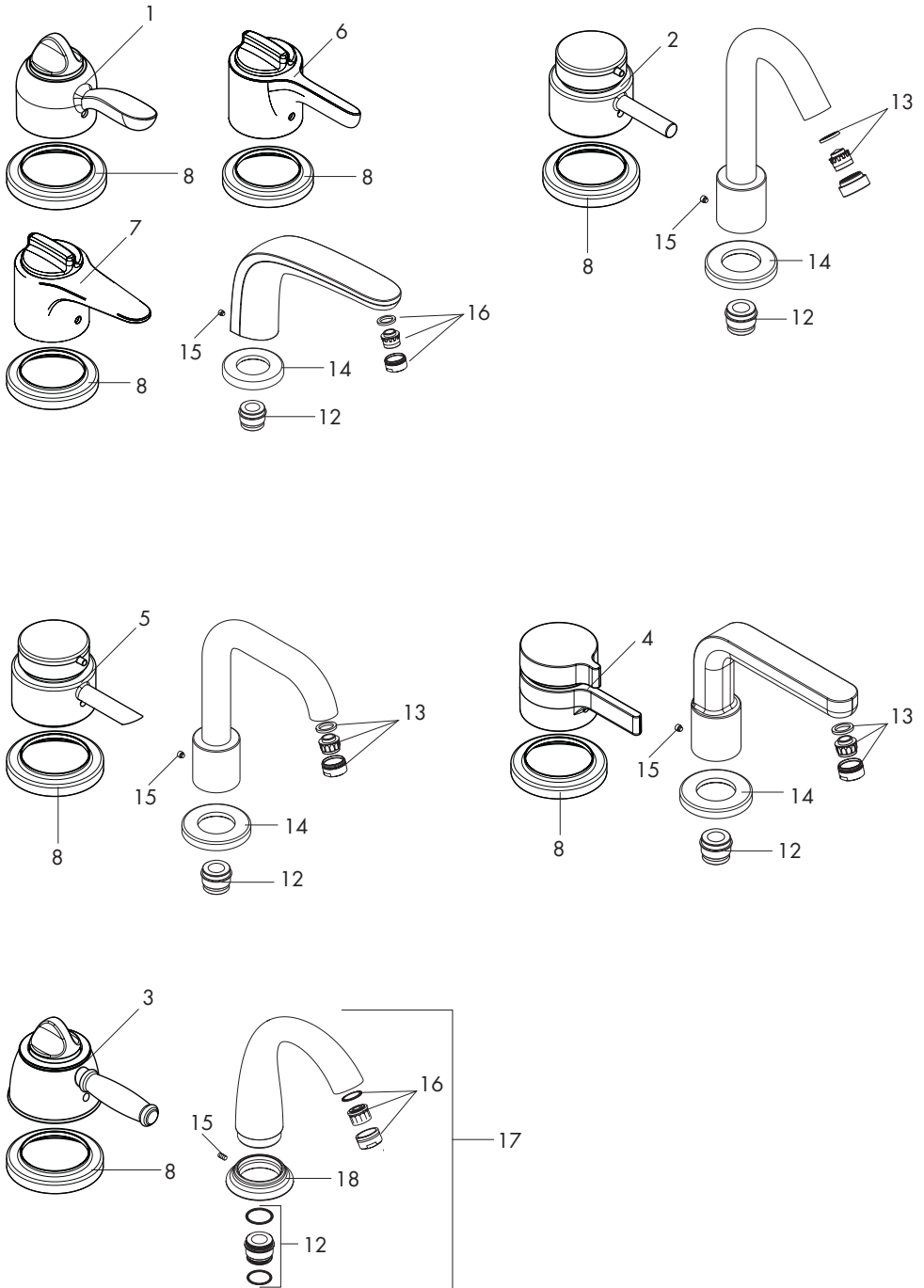


Install the escutcheon.

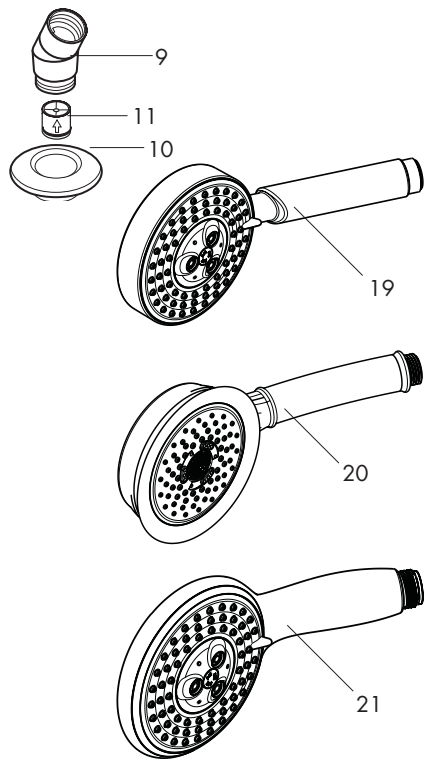
Justify the handle.



Replacement parts



1	Solaris E handle	88530XX0
2	Talis S handle	88549XX0
3	C handle	88610XX0
4	Metris S handle	88713XX0
5	Focus S handle	88714XX0
6	Allegro E handle	88719XX0
7	Metro E handle	88721XX0
8	handle escutcheon	88734XX0
9	elbow	28071XX0
10	handshower escutcheon	97159XX0
11	check valve	94074000
12	spout sealing ring	88512000
13	aerator	13956XX0
14	spout escutcheon	97779XX0
15	screw	96029000
16	aerator	13914XX0
17	C spout	88604XX0
18	escutcheon for C spout	88735XX0
19	S 100 3-Jet handshower	28504XX1
20	C 100 3-Jet handshower	04072XX0
21	E 100 3-Jet handshower	28502XX1



XX = color code
00 = chrome
62 = oil rubbed bronze
82 = brushed nickel
83 = polished nickel

Troubleshooting

Problem	Possible cause	Solution
Valve outputs both hot and cold water, but not mixed	Supplies are reversed	Disconnect supplies from valve, reconnect to correct inlets
Loss of pressure as water is made warmer or cooler	Filters clogged	Clean the filters
Water drips constantly from spout or handshower	Ceramic plates in stop unit damaged	Replace cartridge.
Temperature is erratic	Thermostatic cartridge dirty or faulty	Clean the filters. If cleaning doesn't help, replace the thermostatic cartridge
Handle turns freely but doesn't turn water on or off	Handle not installed correctly or handle screw not tightened.	Reinstall handle. Make sure that the screw engages the slot. Tighten the handle screw.

Cleaning Recommendation for Hansgrohe Products

Modern lavatory faucets, kitchen faucets, and showers consist of very different materials to comply with the needs of the market with regard to design and functionality. To avoid damage and returns, it is necessary to consider certain criteria when cleaning.

Cleaning Materials for Faucets and Showers

Acids are a necessary ingredient of cleaning materials for removing lime, however please pay attention to the following points when cleaning faucets and showers:

- Only use cleaning materials which are explicitly intended for this type of application.
- Never use cleaning materials which contain hydrochloric, formic, phosphoric, or acetic acid, as they cause considerable damage.
- Never mix one cleaning material with another.
- Never use cleaning materials or appliances with an abrasive effect, such as unsuitable cleaning powders, sponge pads, or micro fiber cloths.

Cleaning Instructions for Faucets and Showers

Please follow the cleaning material manufacturer's instructions. In addition, pay attention to the following points:

- Clean the faucets and showers as and when required
- Use the amount of cleaning product and the amount of time recommended by the manufacturer. Do not leave the cleaner on the fixture longer than necessary.
- Regular cleaning can prevent calcification.
- When using spray cleaners, spray first onto a soft cloth or sponge. Never spray directly onto the faucet as droplets can enter openings and gaps and cause damage.
- After cleaning, rinse thoroughly with clean water to remove any cleaner residue.

Important

Residues of liquid soaps, shampoos, and shower foams can also cause damage, so rinse with clean water after using.

Please note: if the surface is already damaged, the effect of cleaning materials will cause further damage.

Components with damaged surfaces must be replaced or injury could result.

Damage caused by improper treatment is not covered under the warranty.

Limited Lifetime Consumer Warranty

This product has been manufactured and tested to the highest quality standards by Hansgrohe, Inc. ("Hansgrohe"). This warranty is limited to Hansgrohe products which are purchased by a consumer in the United States after March 1, 1996, and installed in either the United States or Canada.

WHO IS COVERED BY THE WARRANTY

This warranty extends to the original consumer purchaser only. This warranty is non-transferable.

WHAT IS COVERED BY THE WARRANTY

This warranty covers only your Hansgrohe manufactured product. Hansgrohe warrants this product against defects in material or workmanship as follows: Hansgrohe will repair at no charge for parts only or, at its option, replace any product or part of the product that proves defective because of improper workmanship and/or material, under normal installation, use, service and maintenance. If Hansgrohe is unable to provide a replacement and repair is not practical or cannot be timely made, Hansgrohe may elect to refund the purchase price in exchange for the return of the product.

LENGTH OF WARRANTY

Replacement or repaired parts of products will be covered for the term of this warranty as stated in the following two sentences. If you are a consumer who purchased the product for use primarily for personal, family, or household purposes, this warranty extends for as long as you own the product and the home in which the product is originally installed. If you purchased the product for use primarily for any other purpose, including, without limitation, a commercial purpose, this warranty extends only (i) for 1 year, with respect to Hansgrohe and Commercial products, and (ii) for 5 years, with respect to AXOR products.

THIS WARRANTY DOES NOT COVER, AND HANSGROHE WILL NOT PAY FOR:

- A. Conditions, malfunctions or damage not resulting from defects in material or workmanship.
- B. Conditions, malfunctions or damage resulting from (1) normal wear and tear, improper installation, improper

maintenance, misuse, abuse, negligence, accident or alteration, or (2) the use of abrasive or caustic cleaning agents or "no-rinse" cleaning products, or the use of the product in any manner contrary to the product instructions. (3) Conditions in the home such as excessive water pressure or corrosion.

- C. Labor or other expenses for the disconnection, deinstallation, or return of the product for warranty service, or for installation or reinstallation of the product (including but not limited to proper packaging and shipping costs), or for installation or reinstallation of the product.
- D. Accessories, connected materials and products, or related products not manufactured by Hansgrohe.

TO OBTAIN WARRANTY PARTS OR INFORMATION

Contact your Hansgrohe retailer, or contact Technical Service at:

Hansgrohe Inc.
1492 Bluegrass Lakes Parkway
Alpharetta GA 30004
Toll-free (800) 334-0455.

In requesting warranty service, you will need to provide

1. The sales receipt or other evidence of the date and place of purchase.
2. A description of the problem.
3. Delivery of the product or the defective part, postage prepaid and carefully packed and insured, to Hansgrohe Inc. 1492 Bluegrass Lakes Parkway, Alpharetta, Georgia 30004, Attention: Technical Service, if required by Hansgrohe.

When warranty service is completed, any repaired or replacement product or part will be returned to you postage prepaid.

EXCLUSIONS AND LIMITATIONS

REPAIR OR REPLACEMENT (OR, IN LIMITED CIRCUMSTANCES, REFUND OF THE PURCHASE PRICE) AS PROVIDED UNDER THIS WARRANTY IS THE EXCLUSIVE REMEDY OF THE PURCHASER. HANSGROHE NEITHER ASSUMES NOR AUTHORIZES ANY PERSON TO CREATE FOR IT ANY OBLIGATION OR LIABILITY IN CONNECTION WITH THIS PRODUCT.

HANSGROHE SHALL NOT BE LIABLE TO PURCHASER OR ANY PERSON FOR ANY INCIDENTAL, SPECIAL, OR CONSEQUENTIAL DAMAGES, ARISING OUT OF BREACH OF THIS WARRANTY OR ANY IMPLIED WARRANTY (INCLUDING MERCHANTABILITY).

Some States do not allow the exclusion or limitation of incidental or consequential damages, so the above limitation or exclusion may not apply to you. This warranty gives you specific legal rights, and you may have other rights which vary from State to State. You may be required by law to give us a reasonable opportunity to correct or cure any failure to comply before you can bring any action in court against us under the Magnuson-Moss Warranty Act.

PRODUCT INSTRUCTIONS AND QUESTIONS

Upon purchase or prior to installation, please carefully inspect your Hansgrohe product for any damage or visible defect. Prior to installing, always carefully study the enclosed instructions on the proper installation and the care and maintenance of the product. If you have questions at any time about the use, installation, or performance of your Hansgrohe product, or this warranty, please call or write to us or call us toll-free at 800 334 0455.

hansgrohe

Hansgrohe, Inc. • 1490 Bluegrass Lakes Parkway • Alpharetta, GA 30004
Tel. 770-360-9880 • Fax 770-360-9887

www.hansgrohe-usa.com