

Talis C

HG TALIS C KITCHEN FAUCET

Surfaces: **chrome** Article Number: **04215000**



Description

product features

- swivel range 150°
- with telescopic function (330 - 500 mm)
- vertical handle position
- normal and spray jet
- lockable shower spray, spray returns automatically through handle closing
- MagFit magnetic shower support
- quick connect shower hose
- flow rate 8.4 l/min
- ceramic cartridge
- integrated non-return valve
- suitable for continuous flow water heaters

consists of

- 10° Basplate for Allegro & Allegro Gourmet (#14019USA)

Optional Accessoires

- HG TALIS C BAR KITCHEN FAUCET (#04217USA)

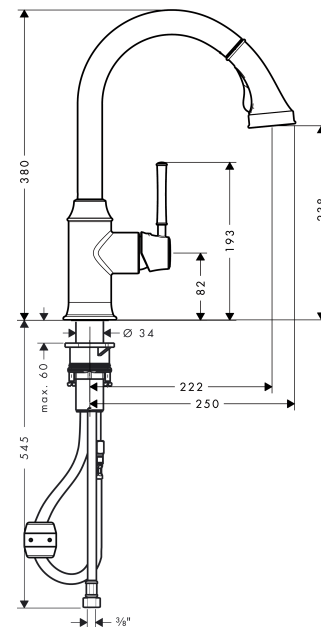
Technology



Product image



Scale drawing

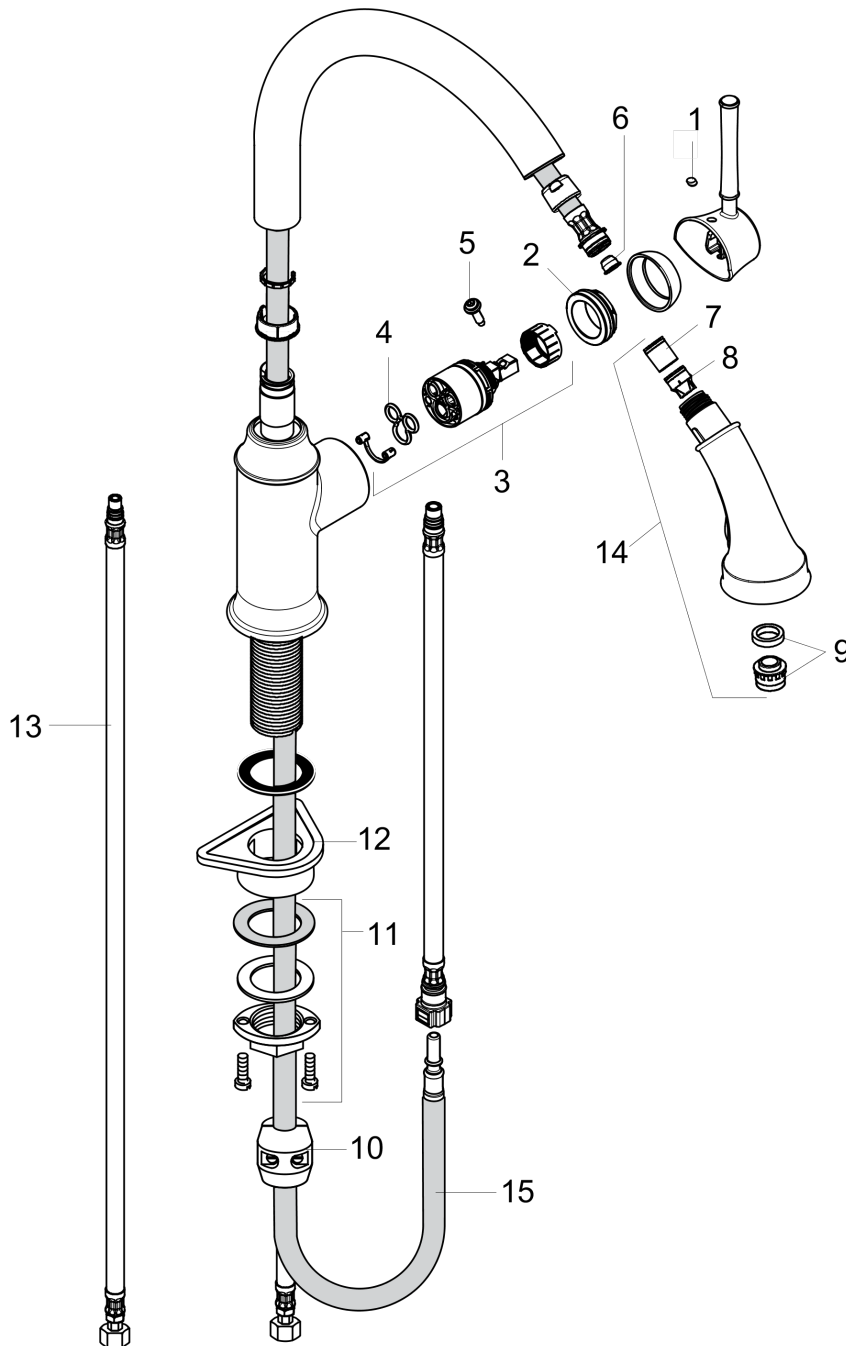


Talis C
HG TALIS C KITCHEN FAUCET
Surfaces: **chrome** Article Number: **04215000**



Exploded Drawing

Year of production: >08/10



Talis C
HG TALIS C KITCHEN FAUCET

 Surfaces: **chrome** Article Number: **04215000**

Spare part list

Year of production: >08/10

Pos.	Description	Article Number	PC	PU
1	screw cover	96338000	1	1
2	nut	97209000	5	1
3	cartridge, assy	92730000	11	1
4	seal	95008000	3	1
5	locking screw for handle	95140000	2	1
6	filter	97735000	1	1
7	non return valve	95340000	8	1
8	set of non return valves DW 15	97350000	6	1
9	aerator M24x1 (25 l/min)	13914000	0	1
10	weight	98551000	6	1
11	fixing set	95049000	7	1
12	support	97523000	2	1
13	connection hose 35½" M8x0,75 3/8"	96316001	9	1
14	handspray	95899000	16	1
15	hose	88624000	0	1
a	handle	95900000	10	1
b	flange	95498000	4	1
c	spout cpl.	95897000	15	1