

Axor Citterio

Single lever basin mixer for concealed installation with spout 225 mm and escutcheons wall-mounted

Surfaces: **chrome** Article Number: **39116000**



Description

product features

- handle can be positioned on the right or left, depends on the basic set installation
- projection 220 mm
- normal spray
- flow rate: 5 l/min
- joystick ceramic cartridge
- non-closing flush grated valve
- connection dimension: DN15
- P-IX 18117/10
- DVGW NW-6506BR5789
- ETA VA 1.42/19221
- WRAS 1305018
- SVGW 0611-5135

Mandatory Accessoires

- Basic set for single lever basin mixer for concealed installation wall-mounted (#13622XXX)

Optional Accessoires

- Extension set 25 mm (#31971XXX)
- Flowstar design trap (#52100XXX)

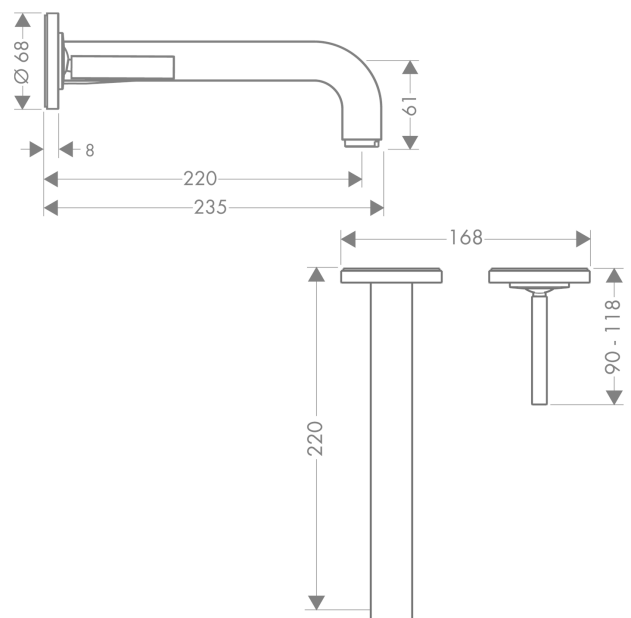
Technology



Product image



Scale drawing



Axor Citterio

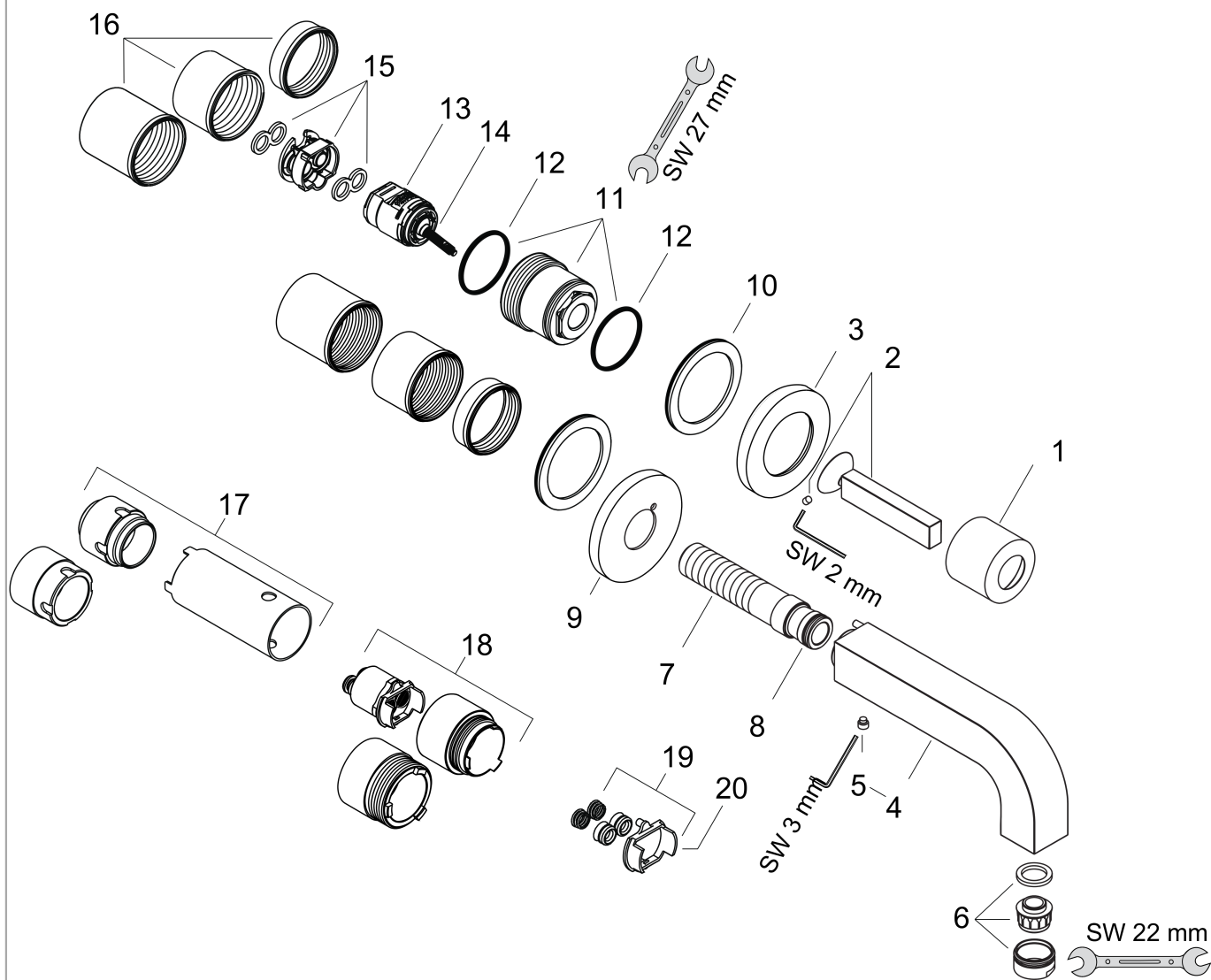
Single lever basin mixer for concealed installation with spout 225 mm and escutcheons wall-mounted

Surfaces: **chrome** Article Number: **39116000**



Exploded Drawing

Year of production: >01/10



Axor Citterio

Single lever basin mixer for concealed installation with spout 225 mm and escutcheons wall-mounted



Surfaces: **chrome** Article Number: **39116000**

Spare part list

Year of production: >01/10

Pos.	Description	Article Number	PC	PU
1	flange	96908000	9	1
2	handle	39092000	15	1
3	escutcheon for handle	96909000	12	1
4	spout 220 mm	97239000	21	1
5	hollow set screw M6x6	97660000	1	1
6	aerator M24x1 (5 l/min)	13185000	0	1
7	connecting thread G½	97228000	10	1
8	O-ring 16x2,5	98134000	1	1
9	escutcheon	98720000	12	1
10	washer	97600000	4	1
11	nut	95645000	9	1
12	O-ring 34x2	98383000	2	1
13	cartridge, assy	96339000	12	1
14	O-ring 21,95x1,78	95169000	1	1
15	adapter for cartridge	95644000	5	1
16	fixing set	97971000	9	1
17	extension set for 13622180	31971000	0	1
18	extension set for 38111180	38982000	16	1
19	conversion kit	95643000	9	1
20	adapter for cartridge	97280000	2	1
a	pop up waste	50001000	0	1
b	base body	13622180	0	1
c	service tool for disassembling the handle	92124000	15	1