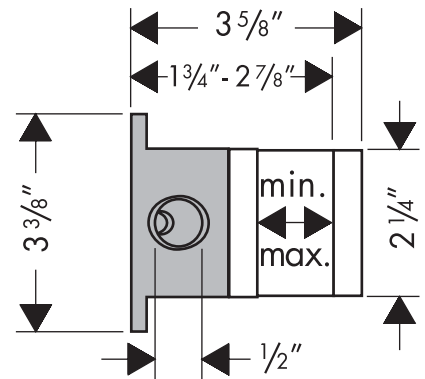
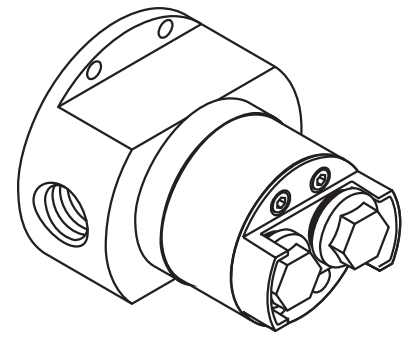




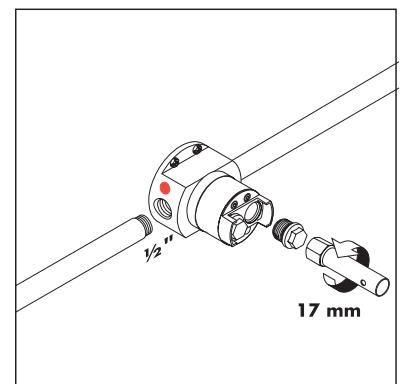
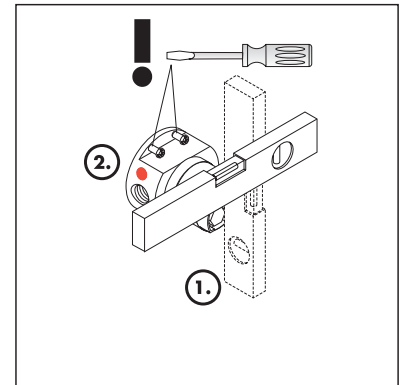
Hansgrohe Product Service Philippe Starck Shower Column 10902181 Rough Installation

- This rough is for use with trim kits 10905XX1, 10907XX1 and 10912XX1.
- Trim kit 10912XX1 incorporates a thermostatic mixing valve, and is thus anti-scald.
- Trim kits 10905XX1 and 10907XX1 are not anti-scald. If this protection is desired or required by local plumbing codes, install remote pressure balancing valve 13418181 to the hot and cold supplies before they go into the 10902181 rough.
- For proper fit of the trim, the outside surface of the finished wall must fall between the minimum and maximum markings on the flush insert.
- The 10902181 has 1/2" IPS connections.
- Backflow prevention is provided by two check valves in this rough and a check valve on the handspray outlet on the trim.



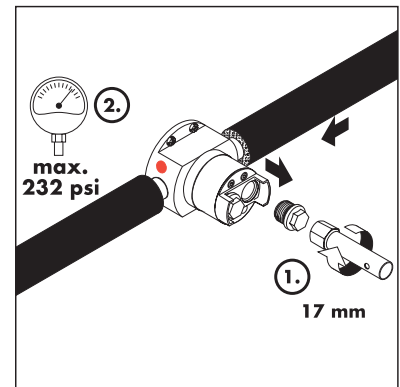
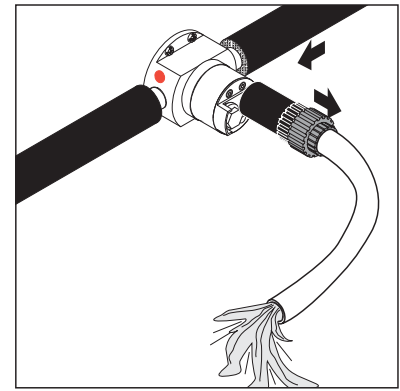
Installation:

- For support and stability, the 10902181 rough must be screwed to a header board.
- For proper operation of the column, install the rough so that the hot port (marked in red) is on the left, and the cold port is on the right.
- Make sure that the valve is level in all planes.
- Install the hot and cold lines to the rough.



Flush and pressure test using the flush insert:

- Remove the plug from the cold water outlet using a 17 mm deep socket wrench.
- Attach a hose bibb and hose. Position the hose so that the water will be carried to a safe location.
- Turn the water on and flush the cold line for at least 5 minutes. Turn off the water and replace the plug.
- Turn the cold water on. Inspect all connections for leaks. Turn off the water.
- Flush and pressure test the hot water line.
- Before installing the wall surface, re-confirm that the rough is level in all planes.



- Install and finish the wall. To insure proper fit of the trim, ***the outside surface of the finished wall must fall between the "minimum" and "maximum" lines on the plaster shield.***

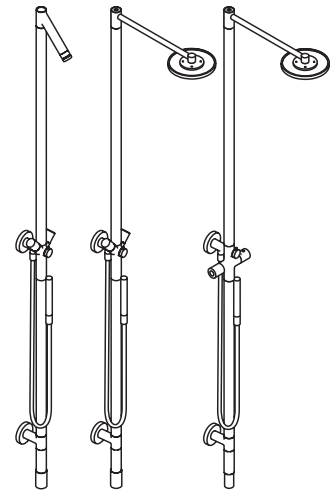


Hansgrohe Product Service
Starck Shower Column 10905XX1, 10907XX1
Starck Shower Column with Thermostatic Mixer 10912XX1

Available in chrome (00) and satinox (81)

Installation Considerations:

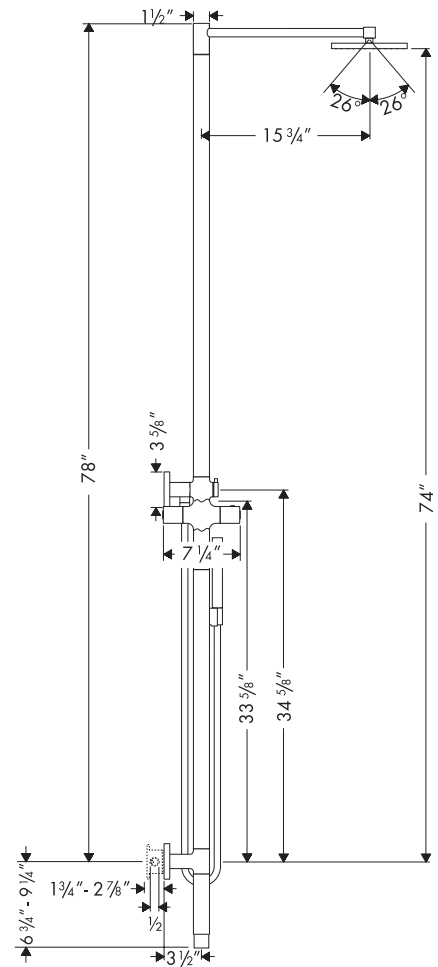
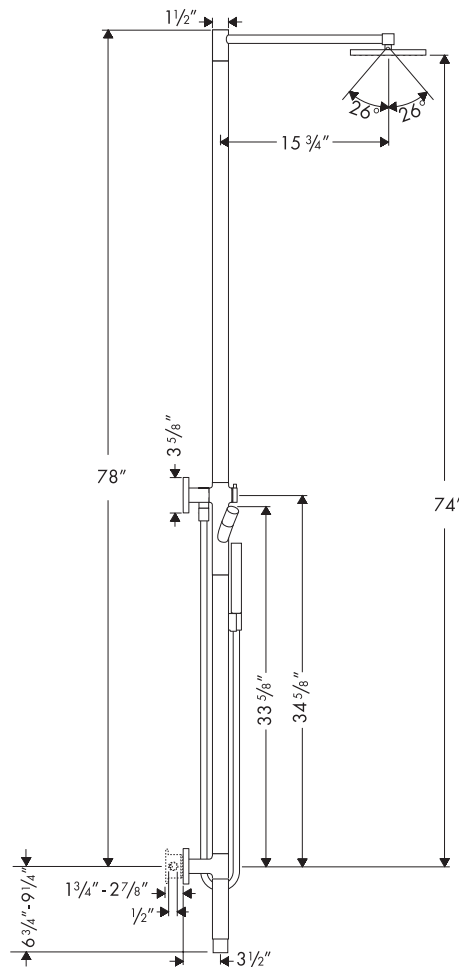
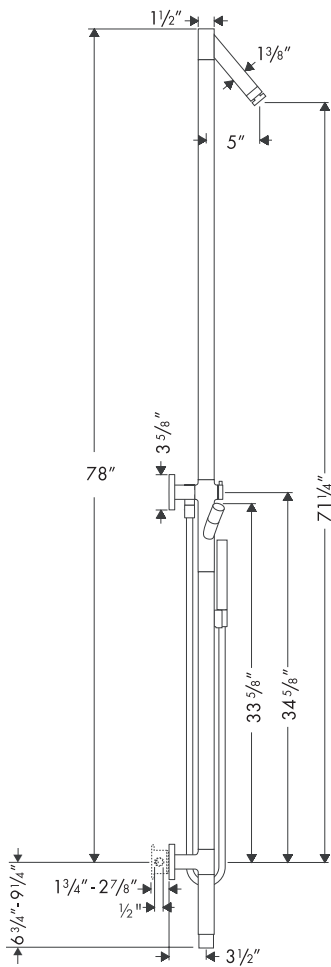
- Rough-in 10902181 must be installed.
- The finished wall must be complete.
- The wall must fall between the "minimum" and "maximum" lines on the plaster shield.
- Backflow prevention is furnished by check valves.



10905XX1

10907XX1

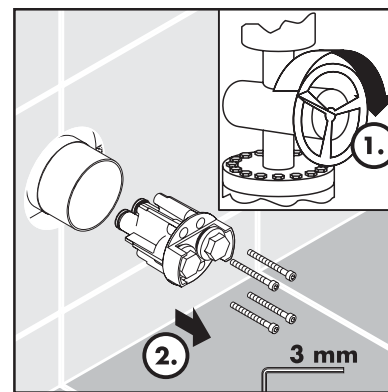
10912XX1



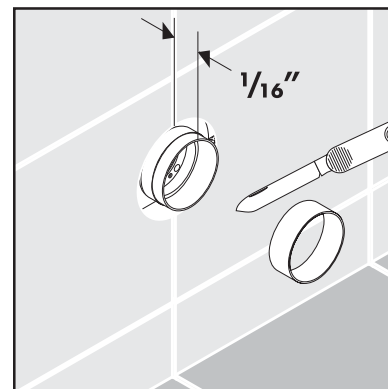


Installation:

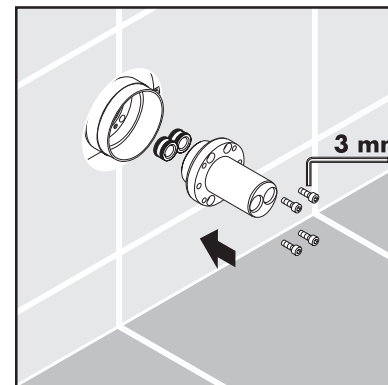
- Turn off the water at the supply.
- Remove the flush unit.



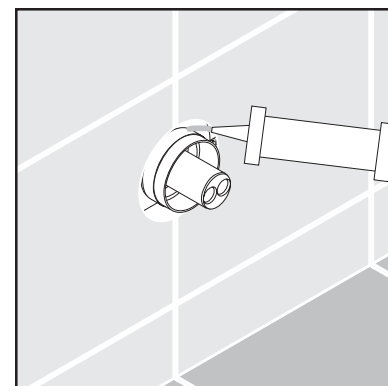
- Cut the plaster shield 1/16" from the surface of the finished wall.



- Install the sealing rings and sleeve. The screws require a 3 allen wrench (included).

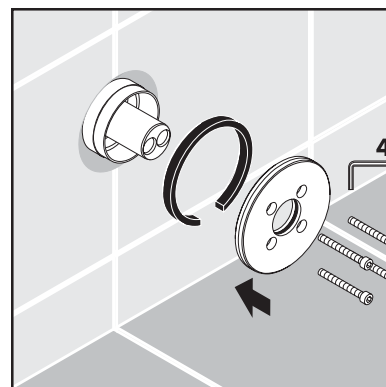


- Seal the wall around the rough with a non-staining waterproof bathroom sealant suitable for the wall surface

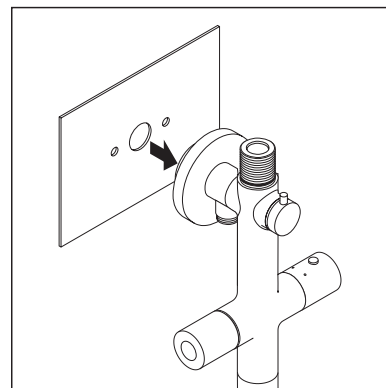




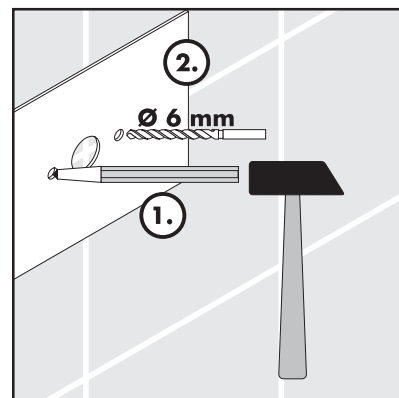
- Install the rough-in plate with neoprene gasket, using the hex-head screws provided.



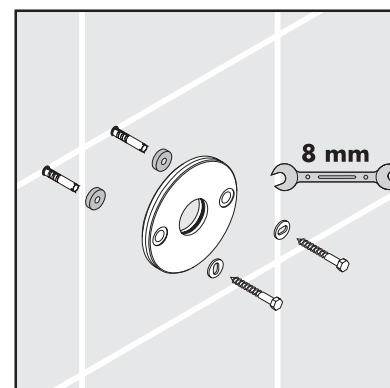
- Attach the template to the upper mounting bracket. Have an assistant hold the column against the wall at the proper position. Make sure that the column is level.



- Mark the positions of the screw holes. Remove the column and the template.
- Drill the holes with a 6 mm bit suitable for the wall surface.

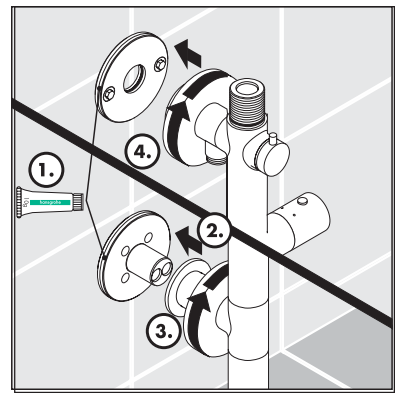


- Install the anchors. Seal the wall around the anchors with a non-staining, waterproof bathroom sealant suitable for the wall surface.
- Install the upper mounting plate, using the washers, nuts, and screws provided. An 8 mm wrench (not included) is useful for tightening the screws.

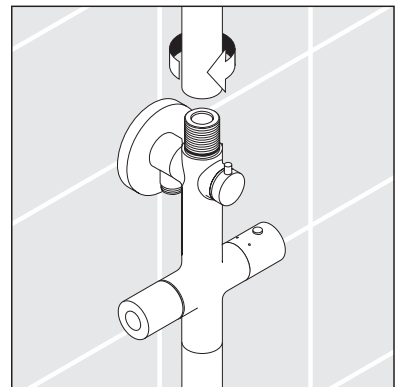




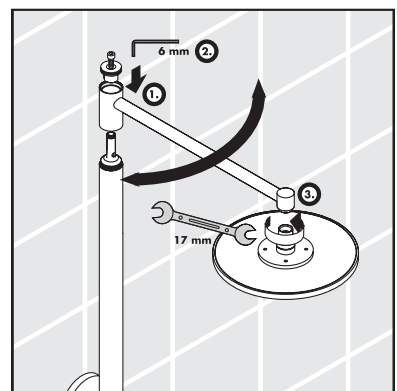
- Use the provided silicon grease to lubricate the threads on the top and bottom mounting brackets.
- Position the column over the top and bottom mounting points and press firmly into place. Secure the column by rotating the trim flanges clockwise.



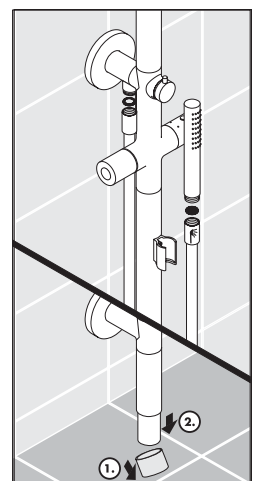
- Install the top of the column.



- 10907XX1 and 10912XX1: Attach the shower arm to the upper tube. Rotate the arm so that it is in the desired position. Carefully attach the showerhead.



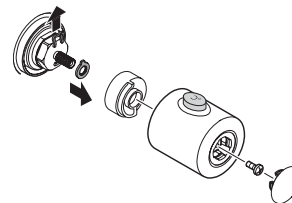
- Remove the rubber cap from the bottom of the column. Gently guide the adjustable column base to the floor.
- Install the handshower hose and handshower, using the hose washers provided. Guide the hose into the handshower holder and lower the handshower until the hose nut is resting firmly in the holder.





Set the high temperature limit stop (10912XX1 only)

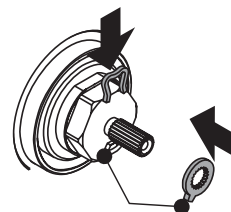
- Remove the thermostatic mixer handle and the handle stop ring. Remove the clip and the high temperature limit stop ring from the valve stem.



- Divert the water to the handshower. Turn on the water with the volume control. Place a thermometer in the water stream. Turn the thermostatic mixer valve stem until the water is 110° F*.

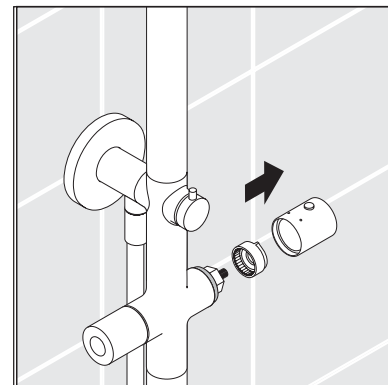


- Turn off the water. Replace the high temperature limit stop ring so that it hits the high temperature limit stop.
- Justify and install the handle.

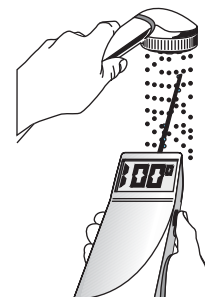


Justify the thermostatic mixer handle (10912XX1 only)

- Remove the thermostatic mixer handle and the handle stop ring (if not already done).

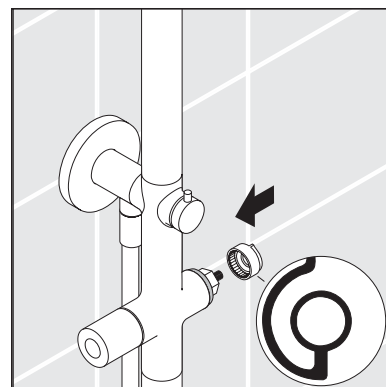


- Divert the water to the handshower. Turn on the water with the volume control. Place a thermometer in the water stream. Turn the thermostatic mixer valve stem until the water is 100°F.

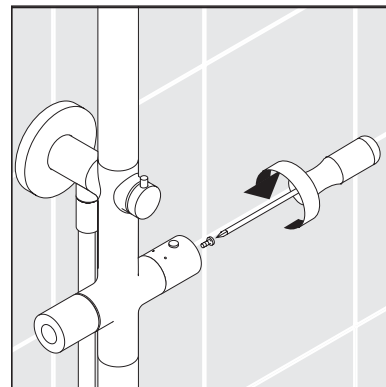




- Replace the handle stop ring so that the tab is at the 12:00 position.

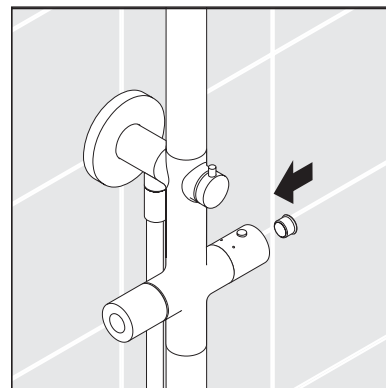


- Replace the handle with the red safety stop override button at the 12:00 position. Tighten the handle screw.



- Replace the screw cover.

*The plumbing codes in some areas require that the maximum output temperature for a shower valve be 110°F or less. Know and follow all applicable local codes when setting the high temperature limit stop.



User Instructions - 10912XX1

- The left handle is the volume control. It turns the water on and off.
- The right handle is the temperature control. Turn it clockwise to obtain cooler water, counter-clockwise to obtain warmer water. The handle will stop when the water is 100°F (this is the safety stop). To obtain water warmer than 100°, press the red safety stop override button, and continue turning the handle counter-clockwise.

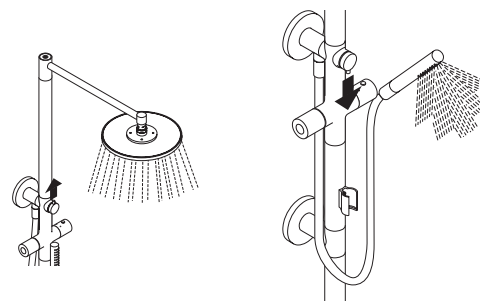
User Instructions - 10905XX1, 10907XX1

- The left handle controls the hot water, the right handle controls the cold water.



Using the Diverter (all models)

- Turn the diverter so that the pin faces upward to obtain water from the showerhead. Turn the diverter so that the pin faces downward to obtain water from the handshower.

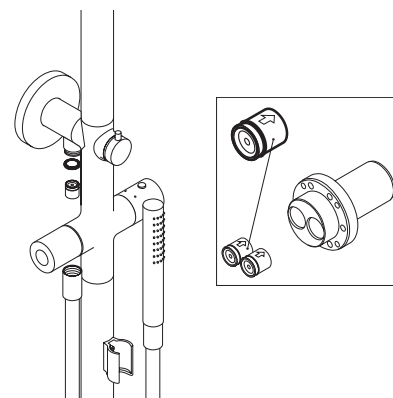


Limescale Removal (all models)

- The showerhead and the handshower use the Rubit!™ self-cleaning system. The spray channels are lined with a soft material that resists mineral buildup. To clear any deposits, turn the water on lightly, and rub across the spray channels with a finger or a sponge.

Check Valve Maintenance (all models)

- The three check valves on the Starck column should be removed, inspected, and cleaned yearly to insure that they continue to provide protection against back siphonage. One check valve is located in the handshower outlet. Two check valves are located in the connector. Reinstall the check valves so that the arrows point in the direction of the water flow.



Thermoelement Maintenance - 10912XX1

- To maximize the life span of the thermoelement, run it through its complete range of temperatures (full hot to full cold) for several minutes weekly.

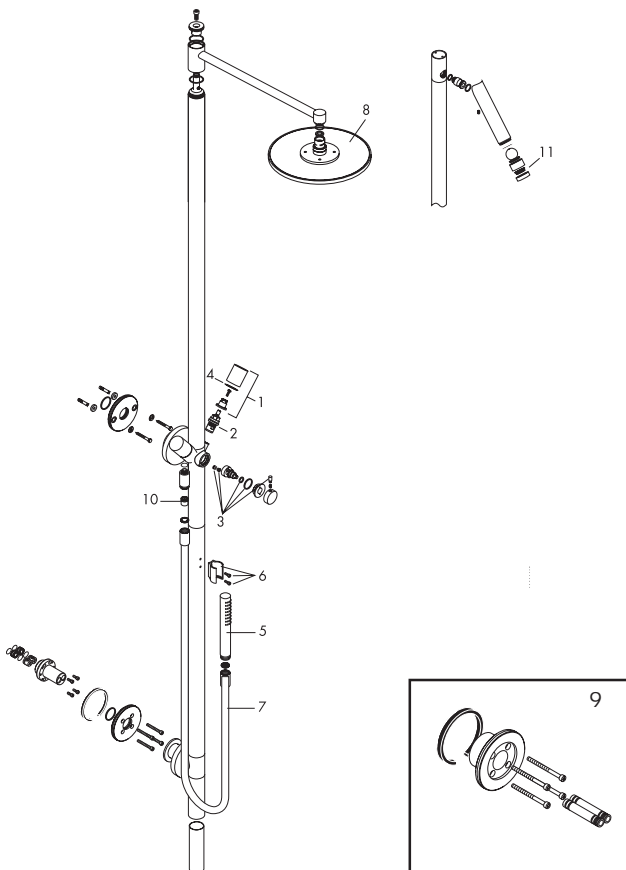
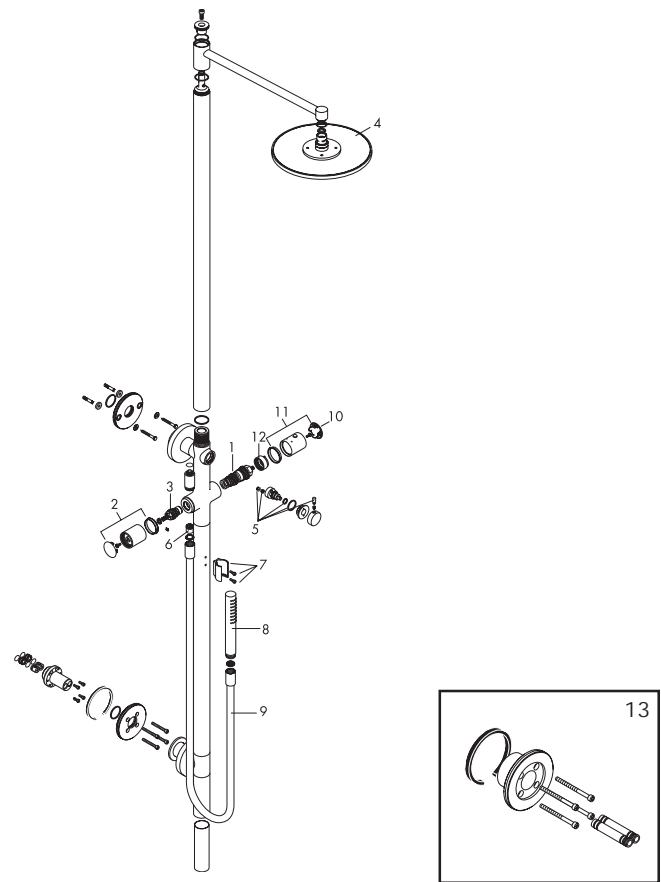
Troubleshooting - 10912XX1

Problem	Possible Cause	Solution
Poor water flow	Filters on thermoelement clogged Handshower screen washer clogged	Remove and clean thermoelement Remove and clean screen washer
Crossflow: hot water in cold water lines or vice versa, when column is not in use.	Check valves dirty or faulty	Remove and clean or replace check valves.
Output temperature does not correspond with handle	High temperature limit stop not set Handle not justified	Set high temperature limit stop Justify handle
Output temperature fluctuates	Thermoelement faulty	Replace thermoelement
Water is either all hot or all cold; does not mix	Column is cross connected	Reverse supplies before they enter the rough valve.
Showerhead or handshower drips when column is not in use.	Volume control cartridge faulty	Replace volume control cartridge.

Replacement Parts - 10912XX1

1	thermostat cartridge	94142000
2	volume control handle	96495XXX
3	volume control cartridge	94009000
4	plate showerhead	28494XXX
5	diverter service kit	96301XXX
6	check valve	94074000
7	handshower holder	96295000
8	handshower	28531XX1
9	handshower hose	28531XXX
10	handle cover	96483XXX
11	thermostat handle	96519XXX
12	handle stop ring	95041000
13	extension kit (optional)	10980000

XXX = color code
 000 Chrome
 810 Satinox



Replacement Parts - 10905XX1, 10907XX1

1	Handle	96318XXX
2	Cartridge	94149000
3	Diverter Service Set	96301000
4	Color ring set	96319000
5	Handshower	28531XXX
6	Handshower holder	96295000
7	Hose	28282XXX
8	plate showerhead	28494XXX
9	Extension kit (optional)	10980000
10	Check valve	94074000
11	Spray former	96302000

XXX = Color code 000 chrome
 810 satinox

Cleaning Recommendation for Hansgrohe Products

Modern faucetry and shower products utilize a combination of materials to comply with the needs of the market with regard to design and functionality.

To avoid damage, it is necessary to use some caution when cleaning. Damage caused by improper treatment is not covered under the Hansgrohe warranty.

Cleaning Materials for Faucets and Showers

- To remove lime scale, use only products made specifically for that purpose. Always follow the manufacturer's instructions when using.
- Do not use cleaners that contain hydrochloric, formic, acetic, or phosphoric acids, as these will cause considerable damage to finishes and to plastic components.
- Never mix cleaning materials.
- Never use cleaners containing abrasives. Do not use abrasive cleaning cloths, pads, or sponges.

Cleaning Procedures

- Clean your faucets and shower products as and when required. Regular cleaning will prevent scale buildup and water spotting.
- Follow the label instructions. Do not allow any cleaner to remain on the product for longer than necessary.
- When using spray cleaners, spray first onto a sponge or cloth – do not spray directly onto the product.
- After cleaning, rinse thoroughly with clear water to remove any cleaner residue.

Important

- Soap and shampoo residue can also cause damage to the product. Rinse well with clean water after use.
- If the surface is already damaged, harsh cleaning materials will cause further damage.

Limited Lifetime Consumer Warranty

This product has been manufactured and tested to the highest quality standards by Hansgrohe, Inc. ("Hansgrohe"). This warranty is limited to Hansgrohe products which are purchased by a consumer in the United States after March 1, 1996, and installed in either the United States or Canada.

WHO IS COVERED BY THE WARRANTY

This warranty extends to the original consumer purchaser only.

WHAT IS COVERED BY THE WARRANTY

This warranty covers only your Hansgrohe manufactured product. Hansgrohe warrants this product against defects in material or workmanship as follows: Hansgrohe will repair at no charge for parts only or, at its option, replace any product or part of the product which proves defective because of improper workmanship and/or material, under normal installation, use, service and maintenance. If Hansgrohe is unable to provide a replacement and repair is not practical or cannot be timely made, Hansgrohe may elect to refund the purchase price in exchange for the return of the product.

LENGTH OF WARRANTY

Replacement or repaired parts of products will be covered for the term of this warranty as stated in the following two sentences. If you are a consumer who purchased the product for use primarily for personal, family, or household purposes, this warranty extends for as long as you own the product and the home in which the product is installed. If you purchased the product for use primarily for any other purpose, including, without limitation, a commercial purpose, this warranty extends only (i) for 1 year, with respect to Interaktiv and Retroaktiv products, and (ii) for 5 years, with respect to AXOR, ShowerPower and Pharo products.

THIS WARRANTY DOES NOT COVER, AND HANSGROHE WILL NOT PAY FOR:

- A. Conditions, malfunctions or damage not resulting from defects in material or workmanship.
- B. Conditions, malfunctions or damage resulting from (1) improper installation, improper maintenance, misuse, abuse, negligence, accident or alteration, or (2) the use of abrasive or caustic cleaning agents or "no rinse" cleaning products, or the use of the product in any manner contrary to the product instructions.
- C. Labor or other expenses for the disconnection or return of the product for warranty service, or for installation or reinstallation of the product.
- D. Accessories or related products not manufactured by Hansgrohe.



TO OBTAIN WARRANTY SERVICE

Contact your Hansgrohe retailer, or write to Technical Service at:

Hansgrohe Inc.
1492 Bluegrass Lakes Parkway
Alpharetta GA 30004

Or, call Hansgrohe toll-free at (800) 334-0455.

In requesting warranty service, you will need to provide

1. The sales receipt or other evidence of the date and place of purchase.
2. A description of the problem.
3. Delivery of the product or the defective part, postage prepaid and carefully packed and insured, to Hansgrohe Inc. 1492 Bluegrass Lakes Parkway, Alpharetta, Georgia 30004, Attention: Technical Service, if required by Hansgrohe.

When warranty service is completed, any repaired or replacement product or part will be returned to you postage prepaid.

EXCLUSIONS AND LIMITATIONS

REPAIR OR REPLACEMENT (OR, IN LIMITED CIRCUMSTANCES, REFUND OF THE PURCHASE PRICE) AS PROVIDED UNDER THIS WARRANTY IS THE EXCLUSIVE REMEDY OF THE PURCHASER. HANSGROHE NEITHER ASSUMES NOR AUTHORIZES ANY PERSON TO CREATE FOR IT ANY OBLIGATION OR LIABILITY IN CONNECTION WITH THIS PRODUCT.

HANSGROHE SHALL NOT BE LIABLE TO PURCHASER OR ANY PERSON FOR ANY INCIDENTAL, SPECIAL, OR CONSEQUENTIAL DAMAGES, ARISING OUT OF BREACH OF THIS WARRANTY OR ANY IMPLIED WARRANTY (INCLUDING MERCHANTABILITY).

Some States do not allow the exclusion or limitation of incidental or consequential damages, so the above limitation or exclusion may not apply to you.

This warranty gives you specific legal rights, and you may have other rights which vary from State to State.

You may be required by law to give us a reasonable opportunity to correct or cure any failure to comply before you can bring any action in court against us under the Magnuson-Moss Warranty Act.

PRODUCT INSTRUCTIONS AND QUESTIONS

Upon purchase or prior to installation, please carefully inspect your Hansgrohe product for any damage or visible defect. Prior to installing, always carefully study the enclosed instructions on the proper installation and the care and maintenance of the product. If you have questions at any time about the use, installation, or performance of your Hansgrohe product, or this warranty, please call or write to us at the toll-free number and address printed above.

Hansgrohe Inc. • 1492 Bluegrass Lakes Parkway • Alpharetta GA 30004
Tel. 770 360 9880 • Fax 770 360-9887
www.hansgrohe-usa.com

