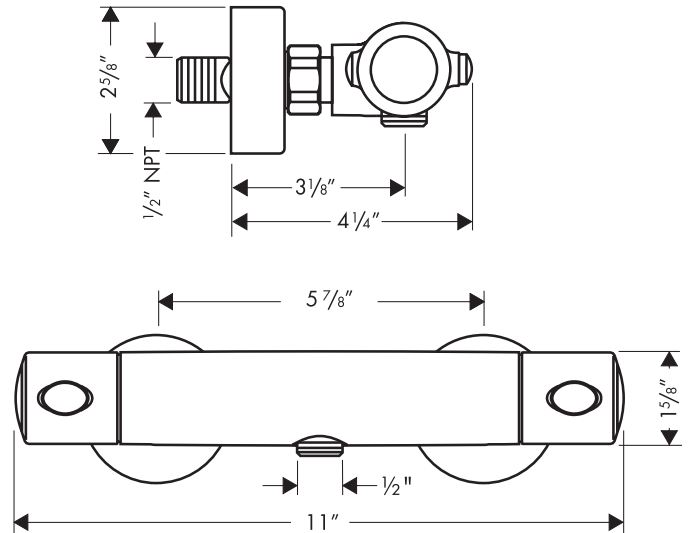
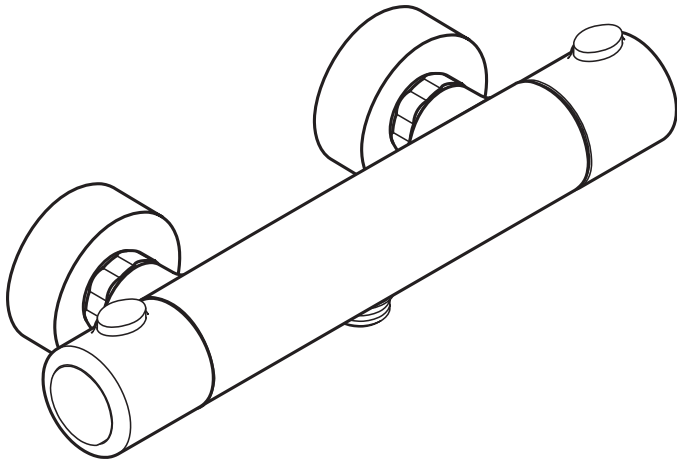


Ecostat 1001 SL Exposed Shower Fitting 13261XX1

Available in Chrome (00), Brushed Nickel (82)



Product Specification

Thermostatic mixing valve

Volume control with EcoStop™

Handshower connection on bottom (handshower not included)

1/2" NPT male inlets - requires 1/2" female fittings, recessed 3/16" behind surface of finished wall

Operating pressure: max. 145 psi

Recommended operating pressure: 14.5 - 72 psi

Hot water temperature: 120° F - 140° F*

Max. flow rate @ 45 psi: 5.3 gpm

Protection against back siphonage provided by check valves in the hot and cold inlets.

The high temperature limit stop may be reset to comply with local plumbing codes.

*Please know and follow all applicable local plumbing codes when setting the temperature on the water heater.

hansgrohe