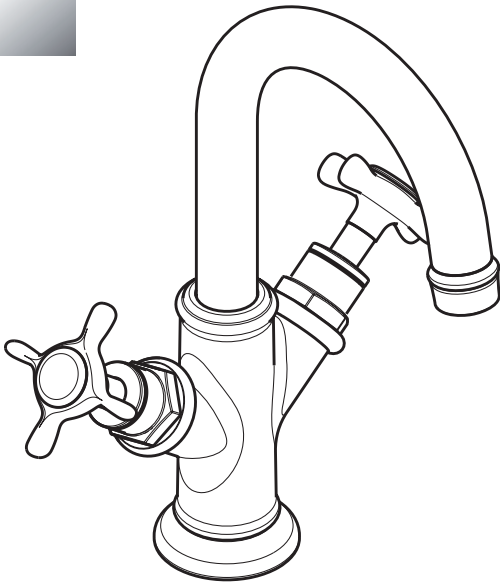


**ECO
RIGHT**



Product Features

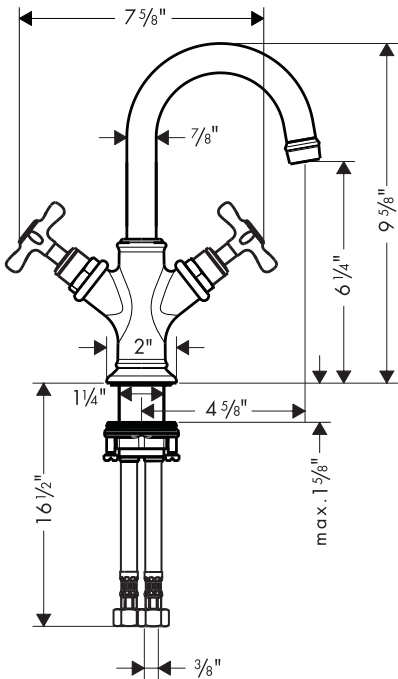
- Traditional cross handles with 90° ceramic cartridges
- Solid brass
- Single hole installation
- 3/8" supply hoses
- Spout swivels 150°
- Cascade no-clog aerator
- 1.5 gpm

Available Finishes

Chrome	16806001
Brushed Nickel	16806821

Optional Accessories

Cap kit set	16911XX0
-------------	----------



The measurements shown are for reference only.

Products and specifications shown are subject to change without notice.

Specification sheet revised 5/2009