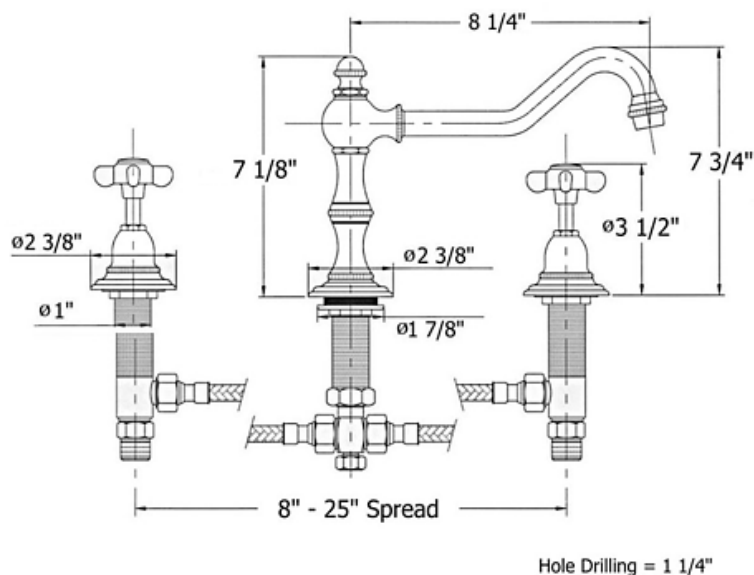


# 3021 – 'Royale' Three Hole Kitchen Mixer



## Technical Information

- Low Lead Compliance\*\*\*
- Requires 1 1/4" hole drilling
- Flow rate is 2.2 GPM
- 8" – 25" spread
- 1/2" ceramic cartridges
- Swiveling spout
- Does NOT include drain
- Available finishes are Polished Chrome(48), SoliBrass(49), Polished Brass(55), Polished Nickel(56), Brushed Nickel(57), Satin Nickel(60), Weathered Brass(70)
- Please see Cleaning Instructions on Herbeau Website: <http://www.herbeau.com/CleaningAll.pdf> for Finish Care and Maintenance Information.

Please follow example when ordering parts for 'Royale' Mixer.

- To order part#36 – 'T' Assembly
  - 9302136XX
- Please substitute finish number needed in place of XX.
- To order a part that is not finished use 00

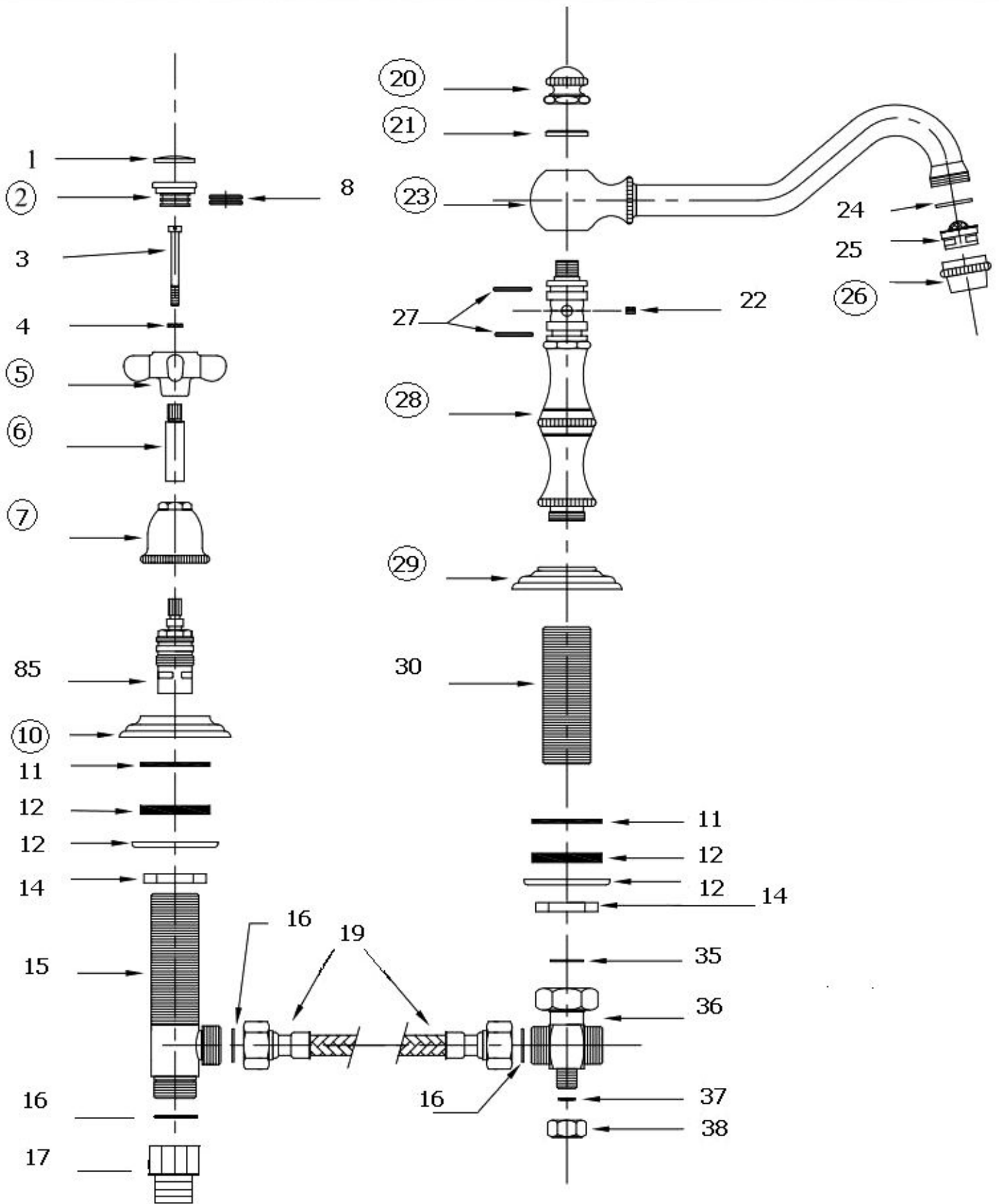
Part #	Description
01	Ceramic Insert
02	Finished Insert Holder
03	Handle Screw
04	Washer
05	Cross Handle
06	Handle Stem
07	Bell Escutcheon
08	Rubber O-Ring
01,02,08	Royale Finished Ceramic Insert
10	Escutcheon
11	Flat Rubber Washer
12	Metal Ring & Rubber Washer
14	Brass Nut
15	Valve Body Ecobross
16	1/2" Washer
17	1/2" Adapter Ecobross
19	Flexible Hose F/F H&C Supply
20	Top Knob
21	Finished Washer
22	Sealing Screw
23	Royale Spout 8 1/4" Ecobross
24	Aerator Washer
25	Aerator Filter
26	Aerator Cover
27	Spout O-Ring Ecobross
28	Central Body Ecobross
29	Deck Escutcheon
30	Threaded Stem Ecobross
35	3/4" Washer
36	'T' Assembly Ecobross
37	O-Ring Ecobross
38	Brass Nut
85	1/2" Turn Ceramic Cartridge Ecobross



**Herbeau**  
L'Art du Sanitaire depuis 1857



# 3021 - 'Royale' Three Hole Kitchen Mixer



○ Polished pieces.