

4121 - 'Royale' Single Lever Mixer with Hand Spray

		<u>Part#</u>	<u>Description</u>
		24	Spout O-Ring
		25	Brass Washer
		26	Mounting Nut
		27	Rubber O-Ring
		32	3/8" Washer
		35	Rubber O-Ring
		39	Flexible Nylon Hose
		40	Backflow Preventer
		43	Internal Diverter
		49	All Thread
		50	Threaded Mounting Stem
		51	Brass Mounting Nut
		52	Metal Ring & Rubber Washer
		53	Flat Rubber Washer
		53	Handspray Escutcheon
		54	Handspray Elbow
		55	Rubber O-Ring
		56	Handspray Coupler
		57	Finished Wood Or White Ceramic Handspray Handle
		58	Threaded Stem For Handspray
		62	Handspray Head Assembly
63	Aerator Nut		
64	4 Piece Grill Kit		
67	Aerator Screw		
91	Diverter Block Assembly		
92	Complete Handspray Assembly		
<p>Technical Information</p> <ul style="list-style-type: none"> Faucet Body Requires 1 3/4" Hole Drilling Hand Spray Requires 1 1/4" Hole Drilling Flow Rate Is 2.2 GPM If Counter Is Thicker Than 1 3/4", Order Part #990012 Longer Threaded Mounting Stem For Main Body and Part #920039 For Longer Hand Spray Stem 3/8" Flexible Hose Connections Available Finishes Are Polished Chrome(48), Solibrass(49), Polished Brass(55), Polished Nickel(56), Brushed Nickel(57), Polished Copper & Brass(58), Weathered Copper & Brass(59) and Satin Nickel(60) and Weathered Brass(70) Faucet Ships With Wood Handles (63). Specify (20) For Ceramic Handles Please see cleaning instructions for finish care and maintenance 		<p>Part#</p>	<p>Description</p>
	01	Top Knob	
	02	Finished Washer	
	03	8 1/4" Spout	
	04	Aerator Washer	
	05	Aerator Filter	
	06	Aerator Cover	
	07	Sealing Screw	
	08	Central Body	
	09	Brass Dome	
	10	Cylinder	
	11	Ceramic Cartridge	
	12	Cartridge Holding Nut	
	13	Handle Base	
	14	Round Screw	
	15	Body Valve With Supply Tubes	
	16	Lower Escutcheon	
	17	Rubber Washer	
	18	Threaded Stem	
	19	Finished Brass Screw	
	20	Finished Washer	
	21	Finished Wood Or White Ceramic Handle	
	22	Mounting Plate	
	23	3/8" X 12" Flexible Supply Hoses	

Please follow example when ordering parts for 'Royale' Single Lever Mixer With Hand Spray

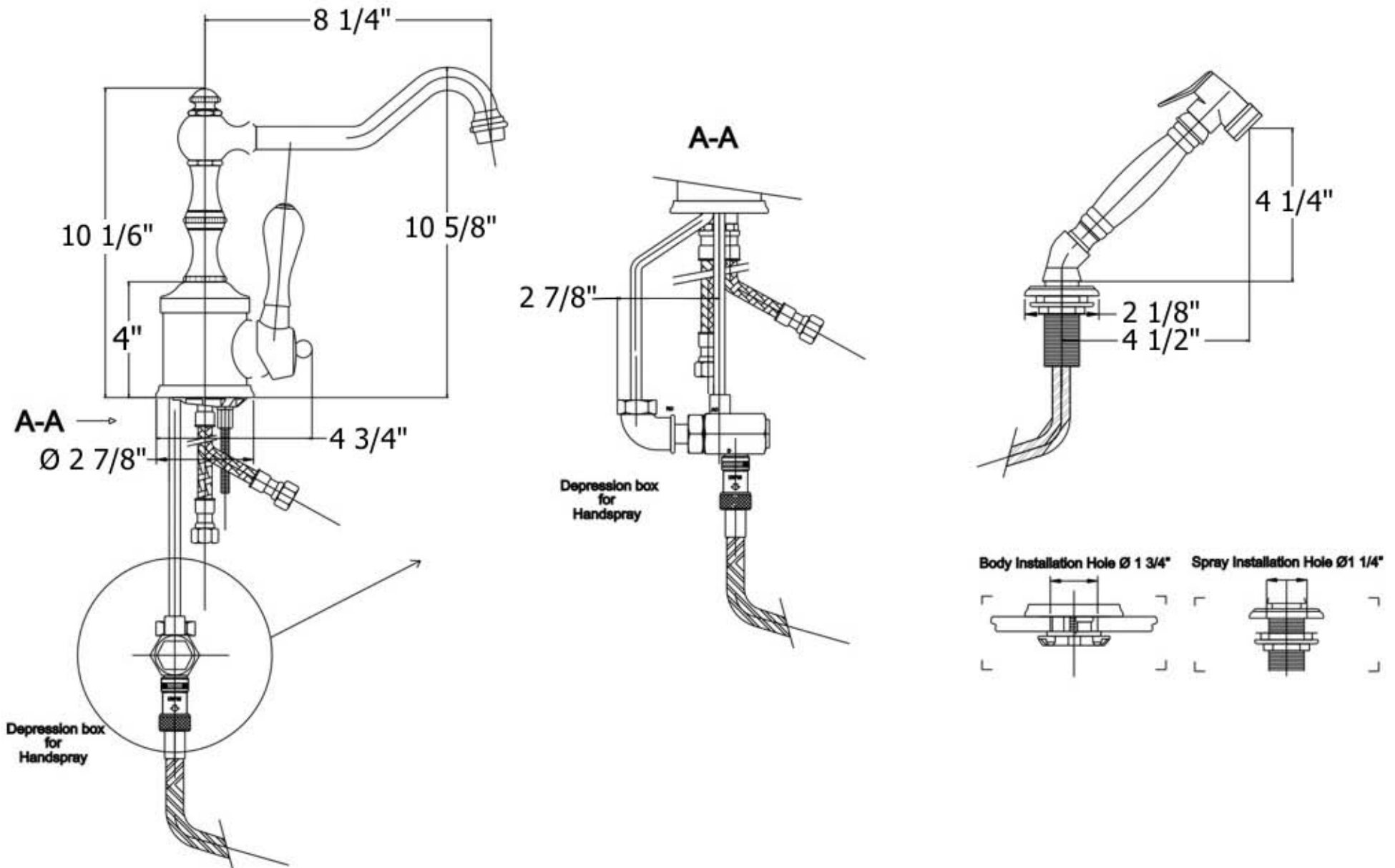
- To order part #03 – Spout
 - 9412103 xx
- Please substitute finish number needed in place of **XX**.

To order a part that is not finished use **00**



Herbeau[®]
L'Art du Sanitaire depuis 1857

4121 - 'Royale' Single Lever Mixer with Hand Spray



4121 - 'Royale' Single Lever Mixer with Hand Spray

