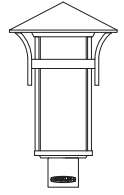
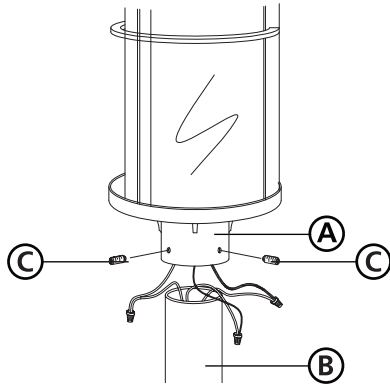


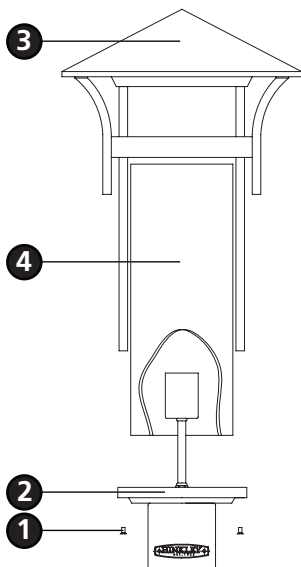
Family: Harbor | Item No. 2571 AR/TT



Drawing 1 - Fixture Mounting



Drawing 2 - Glass Replacement



▼ start here

1

1. Find a clear area in which you can work.
2. Unpack fixture and glass from carton.
3. Carefully review instructions prior to assembly.

***** The construction of this fixture will be accomplished by first making all necessary electrical connections, and then mounting the fixture to pre-installed post.**

2

1. Fixture is mounted using 3 - 1/4-20 set screws.
2. Make all necessary electrical connections following wiring instructions below.

SAFETY WARNING: READ WIRING AND GROUNDING INSTRUCTIONS (I.S. 18) AND ANY ADDITIONAL DIRECTIONS. TURN POWER SUPPLY OFF DURING INSTALLATION. IF NEW WIRING IS REQUIRED, CONSULT A QUALIFIED ELECTRICIAN OR LOCAL AUTHORITIES FOR CODE REQUIREMENTS.

3

Make electrical connections from supply wire to fixture lead wires. Refer to instruction sheet **(I.S. 18)** and follow all instructions to make all necessary wiring connections. Then refer back to this sheet to continue installation of this fixture.

4

1. After wiring connections are complete, slip post fitter **(A)** over top of pre-installed post **(B)** making sure all wire connections are tucked inside the pole - see **Drawing 1**.
2. When fixture is slipped over pole make sure no wires are being pinched between the top edge of the pole and the inside of the post fitter.
3. Thread the 3 set screws **(C)** into pre-tapped holes in post fitter.
4. Tighten screw **(C)** to secure fixture to post.

5

1. To lamp fixture or replace glass, lift off cage assembly **(3)** followed by the glass assembly **(4)** - see **Drawing 2**.
2. Fixture can now be lamped accordingly or glass **(4)** can now be replaced.
3. To reassemble fixture, repeat steps 1-2 in reverse order.

Note: Maximum wattage for 2571 fixture is 100 watts per bulb.

5.27.08