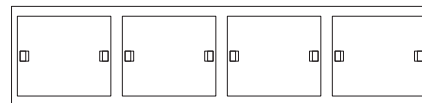


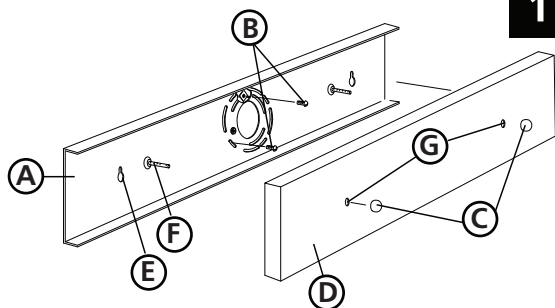
Family: Daphne | Item No. 5924 CM/BN



▼ start here

Drawing 1 - Fixture Mounting

1

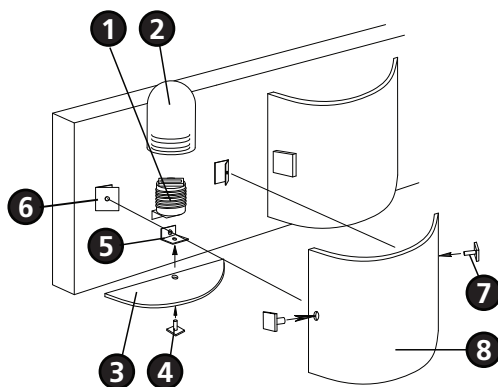


1. Find a clear area in which you can work.
2. Unpack fixture and glass from carton.
3. Carefully review instructions prior to assembly.

***** The construction of this fixture will be accomplished by first mounting the mounting the retainer plate to the junction box, making all necessary electrical connections, mounting the backplate to the retainer plate and then installing the fixture glass.**

Drawing 2 - Glass Installation

2



1. Release mounting strap (A) by removing the 2 ball knobs (C) on the front of the fixture's backplate (D) - see **Drawing 1**.
2. Remove retainer plate (A) from backplate (D).
3. Attach retainer plate (A) to junction box using two 8-32 screws (B).
4. Additional screws can be installed at points (E) for additional mounting support. Please use appropriate anchor for material the fixture is being mounted to.

SAFETY WARNING: READ WIRING AND GROUNDING INSTRUCTIONS (I.S. 18) AND ANY ADDITIONAL DIRECTIONS. TURN POWER SUPPLY OFF DURING INSTALLATION. IF NEW WIRING IS REQUIRED, CONSULT A QUALIFIED ELECTRICIAN OR LOCAL AUTHORITIES FOR CODE REQUIREMENTS.

3

Make electrical connections from supply wire to fixture lead wires. Refer to instruction sheet (I.S. 18) and follow all instructions to make all necessary wiring connections. Then refer back to this sheet to continue installation of this fixture.

4

1. To mount fixture, slip holes (G) in backplate (D) over screws (F) on retainer plate (A) - see **Drawing 1**.
2. While holding fixture in place, thread the two ball knobs (C) onto the end of screws (F), and tighten to secure backplate to the wall.

5

1. Prior to installing glass, fixture can now be lamped accordingly. Note: During the installation of the bulbs, do not touch the glass portion with your fingers. Gloves are recommended.
2. Thread bulb shield (2) onto socket - see **Drawing 2**.
3. Remove decorative knob (4) from lower glass mounting bracket (5) below the socket.
4. Attach glass (3) to glass mounting bracket (5) using decorative knob (4).
5. Remove decorative knobs (7) from glass mounting bracket (6).
6. Slip glass (8) over mounting bracket (6) and line up holes in glass with holes in bracket.
7. Thread decorative knob (7) back into mounting bracket (6) to secure glass to fixture.
8. Repeat steps 1-7 for remaining pieces of glass.

Note: Maximum wattage for 5924 fixture is 60 watts per G9 bulb.

4.26.10