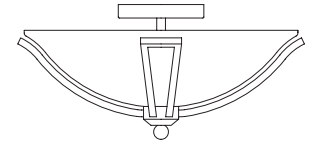
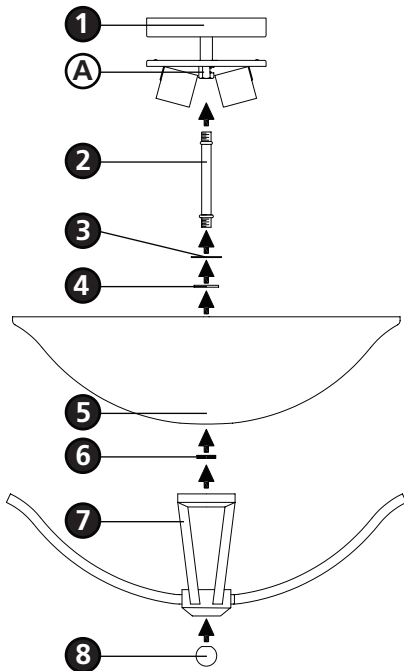


Family: Bolla | Item No. 4660 BN/OB



Drawing 1 - Fixture Assembly



## ▼ start here

1

1. Find a clear area in which you can work.
2. Unpack fixture and glass from carton.
3. Carefully review instructions prior to assembly.

**\*\*\* The construction of this fixture will be accomplished by first assembling the main body of the fixture, making all necessary electrical connections, hanging the fixture from the ceiling, and then installing the glass.**

**SAFETY WARNING: READ WIRING AND GROUNDING INSTRUCTIONS (I.S. 18) AND ANY ADDITIONAL DIRECTIONS. TURN POWER SUPPLY OFF DURING INSTALLATION. IF NEW WIRING IS REQUIRED, CONSULT A QUALIFIED ELECTRICIAN OR LOCAL AUTHORITIES FOR CODE REQUIREMENTS.**

2

1. To assemble main body, take stem (2) and thread one end into coupler (A).
2. Please refer to the hanging instruction sheet (I.S. 19) provided to continue installation of this fixture. Then refer back to this sheet to install glass.

3

1. Prior to installing glass, fixture can be lamped accordingly.
2. Slip steel washer (3) onto stem (2) - see Drawing 1.
3. Slip plastic washer (4) onto stem (2).
4. While holding them in place, slip glass (5) onto stem (2).
5. Thread knurl nut (6) onto end of stem (2) and tighten.  
Note : Over tightening of knurl nut could cause glass damage.
6. Slip spider assembly (7) onto end of stem (2).
7. While holding in place, thread on finial (8) to secure glass (5).

Note: Maximum wattage for 4660 fixture is 75 watts per bulb.

2.7.08