



Assembly Instructions for 4070 MC

Use Drawing 1 for reference:

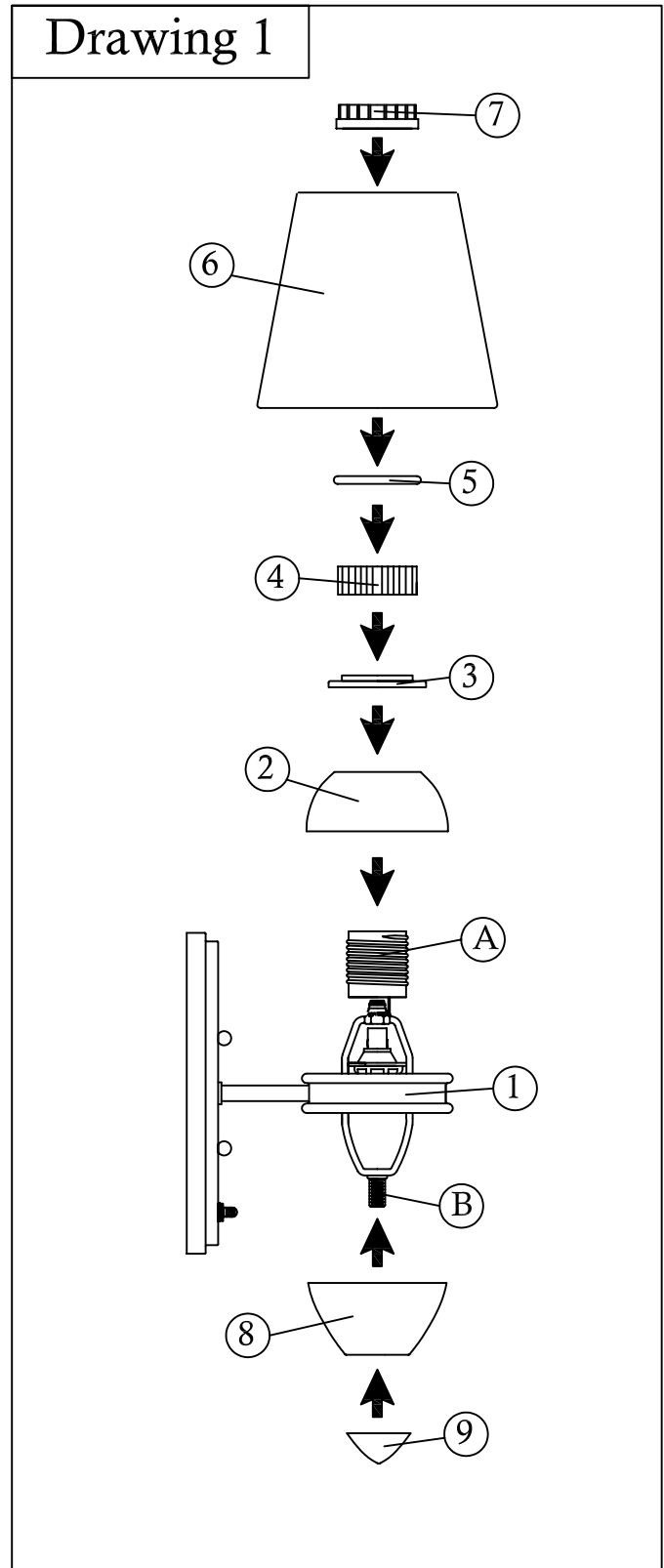
1. Take main body assembly (1) and slip glass (2) over socket assembly (A). Now slip ring (3) over socket and onto glass (2).
2. Now slip decorative tubing (4) over socket (2) making sure it checks over ring (3). Then slip checkring (5) over socket and onto the top of decorative tube (4).
3. Now slip glass (6) over socket (A) and thread ring (7) onto socket to secure the assembly. Hand tighten socket ring (7) by hand only. Over tightening could cause glass damage.

Note: Fixture can be mounted at this point. Please follow mounting instructions on the back of this instruction sheet.

Note: Lamp lower socket of fixture using a 7 watt bulb.

4. Bottom glass (8) is attached by slipping it onto the bottom of the main fixture body (1) over nipple (B). Then thread decorative knob (9) onto nipple (B).

Top of fixture can be lamped. Please note: Maximum wattage is 60 watts.

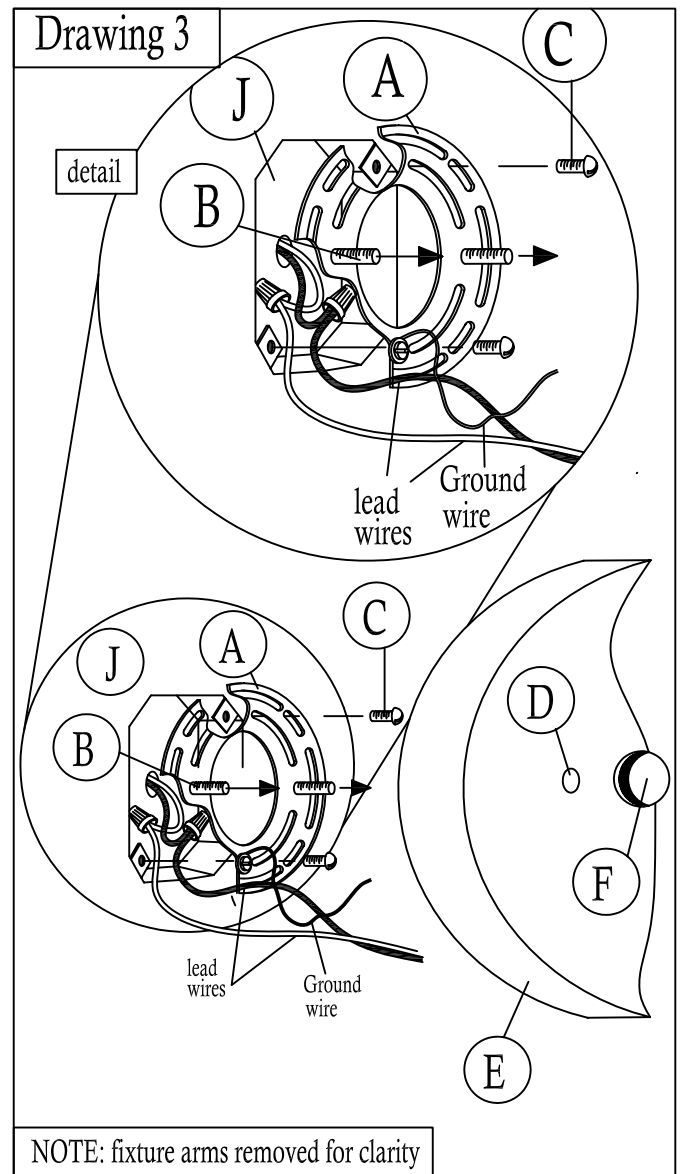


Mounting Instructions for 4070 MC

SAFETY WARNING: Read wiring and grounding instructions (I.S. 18) and any additional installation directions. Turn power supply off during installation. If new wiring is required, consult a qualified electrician or local authority for code requirements.

Use Drawing 3 for reference.

1. Prepare gem strap (A) for mounting by threading two 8-32 screws (B) provided, into back of supplied mounting strap (A). The front of the plate is designated by the green ground screw (G). Holes chosen to thread screws into should correspond with mounting holes (D) in backplate. (see Drawings 3)
2. Mount gem strap (A) to junction box (J) with two 8-32 screws (C), 1" long. (not provided).
3. Make electrical connections from supply wires to fixture lead wires. Reference to I.S. 18 provided for correct wire identification and attachments.
4. After all wiring connections are made, slip the two mounting screws (B) through the two mounting holes (D) in the backplate (E).
5. While holding fixture in place, thread the two ball knobs (F) on to mounting screws (B), and tighten.



I.S. 18

Wiring & Grounding Instructions

SAFETY WARNING: Read wiring and grounding instructions and any additional installation directions. Turn power supply off during installation. If new wiring is required, consult a qualified electrician or local authority for code requirements.

WIRING INSTRUCTIONS (INDOOR FIXTURES): Connect positive supply wire (black or red) to positive fixture lead with appropriately sized twist-on connector. Connect negative (white) supply wire to negative fixture lead.

WIRING INSTRUCTIONS (OUTDOOR FIXTURES): Connect positive supply wire (black or red) to positive fixture lead with appropriately sized twist-on connector. Connect negative (white) supply wire to negative fixture lead. Cover open end of connectors with silicone sealant to form a watertight seal. If installing a wall-mount fixture, use caulk to seal gaps, between the fixture mounting plate (backplate) and the wall. This will help prevent water from entering the outlet box. If the wall surface is lap siding, use caulk and a fixture mounting platform specially designed for lap siding.

IDENTIFICATION OF FIXTURE LEADS:

POSITIVE: Black, or with woven plain cloth cover or smooth and unmarked side of two-conductor cord.

NEGATIVE: White, or with woven cloth cover with tracer, or with ribbed or printed side of two conductor cord.

GROUNDING INSTRUCTIONS:

FOR FLUSH-MOUNT FIXTURES: For positive grounding in a 3-wire electrical system, fasten the system ground to the fixture mounting strap with the green ground screw. Note: On straps for screw supported fixtures, first install the two mounting screws in strap. Any remaining tapped hole may be used for the ground screw.

FOR CHAIN HUNG FIXTURES: Loop fixture ground wire under the head of the ground screw on mounting strap, and connect the loose end of the fixture ground wire directly to the ground wire of the building system, with appropriately sized twist-on connectors.

FOR POST-MOUNT FIXTURES: Connect fixture ground to power supply ground with appropriately sized twist-on connector inside post. Cover open end of connector with silicone sealant to form a watertight seal.

WIRING DIAGRAMS:

