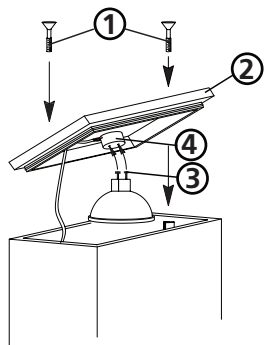
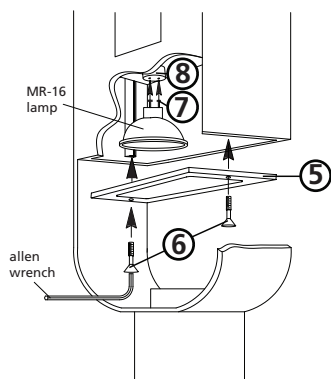


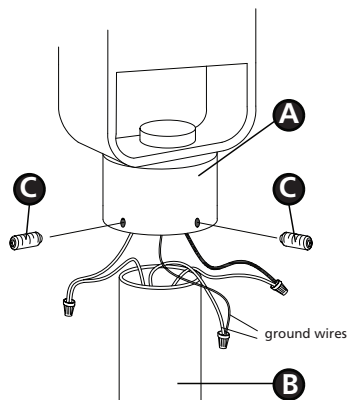
Drawing 1 - Installing top lamp



Drawing 2 - Installing bottom lamp



Drawing 3 - Fixture installation



▼ start here

1

1. Find a clear area in which you can work.
2. Unpack fixture and glass from carton.
3. Carefully review instructions prior to assembly.

***** The construction of this fixture will be accomplished by first lamping the fixture making all necessary electrical connections, and then mounting the fixture to pre-installed post.**

SAFETY WARNING: READ WIRING AND GROUNDING INSTRUCTIONS (I.S. 18) AND ANY ADDITIONAL DIRECTIONS. TURN POWER SUPPLY OFF DURING INSTALLATION. IF NEW WIRING IS REQUIRED, CONSULT A QUALIFIED ELECTRICIAN OR LOCAL AUTHORITIES FOR CODE REQUIREMENTS.

2

1. To install top lamp remove the 2 phillip head screws (1) - See Drawing 1.
2. Lift lid (2) and locate socket (4).
3. Take GU-10 MR 16 lamp and slip pins (3) into socket (4) and rotate bulb to lock it in position.
4. To lamp bottom of 1641 remove bottom cover (5) by removing screws (6) using allen wrench supplied - See Drawing 2.
5. Install GU-10 lamp by slipping pins (7) into socket (8) and rotating lamp to lock it in position.
6. Replace top and bottom covers.
7. Fixture is ready for installation.

Make electrical connections from supply wire to fixture lead wires. Refer to instruction sheet (I.S. 18) and follow all instructions to make all necessary wiring connections. Then refer back to this sheet to continue installation of this fixture.

3

1. After wiring connections are complete, slip post fitter (A) over top of pre-installed post (B) making sure all wire connections are tucked inside the pole - see Drawing 3.
2. When fixture is slipped over pole make sure no wires are being pinched between the top edge of the pole and the inside of the post fitter.
3. Thread the 3 set screws (C) into pre-tapped holes in post fitter.
4. Tighten screws (C) to secure fixture to post.

Note: Maximum wattage for 1641 fixture is 20 watt GU-10, MR-16 per socket. 10.19.10