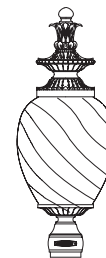
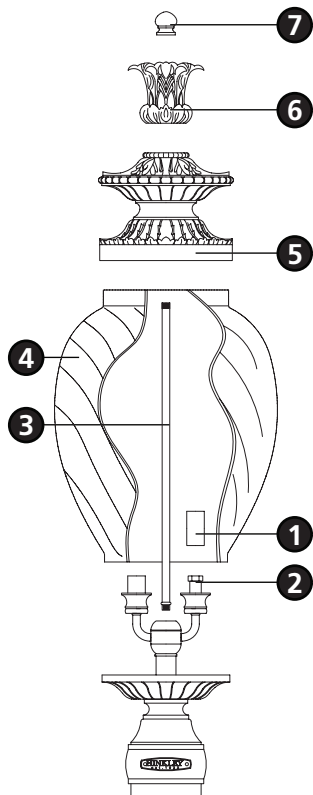


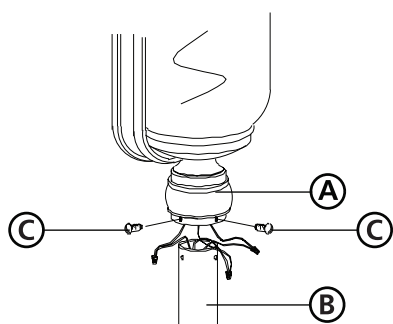
Family: Montreal | Item No. 1731 AI



Drawing 1 - Fixture Assembly



Drawing 2 - Fixture Mounting



▼ start here

1

1. Find a clear area in which you can work.
2. Unpack fixture and glass from carton.
3. Carefully review instructions prior to assembly.

***** The construction of this fixture will be accomplished by first assembling main body of the fixture, making all necessary electrical connections, mounting the fixture to pre-installed post and then installing the glass.**

2

1. Slip candle sleeve (1) over socket (2) - see **Drawing 1**.

3

1. Fixture is mounted using 3 - 1/4-20 set screws.
2. Make all necessary electrical connections following wiring instructions below.

SAFETY WARNING: READ WIRING AND GROUNDING INSTRUCTIONS (I.S. 18) AND ANY ADDITIONAL DIRECTIONS. TURN POWER SUPPLY OFF DURING INSTALLATION. IF NEW WIRING IS REQUIRED, CONSULT A QUALIFIED ELECTRICIAN OR LOCAL AUTHORITIES FOR CODE REQUIREMENTS.

4

- Make electrical connections from supply wire to fixture lead wires. Refer to instruction sheet (**I.S. 18**) and follow all instructions to make all necessary wiring connections. Then refer back to this sheet to continue installation of this fixture.

5

1. After wiring connections are complete, slip post fitter (A) over top of pre-installed post (B) making sure all wire connections are tucked inside the pole - see **Drawing 2**.
2. When fixture is slipped over pole make sure no wires are being pinched between the top edge of the pole and the inside of the post fitter.
3. Thread the 3 set screws (C) into pre-tapped holes in post fitter (A).
4. Tighten set screws (C) to secure fixture to post (B).

6

1. Fixture can now be lamped accordingly.
2. Thread center stem (3) into top of candle cluster - see **Drawing 1**.
3. Slip glass (4) over center stem (3), followed by decorative cap (5) and crown (6).
4. Thread knob (7) onto center stem (3) and tighten.

Note: Maximum wattage for 1731 fixture is 60 watts per bulb.

3.16.09