

ASSEMBLY INSTRUCTIONS



adjustable height laundry center

ITEM # SRT-01237

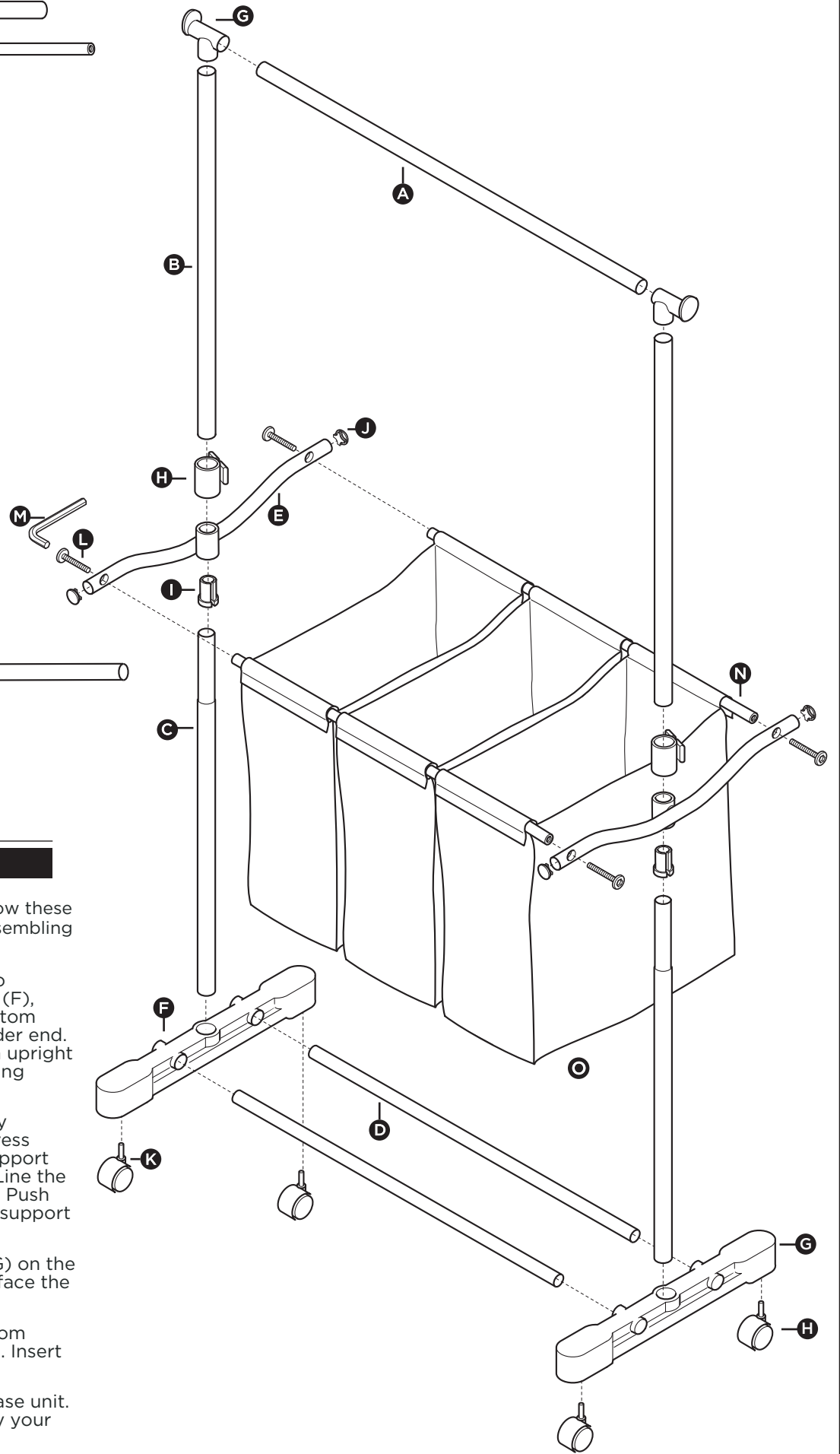
DIMENSIONS

63.5" H x 32.25" W x 16.5" D
(161.3 cm x 81.9 cm x 41.9 cm)

IMPORTANT! Plead read prior to use. This Honey-Can-Do Adjustable Height Laundry Center is designed for indoor use. Please do not overload. To prevent tipping, we recommend that you evenly distribute the weight throughout the unit. Please keep top hanger bar horizontal

when in use. Please do not use rack for anything other than its intended use. Please do not allow children, spouses or pets to hang from or ride on laundry center. Please keep away from heat sources such as heaters and fireplaces.

(QTY) DESCRIPTION	PART	ILLUSTRATION
(1) hanger bar	A	
(2) top uprights	B	
(2) bottom uprights	C	
(2) base bars	D	
(2) side supports	E	
(2) base units	F	
(2) connectors	G	
(2) upright connector	H	
(2) side connector	I	
(4) side caps	J	
(4) casters	K	
(4) screws	L	
(1) hex key tool	M	
(3) side bars	N	
(3) laundry bags	O	



INSTRUCTIONS

Thank you for purchasing a Honey-Can-Do laundry center. Please follow these step-by-step instructions. Please plan to spend about 20 minutes assembling your new laundry center. You can do it!

1. Begin by assembling the two base sections of the laundry center. To assemble: insert wider end of the bottom upright (C) into base unit (F), pressing firmly until secure. Firmly push side connector (I) onto bottom upright (C), pushing through the smaller end until it reaches the wider end. Firmly push side support (E) through the smaller end of the bottom upright (C) and onto the side connector (I), making sure the tube bar is facing outward. Complete both base sections.
2. Connect the two base sections you have just assembled together by snapping the base bars (D) into the holes onto one base unit (F). Press firmly to secure them into place. Attach side bars (N) to the side support (E) using 1 screw (L). Secure into place using the hex key tool (M). Line the remaining base section up with the base bars (D) and side bars (N). Push base bars (D) firmly into place, and attach side bars (N) to the side support (E) using 1 screw (L).
3. Next, assemble the hanger bar section by placing the connectors (G) on the ends of the hanger bar (A). Be sure the bottoms of the connectors face the same direction.
4. Attach the upright connector (H) onto the exposed end of the bottom uprights (C). Insert top uprights (B) into the upright connectors (H). Insert assembled hanger bar section onto the top uprights.
5. Turn the assembled unit on its side and press casters (K) into the base unit. Using the velcro, attach the laundry bags (O) to the side bars. Enjoy your laundry center from Honey-Can-Do!

For assistance, please contact us at info@honeycando.com or 877.2.I.Can.Do.

LIMITED LIFETIME WARRANTY

This product is warranted to be free of defects in material and workmanship for as long as the consumer owns the product. At Honey-Can-Do's option, defective product will be repaired, replaced or substituted with a product of equal value. For warranty service, e-mail Honey-Can-Do at warranties@honeycando.com or call at (877) 242-2636. You may also contact Honey-Can-Do at 5750 McDermott Drive, Berkeley, IL 60163. Do not dispose of the defective item until or unless

you are specifically asked to do so by Honey-Can-Do as we may require return of the defective item. Honey-Can-Do shall in no event be liable for any incidental or consequential damages. Some states do not allow the exclusion or limitation of incidental or consequential damages, so the above exclusion may not apply to you. This warranty gives you specific legal rights, and you may also have other rights, which may vary from state to state.

honey-can-do international

5750 McDermott Drive, Berkeley, IL 60163 USA

tele 877.242.2636

fax 708.240.8198

www.honeycando.com