

## CONTEMPO SERIES

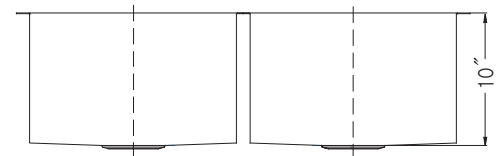
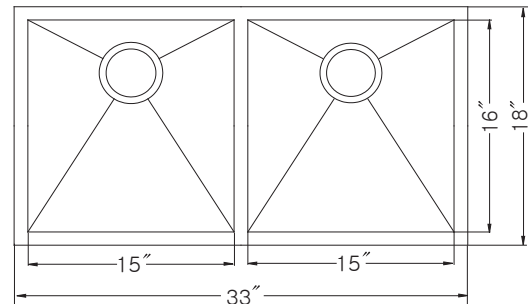
### Zero radius Undermount 50/50 Double Bowl Model CTD-3350



CTD-3350

#### FEATURES

- Premium grade T-304 stainless steel
- 10" depth • 18 gauge
- MegaShield™ insulation
- True zero radius ledge and bottom
- Brushed satin, rear-set drain • 3-1/2" drain opening
- Fits 36" sink base
- Supplied with cutout template, fasteners and instructions
- Complies with ASME A112.19.3-2000, UPC®
- Lifetime Limited Warranty



#### OPTIONAL ACCESSORIES

Bottom Grid: BG-4170

Cutting Board : CB-4100

Strainer: 190-9180

OVERALL DIMENSIONS	EACH BOWL	CUTOUT SIZE	PACKAGING*	WEIGHT*
33" x 18"	15" x 16"	See Template	1/12 pcs.	37/480 lbs.

\*Standard packaging: Single boxed /Pallet of single boxed.  
All dimensions are in inches. Specifications subject to change without notice.

Project/Job name

Architect/Engineer

Contractor

Model

Q'ty

Notes

#### Installation profile

