

## CONTEMPO SERIES

### Zero Radius Undermount 70/30 Double Bowl

Model **CTO-3370SR** as shown

**CTO-3370SL** small bowl left (special order)



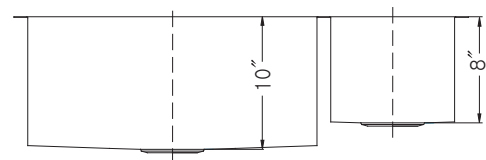
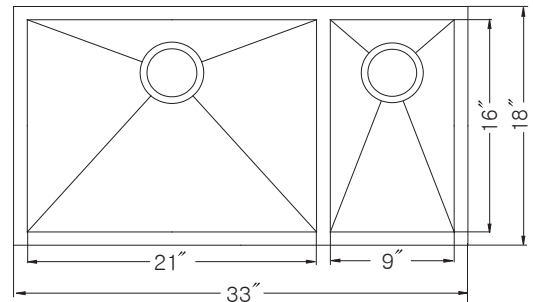
CTO-3370SR

### FEATURES

- Premium grade T-304 stainless steel
- 10" & 8" depth • 18 gauge
- MegaShield™ insulation
- True zero radius ledge and bottom
- Brushed satin, rear-set drain • 3-1/2" drain opening
- Fits 36" sink base
- Supplied with cutout template, fasteners and instructions
- Complies with ASME A112.19.3-2000, UPC®
- Lifetime Limited Warranty



ASME A112.19.3-2000



### OPTIONAL ACCESSORIES

Bottom Grid: BG-4210 & BG-4090

Cutting Board : CB-4100

Strainer: 190-9180

OVERALL DIMENSIONS	EACH BOWL	CUTOUT SIZE	PACKAGING*	WEIGHT*
33" x 18"	21" x 16" 9" x 16"	See Template	1/12 pcs.	37/480 lbs.

\*Standard packaging: Single boxed /Pallet of single boxed.

All dimensions are in inches. Specifications subject to change without notice.

Project/Job name

Architect/Engineer

Contractor

Model

Q'ty

Notes

### Installation profile

