

# Installation Instructions

Mobius Chandelier 10-3305

**A305**

Page 1 of 2

**CAUTION: FAILURE TO INSTALL THIS FIXTURE PROPERLY MAY RESULT IN SERIOUS PERSONAL INJURY OR DEATH AND PROPERTY DAMAGE. We recommend installation by a licensed electrician.**

This product must be installed in accordance with applicable installation code(s), by a person familiar with the construction and operation of the product and the hazards involved.\*

**Caution:** Do not exceed maximum wattage noted on fixture. Use only recommended bulbs with fixture.

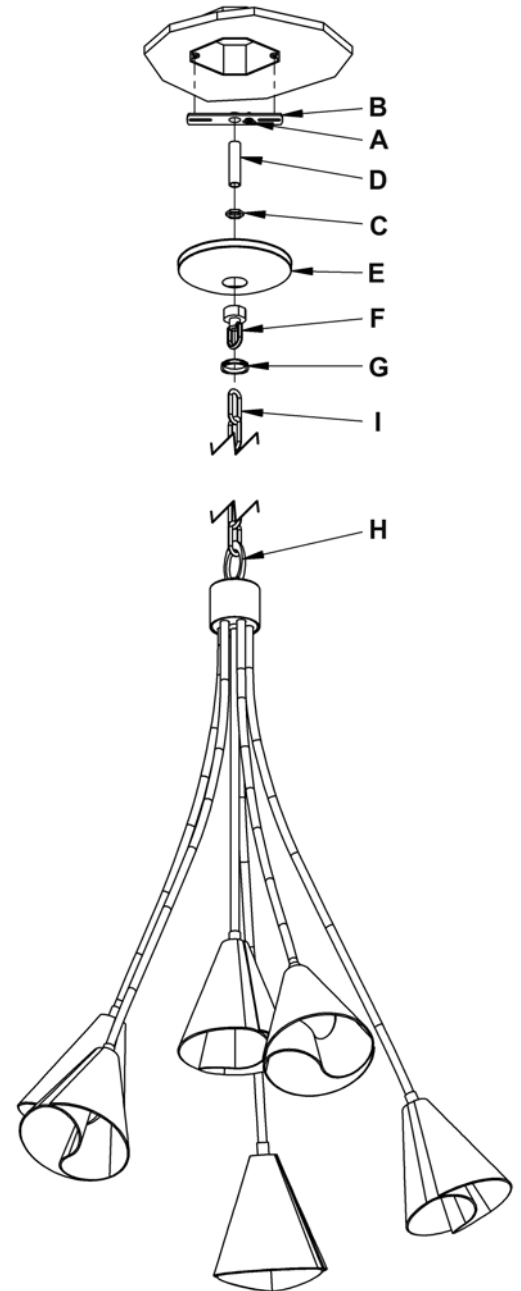
## To Install the Canopy (Figure 1)

### Component Parts

A	Ground Screw	F	Loop Collar
B	Crossbar	G	Canopy Loop
C	Lock Nut	H	Fixture Loop
D	Nipple	I	Chain
E	Canopy		

**Caution: Be sure power is off at the main breaker box prior to installation**

1. Carefully unpack the fixture from the carton.
2. Using two machine screws (not provided), fasten the crossbar (B) to the electric box (see illustration).  
**Note:** A new electric box comes with screws. When replacing a fixture, retain the existing screws for use with the new fixture.
3. Thread the nipple (D) into the crossbar (B) and secure with lock nut (C); slide canopy (E) over nipple (D), and attach the canopy loop (G) to the nipple (D). Adjust the nipple to proper length to ensure a snug canopy fit before proceeding.
4. Attach one end of the chain (I) to the fixture loop (H). Lace the wire through every other link of the chain (I) to the end. Slip wires and chain (I) through the collars and canopy (G, F & E). Fasten the chain (I) to the canopy loop (G), and then slip wires through the loop and nipple, into the electric box. Make sure to provide enough slack in the wire to ensure weight of fixture is supported by the chain (I).
5. Using suitable wire connectors (not provided) connect fixture wires to supply wires (white to ribbed side of the fixture cord, black to smooth side). Run a pigtail lead from crossbar ground screw (A) to the junction box and connect all ground wires (bare copper or green to bare copper or green).  
**Caution:** Make sure wire connectors are twisted on securely, and no bare wire is exposed.
6. Raise canopy (E) to the ceiling and secure loop collar (F) to canopy loop (G).
7. Follow instructions on next page to install bulbs.



(Figure 1)

(continued)

# Installation Instructions

Mobius Chandelier 10-3305

**A305**

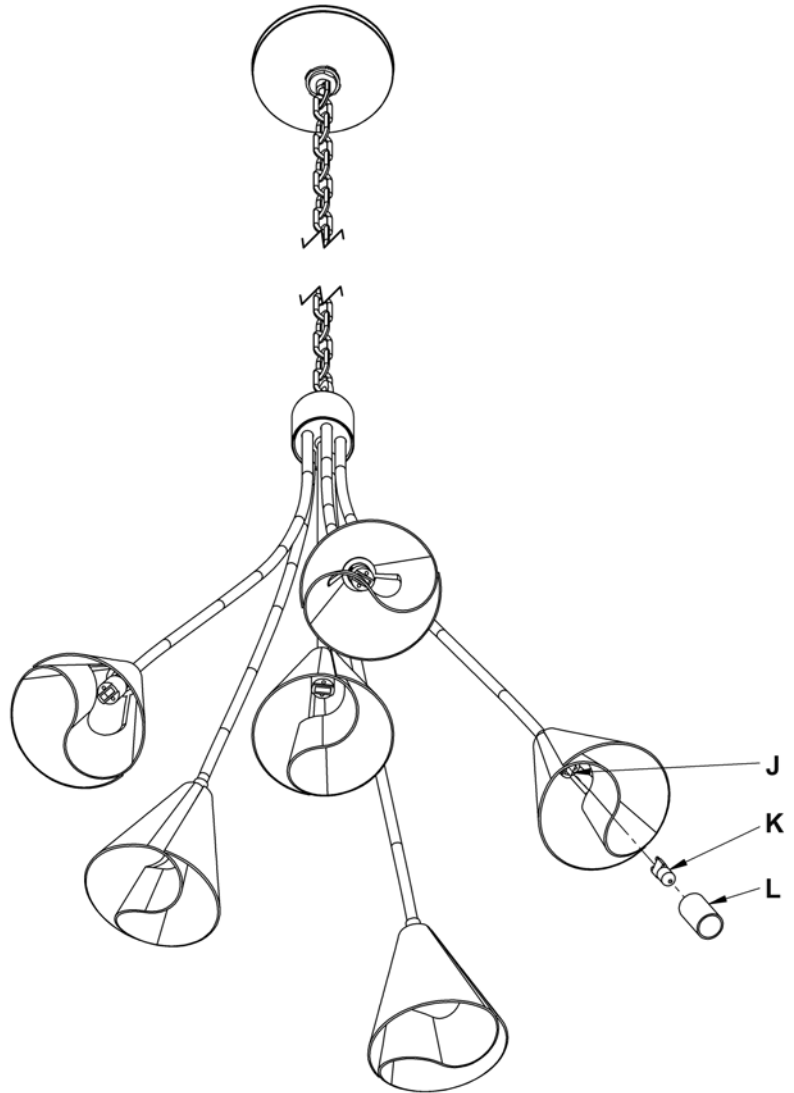
Page 2 of 2

## To Install Bulbs and Shields (Figure 2)

### Component Parts

- J Socket
- K Bulb (Included)
- L Glass Shield

1. Install light bulb (K). Be careful not to touch bulb with bare hands; oil from the hands will dramatically reduce bulb life.  
**Note:** The bulb included is based on our design preference; see the fixture wattage sticker for Max wattage information.
2. Slip glass shield (L) over bulb (K) and thread onto socket (J). Be sure not to over tighten.
3. Repeat steps 1 & 2 for remaining sockets.
4. Restore electricity at main breaker.



(Figure 2)

*If you need further assistance, or find that you are missing any parts, please contact the dealer from which you purchased this product. We hope you enjoy your fixture!*

\* Hubbardton Forge will not be liable for injury or damage caused by improper installation, lamping or use of this fixture.