



18-455
MOBIUS PENDANT
As shown: 18-455-312-07-717

All designs and images ©1989-2012 Hubbardton Forge®. All rights reserved.

HUBBARDTON FORGE®

HUBBARDTONFORGE.COM

I8-455
MOBIUS

Adjustable pendant with shade options. Patent Pending

This product is slope ceiling adaptable to 45 degrees.

Dimensions

Height	10"
Diameter	14"
Canopy Can	5.0" OD
Canopy Plate	5.5" OD

Max Hanging Weight

4 lbs

Adjustable Heights

Short	33.6" - 41.1"
Standard	40.6" - 48.1"
Long	40.6" - 48.1"

Incandescent Lamping

Socket: medium
Bulb: A-19, 60 watt max

Shade

451982

Shade Color Options

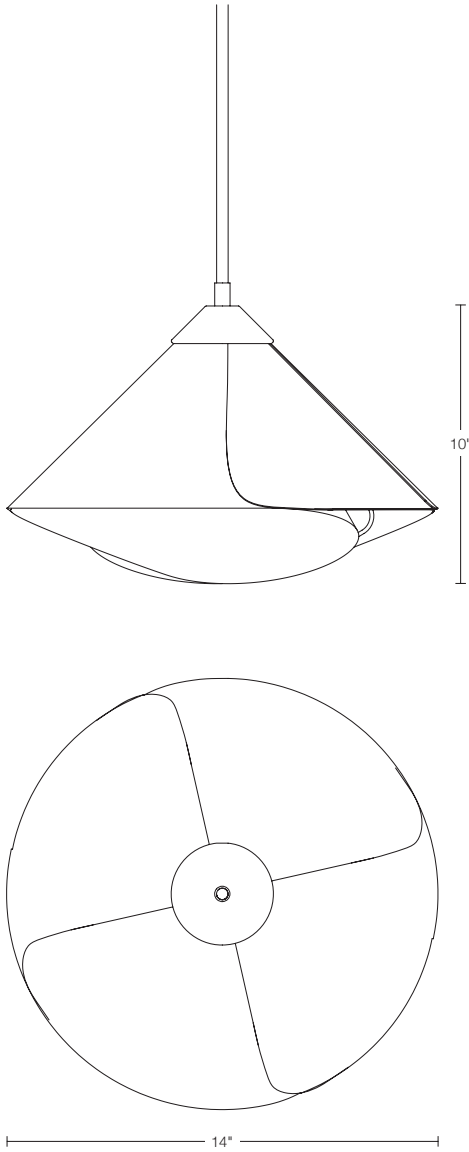
- 65** - Cork
- 66** - Spun Frost
- 68** - Spun Amber

UL Listing

Suitable for damp locations



Updated 12.11



HUBBARDTON FORGE®



HUBBARDTONFORGE.COM

FOR MORE INFORMATION CALL CUSTOMER SERVICE AT 800-826-4766

OR EMAIL CUSTOMERSERVICE@VTFORGE.COM FOR RESIDENTIAL;

CONTRACT@VTFORGE.COM FOR COMMERCIAL.

154 RT. 30 SOUTH · CASTLETON, VERMONT 05735 · T 800-826-4766 · F 877-910-3700

All designs and images ©1989-2012 Hubbardton Forge®. All rights reserved.