

## 1 LT FIXTURES

### Assembling the Fixture

Carefully remove the fixture from the carton, and check that all parts are included, as shown in figure. Be careful not to misplace any of the screws or parts which are needed for installing the fixture.

- 1 Attach crossbar to Outlet Box by means of the two screws
- 2 Screw nipple or mounting screws into the threaded hole(s) in the crossbar (for 2 LT and 4 LT versions, install mounting screws prior to mounting crossbar on electrical box).
- 3 Put the glass shade into glass set ring.
- 4 Screw the glass shade with allen wrench (for 2 and 4 light versions)

NOTE: Do not over tighten glass! Over tightened glass may break when fixture is turned on.

### Connecting the Wires

Connecting the wires to the connectors is shown in figure 2

- 1 If your OUTLET BOX is provided with a GROUNDING WIRE (GREEN or BARE COPPER only), attach it to the GREEN GROUNDING SCREW on cross bar by wrapping it around the SCREW under the HEAD OF THE SCREW. Tighten the SCREW.

Warning: Do not attach any other wires to this screw

- 2 Place the white wires from the fixture evenly against the white wire from the Outlet Box, and then twist together the bare parts of the wires.
- 3 Fit the connector over the twisted wires, and screw the connector in place until you feel a firmness.
- 4 Try gently to pull the connector off the wires. If you can pull the connector off, carefully redo steps 2 and 3 above, and check again for a firm connection
- 5 Connect the black wires in the same manner.

- 6 After the wires are connected, tuck them carefully inside the Outlet Box. Slip the canopy over the nipple or mounting screws and lock against the wall by screwing the nut(s) on to the protruding nipple or mounting screws and install light bulbs. This fixture is rated for 25w type T5 lamp, do not exceed recommended wattage

### Warning

Be sure the electricity to the wires you are working on is shut off—either the Fuse removed or the Circuit Breaker set at Off.

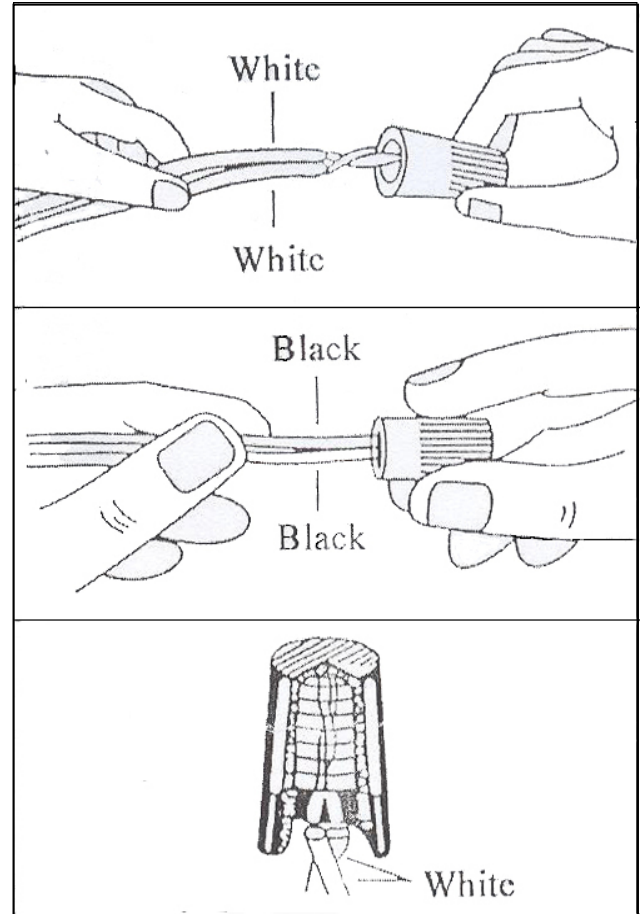


Figure 2-Wire Connectors

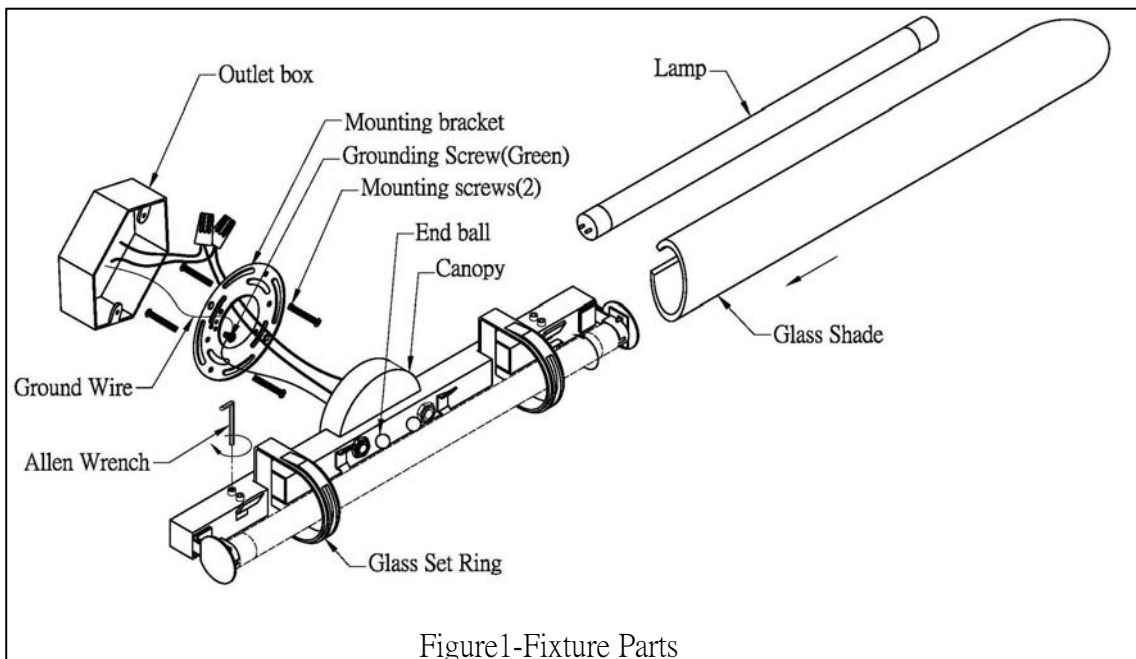


Figure 1-Fixture Parts