

Original Schoolhouse Globe Light Kit Installation Instructions



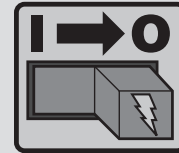
IMPORTANT: Read all warnings before you begin.

⚠ CAUTIONS

- Read entire installation instructions carefully before beginning installation and save these instructions.
- To avoid possible risk of electrical shock and fire, install this light fixture only on Hunter ceiling fan Type A-Z. Find the fan model number on the fan package or on the nameplate on top of the motor housing.

⚠ WARNINGS

- To avoid possible electrical shock, before installing light fixture disconnect power by turning off the circuit breakers both to the outlet box and to its associated wall switch location. If you cannot lock the circuit breakers in the off position, securely fasten a prominent warning device, such as a tag, to the service panel.
- Connect house wiring to the fan before attaching the light fixture to the fan.
- All wiring must be in accordance with national and local electrical codes. If you are unfamiliar with wiring, you should use a qualified electrician. Professional installation is recommended.
- To reduce the risk of fire or personal injury, allow bulbs and surrounding surfaces to cool to room temperature before touching or removing them.

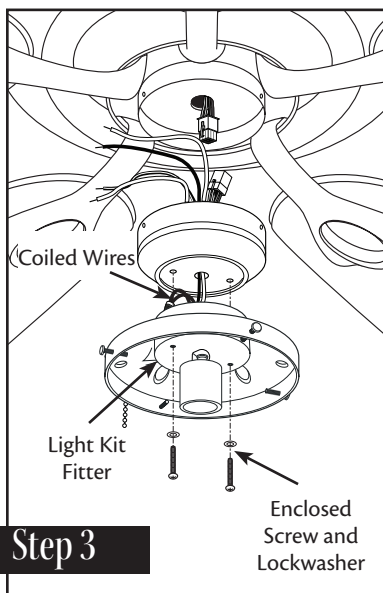
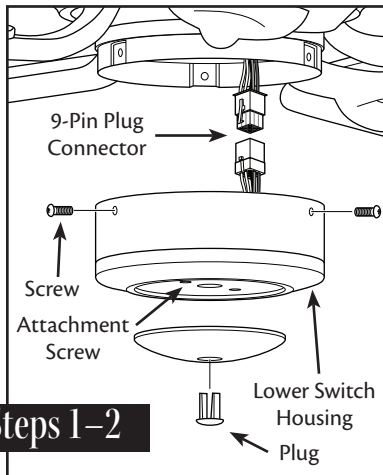
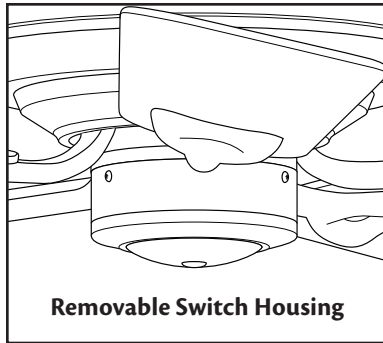


This light fixture is for use only on Hunter Ceiling Fans Type A-Z.

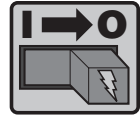
This light fixture weighs 8.15 pounds.

This manual contains installation instructions for the following types of fans:

- Fans With Removable Switch Housing
- Fans With Non-Removable Switch Housing
- Fans With Non-Removable Switch Housing and No Center Hole



Installing the Light Kit on Fans With Removable Switch Housing



1. Unscrew the three screws from the upper switch housing. Disconnect the 9-pin plug connectors. Remove the lower switch housing.
 2. Push the plug from inside the lower switch housing to remove the plug and switch housing cap. Unscrew the two attachment screws on the bottom of the switch housing.
- NOTE:** Save the plug button and switch housing cap should you choose to remove the light fixture in the future.
3. Feed the two loose wires from the light kit up through the center hole in the lower switch housing. Coil the two black wires connected with a wire plug into the top cavity of the light kit fitter.

CAUTION: If your fan is operated by remote control, take care not to damage the small components on the circuit board inside the housing.

Align the channels for screws in the light kit with the screw holes in the lower switch housing.

Attach the light kit to the lower switch housing using the two enclosed long screws and the lock washers on the red tag. Securely tighten the two screws.

WARNING: Improper installation could cause the light fixture to fall, or result in electrical shock or personal injury.

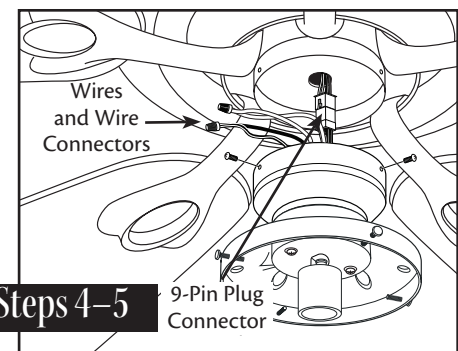
4. Remove the wire connectors from the two wires in the switch housing labeled "Connect Light Here" or "For Light Use."

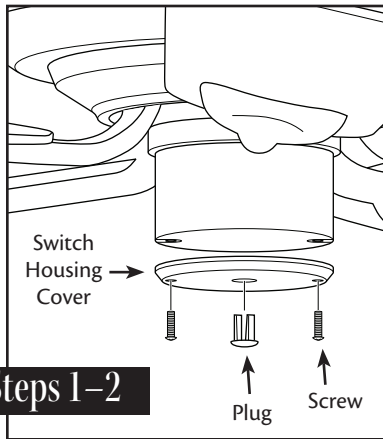
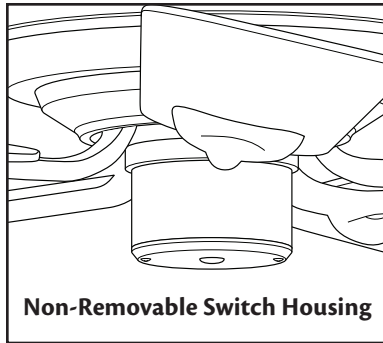
Connect the black/white striped wire from the switch housing to the black wire from the light kit. Connect the white wire from the switch housing to the white wire from the light kit. Secure all wire connections using wire connectors.

To connect the wires, hold the bare metal leads together and place a wire connector over them, then twist the wire connector clockwise until tight.

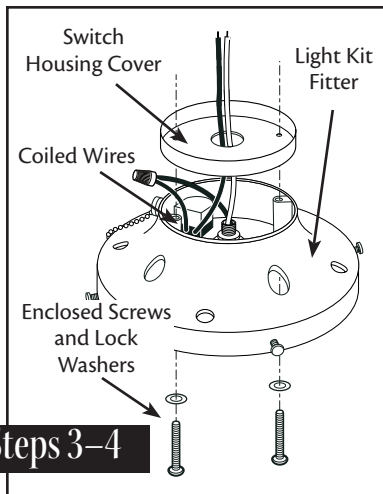
CAUTION: Be sure no bare metal wires or wire strands are visible after making the connections.

5. Reconnect the 9-pin plug connector.
6. Go to the instructions for Installing the Bulbs, Chains, and Globe.



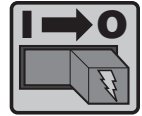


Steps 1-2



Steps 3-4

Installing the Light Kit on Fans With Non-Removable Switch Housing



1. Uninstall the two screws from the switch housing cover.
2. Remove the plug or screw from the center of the switch housing cover.
3. Thread the switch housing cover onto the wires from the light kit. Coil the two black wires connected with a wire plug into the top cavity of the light kit fitter. Align the channels for screws in the light kit fitter with the screw holes in the switch housing cover.
4. Attach the light kit to the switch housing cover using the two enclosed long attachment screws and the lock washers on the red tag. Securely tighten the two screws.

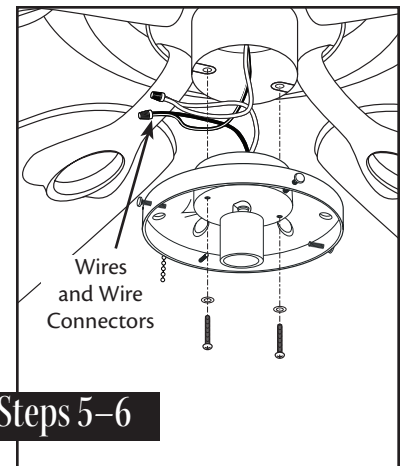
⚠ WARNING: Improper installation could cause the light fixture to fall, or result in electrical shock or personal injury.

5. Remove the wire connectors from the two wires in the switch housing labeled "Connect Light Here" or "For Light Use." One wire is white and the other wire is black/white striped. Connect the black/white striped wire from the switch housing to the black wire from the light kit. Connect the white wire from the switch housing to the white wire from the light kit. Secure all wire connections using wire connectors.

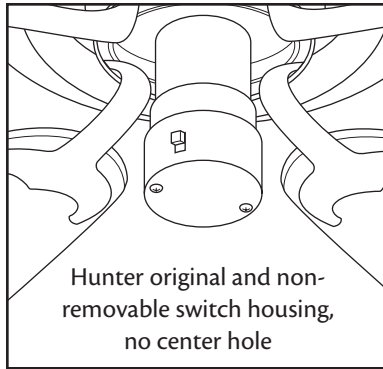
To connect the wires, hold the bare metal leads together and place a wire connector over them, then twist the wire connector clockwise until tight.

⚠ CAUTION: Be sure no bare metal wires or wire strands are visible after making the connections.

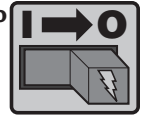
6. Align the screws in the switch housing cover-light kit assembly with the screw holes in the switch housing. Tighten the screws.
7. Go to the instructions for Installing the Bulbs, Chains, and Globe.



Steps 5-6



Installing the Light Kit on Fans With Non-Removable Switch Housing and No Center Hole



1. Uninstall the two screws from the switch housing.
2. In the light kit fitter, ensure that the two black wires connected with a wire plug are coiled into the top cavity of the light kit fitter. Remove the wire connectors from the two wires in the switch housing labeled "Connect Light Here" or "For Light Use." One wire is white and the other wire is black/white striped.

Connect the black/white striped wire from the switch housing to the black wire from the light kit. Connect the white wire from the switch housing to the white wire from the light kit. Secure all wire connections using wire connectors.

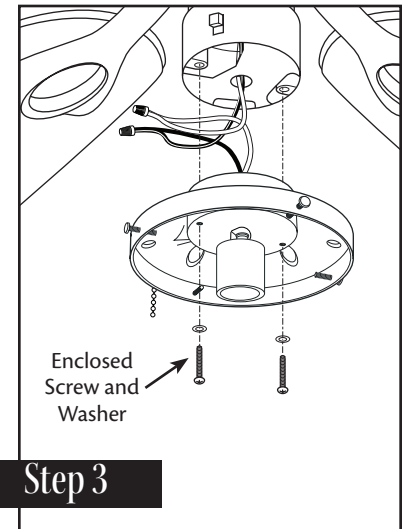
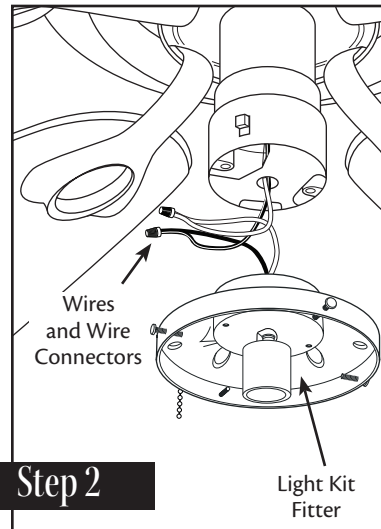
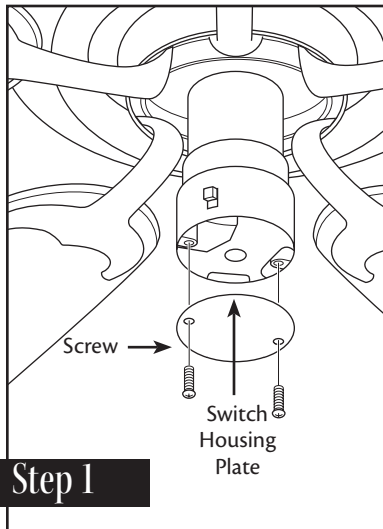
To connect the wires, hold the bare metal leads together and place a wire connector over them, then twist the wire connector clockwise until tight.

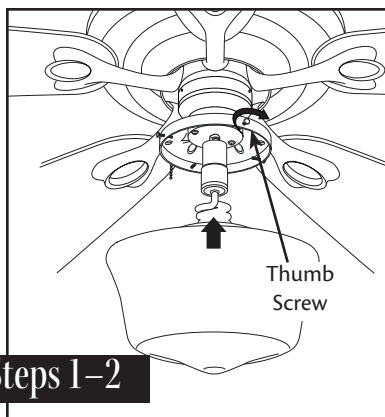
⚠ CAUTION: Be sure no bare metal wires or wire strands are visible after making the connections.

3. Attach the light kit to the switch housing using the two enclosed long screws and the lock washers on the red tag. Screw the light kit into the two tabs in the switch housing. Securely tighten the two screws.

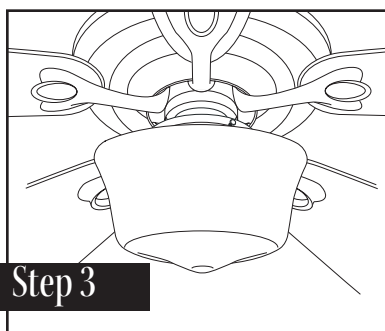
⚠ WARNING: Improper installation could cause the light fixture to fall, or result in electrical shock or personal injury.

4. Go to the instructions for Installing the Bulbs, Chains, and Globe.





Steps 1–2



Step 3

Installing the Bulbs, Chains, and Globe

1. Install one 19 Watt compact fluorescent (CFL) bulb, enclosed.
2. Place lip of glass globe against light kit, being sure to clear all the thumb screws. Loosen the thumb screws if necessary.
3. When globe is flat against the inside of the light kit, tighten all thumb screws.
4. The installation is complete and you can restore power to the ceiling fan.

Hunter Fan Company
 2500 Frisco Avenue
 Memphis, Tennessee 38114

Troubleshooting

Light does not come on.

1. Make sure bulbs are installed properly and filament is not blown.
2. Make sure breakers or fuses are on.
3. Verify that the light power lead is connected at the ceiling. Refer to your ceiling fan manual for locating assembly and wiring.

Glass rattles.

1. Make sure the glass globe is secure.

For other problems or questions, contact the Hunter Fan Company Technical Support at US 888-830-1326 / Canada 866-268-1936.

<http://www.hunterfan.com>