

10" Opal Schoolhouse Globe Light Kit Installation Instructions



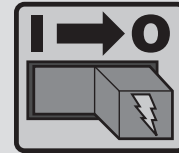
IMPORTANT: Read all warnings before you begin.

⚠ CAUTIONS

- Read entire installation instructions carefully before beginning installation and save these instructions.
- To avoid possible risk of electrical shock and fire, install this light fixture only on Hunter ceiling fan Type A-Z. Find the fan model number on the fan package or on the nameplate on top of the motor housing.

⚠ WARNINGS

- To avoid possible electrical shock, before installing light fixture disconnect power by turning off the circuit breakers both to the outlet box and to its associated wall switch location. If you cannot lock the circuit breakers in the off position, securely fasten a prominent warning device, such as a tag, to the service panel.
- Connect house wiring to the fan before attaching the light fixture to the fan.
- All wiring must be in accordance with national and local electrical codes. If you are unfamiliar with wiring, you should use a qualified electrician. Professional installation is recommended.
- To reduce the risk of fire or personal injury, allow bulbs and surrounding surfaces to cool to room temperature before touching or removing them.



This light fixture is for use only on Hunter Ceiling Fans Type A-Z.

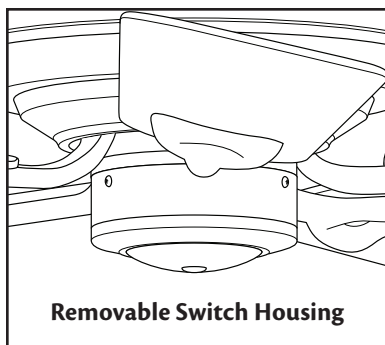
This light fixture weighs 4.45 pounds.

This manual contains installation instructions for the following types of fans:

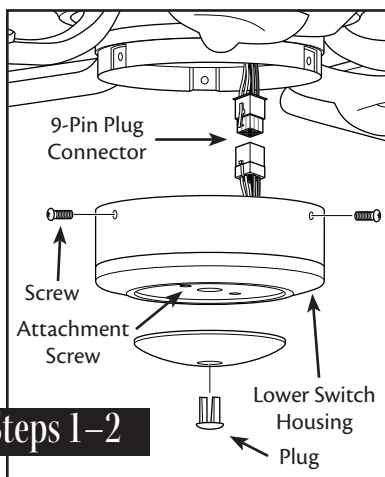
- Fans With Removable Switch Housing
- Fans With Non-Removable Switch Housing
- Fans With Non-Removable Switch Housing and No Center Hole

Preparing to Install the Light Kit

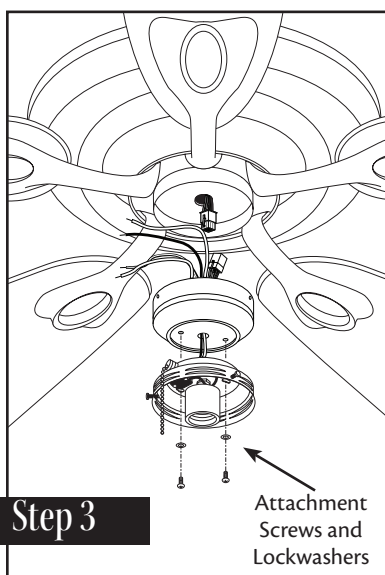
1. Disconnect power to the ceiling fan by turning off the circuit breakers both to the outlet box and to any associated wall switch locations.



Removable Switch Housing



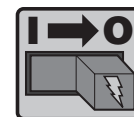
Steps 1-2



Step 3

Attachment
Screws and
Lockwashers

Installing the Light Kit on Fans with Removable Switch Housings



1. Unscrew the three screws from the upper switch housing. Disconnect the 9-pin plug connectors. Remove the lower switch housing.
2. Push the plug button from inside the lower switch housing to remove the plug button and switch housing cap. Unscrew the two attachment screws on the bottom of the switch housing.
NOTE: Save the plug button and switch housing cap should you choose to remove the light fixture in the future.
3. Feed the two wires from the light kit up through the center hole in the lower switch housing.

CAUTION: If your fan is operated by remote control, take care not to damage the small components on the circuit board inside the housing.

Align the keyholes of the light kit and the screw holes of the lower switch housing. Install the nut and washer onto the threaded rod from the light kit.

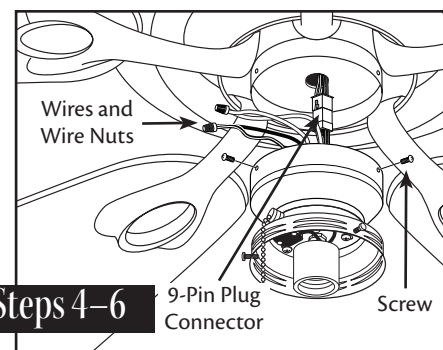
Finish attaching the light kit to the lower switch housing. Use the two attachment screws removed from the lower switch housing and the lock washers on the red tag. Partially install the screws into the light kit and the housing. Rotate the housing counterclockwise until the screws are locked into the narrow ends of the keyhole slots. Securely tighten the two screws.

WARNING: Improper installation could cause the light fixture to fall, or result in electrical shock or personal injury.

4. Remove the wire nuts from the two wires in the switch housing labeled "Connect Light Here" or "For Light Use."
Connect the black/white striped wire from the switch housing to the black wire from the light kit. Connect the white wire from the switch housing to the white wire from the light kit. Secure all wire connections using wire nuts.
To connect the wires, hold the bare metal leads together and place a wire nut over them, then twist the wire nut clockwise until tight.

CAUTION: Be sure no bare metal wires or wire strands are visible after making the connections.

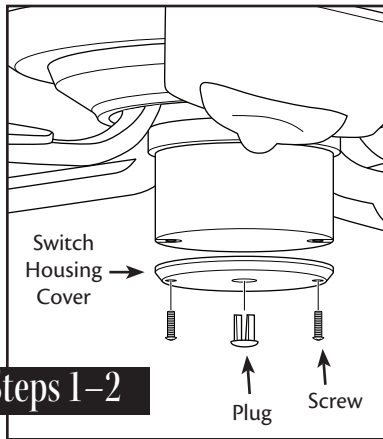
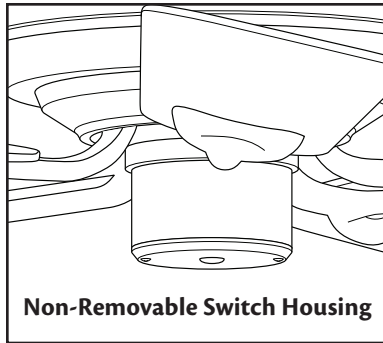
5. Reconnect the 9-pin plug connector.
6. Install screws to reattach the lower switch housing to the upper switch housing.
7. Go to the instructions for Installing the Bulbs, Chains, and Globe.



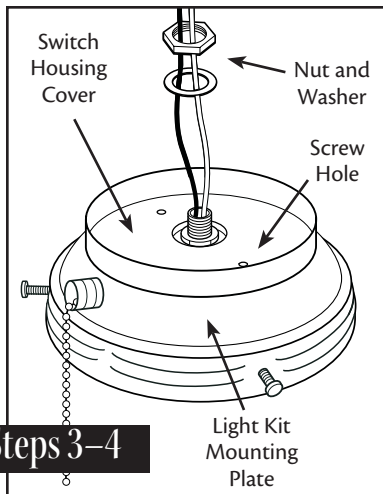
Steps 4-6

9-Pin Plug
Connector

Screw

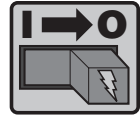


Steps 1-2



Steps 3-4

Installing the Light Kit on Fans with Non-Removable Switch Housing



1. Uninstall the two screws from the switch housing cover.
2. Remove the plug or screw from the center of the switch housing cover.
3. Thread the switch housing cover onto the wires from the light kit. Align the large ends of the keyholes in the light kit with the screw holes in the switch housing cover. Install the nut and washer onto the threaded rod from the light kit to secure the switch housing cover.
4. Finish attaching the light kit to the switch housing cover. Use the two attachment screws removed from the lower switch housing and the lock washers on the red tag. Partially install the screws into the light kit and the housing. Rotate the housing counterclockwise until the screws are locked into the narrow ends of the keyhole slots. Securely tighten the two screws.

⚠ WARNING: Improper installation could cause the light fixture to fall, or result in electrical shock or personal injury.

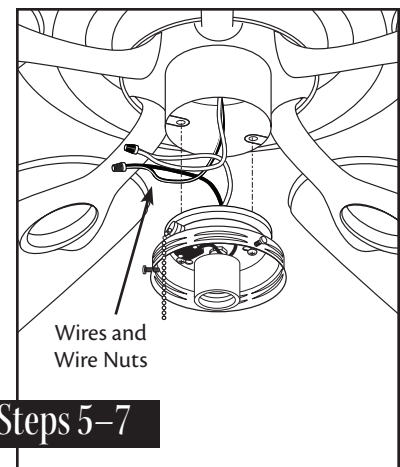
5. Remove the wire nuts from the two wires in the switch housing labeled "Connect Light Here" or "For Light Use." One wire is white and the other wire is black/white striped.

Connect the black/white striped wire from the switch housing to the black wire from the light kit. Connect the white wire from the switch housing to the white wire from the light kit. Secure all wire connections using wire nuts.

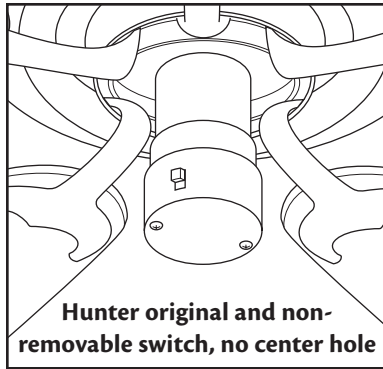
To connect the wires, hold the bare metal leads together and place a wire nut over them, then twist the wire nut clockwise until tight.

⚠ CAUTION: Be sure no bare metal wires or wire strands are visible after making the connections.

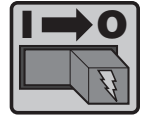
6. Align the locator posts in the switch housing cover with the screw holes in the switch housing.
7. Align the threaded screw holes in the switch housing cover with the threaded holes in the switch housing and install two screws.
8. Go to the instructions for Installing the Bulbs, Chains, and Globe.



Steps 5-7



Installing the Light Kit on Fans With Non-Removable Switch Housing and No Center Hole



1. Uninstall the two screws from the switch housing.
2. Remove the wire nuts from the two wires in the switch housing labeled "Connect Light Here" or "For Light Use." One wire is white and the other wire is black/white striped.

Connect the black/white striped wire from the switch housing to the black wire from the light kit. Connect the white wire from the switch housing to the white wire from the light kit. Secure all wire connections using wire nuts.

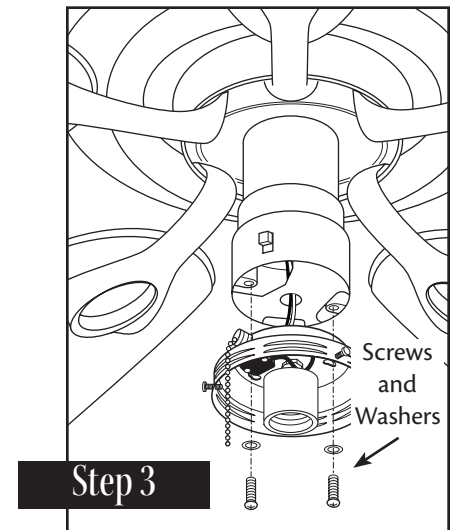
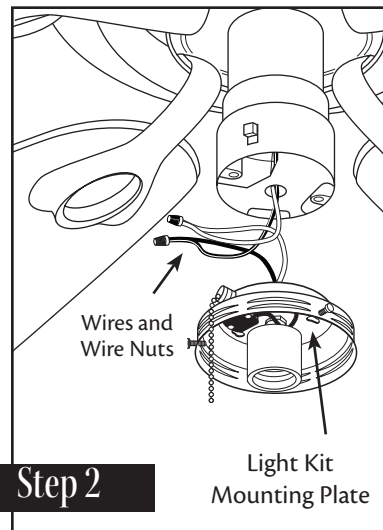
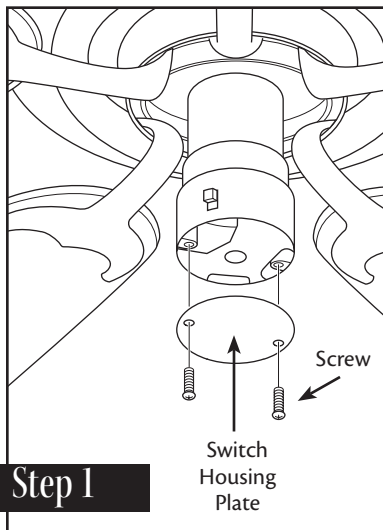
To connect the wires, hold the bare metal leads together and place a wire nut over them, then twist the wire nut clockwise until tight.

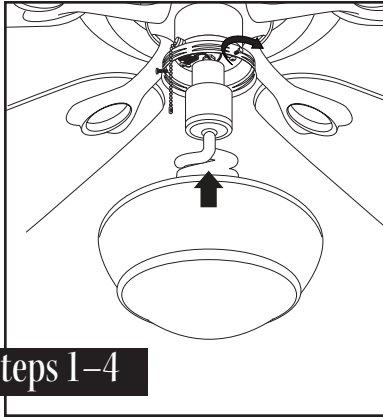
⚠ CAUTION: Be sure no bare metal wires or wire strands are visible after making the connections.

3. Finish attaching the light kit to the switch housing. Use the two screws removed from the switch housing and the lock washers on the red tag. Partially install the screws into the light kit and the housing. Rotate the light fixture clockwise until the screws are locked into the narrow ends of the keyhole slots. Securely tighten the two screws.

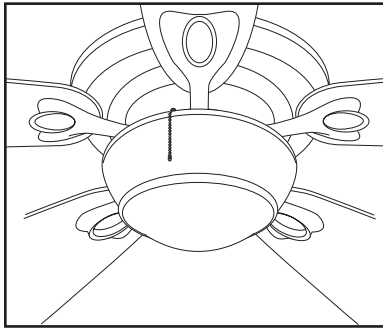
⚠ WARNING: Improper installation could cause the light fixture to fall, or result in electrical shock or personal injury.

4. Go to the instructions for Installing the Bulbs, Chains, and Globe.





Steps 1-4



Installing the Bulbs, Chains, and Globe

1. Install one 19-watt compact fluorescent light bulb (included) into the socket.
2. Loosen the three thumb screws in the light kit. Raise the glass globe to the light fixture, fitting the rim into the louvered edge. Ensure that the top edge of the globe clears the screws. Hand tighten the thumb screws.
3. Attach the provided breakaway connector onto the end of the pull chain.
4. The installation is complete and you can restore power to the ceiling fan.

Hunter Fan Company
2500 Frisco Avenue
Memphis, Tennessee 38114

Troubleshooting

Light does not come on.

1. Make sure bulbs are installed properly and filament is not blown.
2. Make sure breakers or fuses are on.
3. Verify that the light power lead is connected at the ceiling. Refer to your ceiling fan manual for locating assembly and wiring.

Glass rattles.

1. Make sure the glass globe is secure.

For other problems or questions, contact the Hunter Fan Company Technical Support at US 888-830-1326 / Canada 866-268-1936.
<http://www.hunterfan.com>

