

**ILLUSTRATED PARTS LIST**

**MODEL NUMBER 1827EXLT**

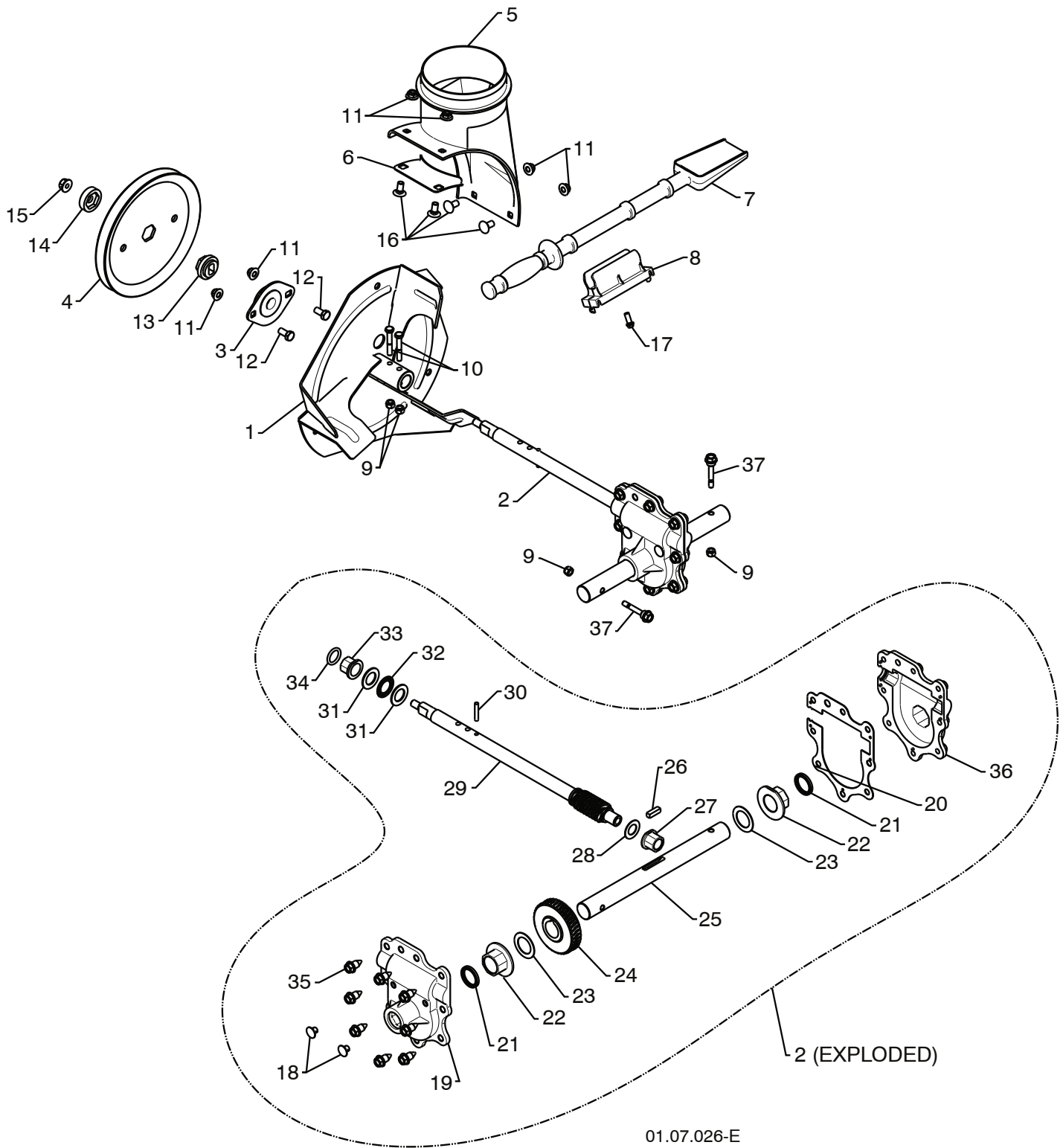
**PRODUCT NUMBER 961 93 00-77**

**MFG. ID. NUMBER 96193007700**

# REPAIR PARTS

# AUGER HOUSING / IMPELLER ASSEMBLY

SNOW THROWER - MODEL NO. 1827EXLT (96193007700), PRODUCT NO. 961 93 00-77



01.07.026-E

**NOTE:** All component dimensions given in U.S. inches. 1 inch = 25.4 mm  
**IMPORTANT:** Use only Original Equipment Manufacturer (O.E.M.) replacement parts.  
Failure to do so could be hazardous, damage your snow thrower and void your warranty.

## REPAIR PARTS

## AUGER HOUSING / IMPELLER ASSEMBLY

SNOW THROWER - MODEL NO. **1827EXLT** (96193007700), PRODUCT NO. 961 93 00-77

| KEY NO. | PART NO.     | DESCRIPTION          |
|---------|--------------|----------------------|
| 1       | 532 18 41-05 | IMPELLER             |
| 2       | 532 42 71-48 | GEARBOX ASSEMBLY     |
| 3       | 532 18 89-09 | BEARING              |
| 4       | 532 42 71-46 | IMPELLER PULLEY      |
| 5       | 532 44 24-38 | DISCHARGE BASE       |
| 6       | 532 18 40-95 | CORNER BRACKET       |
| 7       | 532 19 21-99 | CLEAN OUT TOOL       |
| 8       | 532 40 54-00 | TOOL CLIP            |
| 9       | 873 80 04-00 | NUT 1/4-20           |
| 10      | 874 78 04-26 | SCREW 1/4-20 X .625  |
| 11      | 532 42 79-42 | NUT 5/16-18          |
| 12      | 532 16 31-83 | SCREW 5/16-18 X .625 |
| 13      | 532 42 71-45 | IMPELLER HUB         |
| 14      | 532 42 71-54 | IMPELLER SLEEVE      |
| 15      | 873 90 06-00 | NUT 3/8-16           |
| 16      | 532 18 03-55 | CARRIAGE BOLT        |
| 17      | 532 19 41-89 | SCREW 13-16 X .625   |
| 18      | 532 40 77-60 | PLUG                 |
| 19      | 532 42 73-02 | GEARBOX COVER RH     |
| 20      | 532 42 73-45 | GASKET               |
| 21      | 532 40 77-70 | SEAL                 |
| 22      | 532 40 77-62 | BEARING              |
| 23      | 532 17 46-97 | THRUST WASHER 1.00   |
| 24      | 532 40 77-63 | WORM GEAR            |
| 25      | 532 40 77-64 | AUGER SHAFT          |
| 26      | 532 18 92-82 | SQUARE KEY           |
| 27      | 532 40 77-58 | BEARING              |
| 28      | 532 17 46-83 | THRUST WASHER        |
| 29      | 532 42 71-47 | IMPELLER SHAFT       |
| 30      | 532 18 42-05 | ROLL PIN             |
| 31      | 532 17 46-81 | THRUST WASHER        |
| 32      | 532 17 46-84 | THRUST BEARING       |
| 33      | 532 40 77-69 | BEARING              |
| 34      | 532 40 77-68 | O-RING               |
| 35      | 532 40 77-67 | SCREW 5/16-18 X .750 |
| 36      | 532 42 73-17 | GEARBOX COVER LH     |
| 37      | 532 19 20-90 | SHEAR BOLT           |

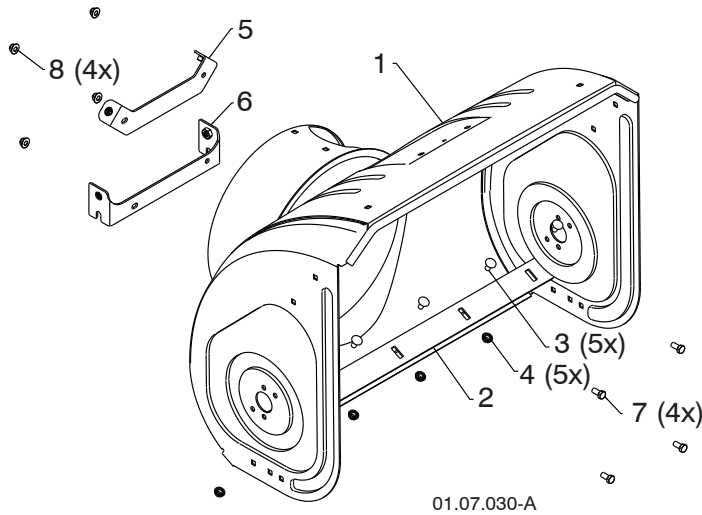
**NOTE:** All component dimensions given in U.S. inches. 1 inch = 25.4 mm

**IMPORTANT:** Use only Original Equipment Manufacturer (O.E.M.) replacement parts. Failure to do so could be hazardous, damage your snow thrower and void your warranty.

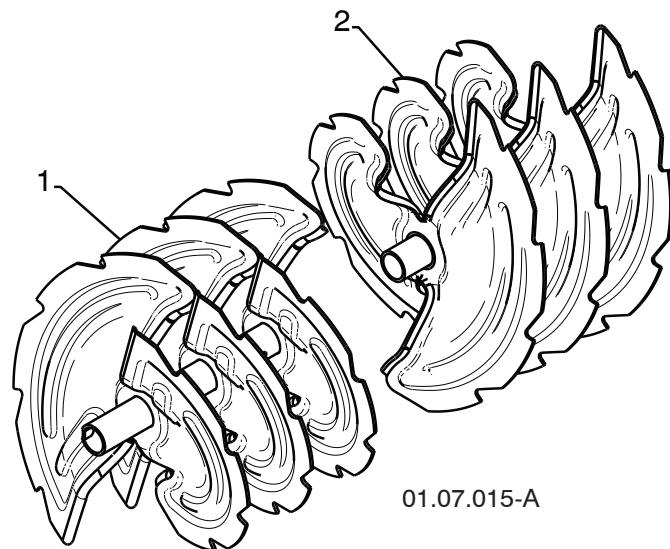
# REPAIR PARTS

# AUGER HOUSING / IMPELLER ASSEMBLY

SNOW THROWER - MODEL NO. 1827EXLT (96193007700), PRODUCT NO. 961 93 00-77



| KEY NO. | PART NO.     | DESCRIPTION                    |
|---------|--------------|--------------------------------|
| 1       | 532 44 36-84 | AUGER HOUSING 27               |
| 2       | 532 41 53-71 | SCRAPPER BAR                   |
| 3       | 872 27 05-05 | CARRIAGE BOLT 5/16 – 18 X .625 |
| 4       | 532 15 53-77 | NUT 5/16 – 18                  |
| 5       | 532 44 32-90 | UPPER BRACKET ASSEMBLY         |
| 6       | 532 44 32-91 | LOWER BRACKET ASSEMBLY         |
| 7       | 532 16 31-83 | CAPSCREW 5/16 – 18 X .625      |
| 8       | 532 42 79-42 | NUT NYLOCK 5/16 – 18           |



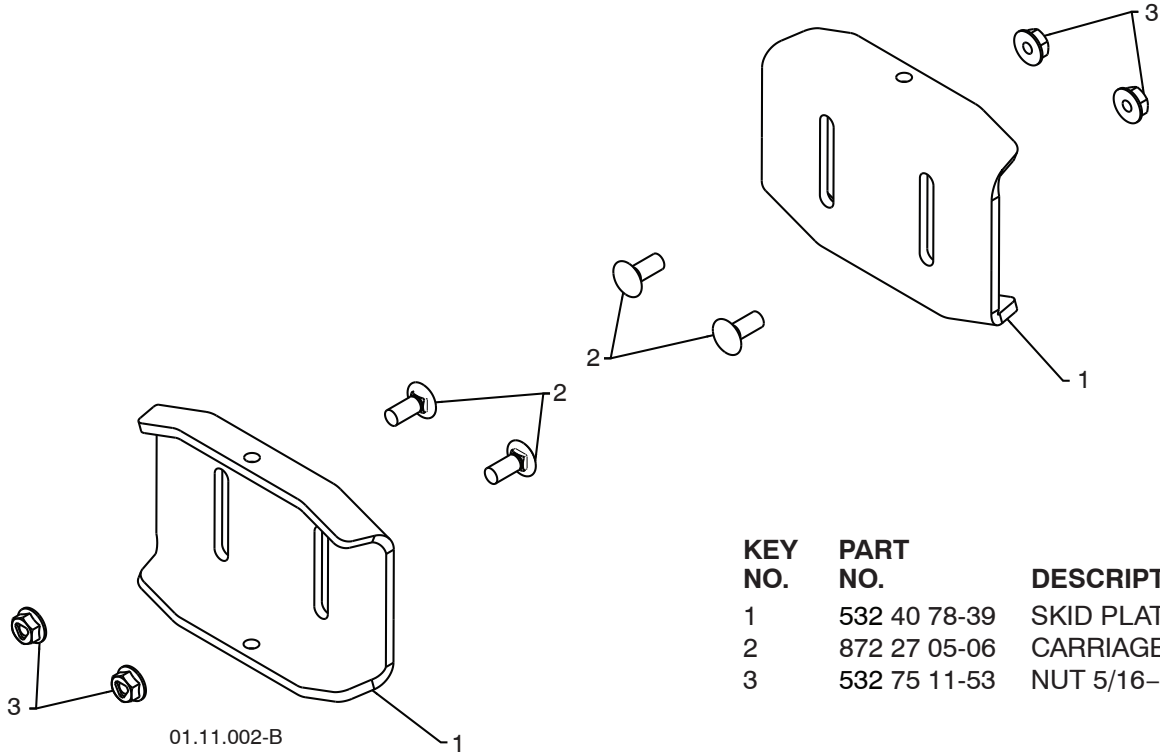
| KEY NO. | PART NO.     | DESCRIPTION          |
|---------|--------------|----------------------|
| 1       | 532 42 96-57 | AUGER ASSEMBLY 27 LH |
| 2       | 532 42 69-58 | AUGER ASSEMBLY 27 RH |

**NOTE:** All component dimensions given in U.S. inches. 1 inch = 25.4 mm  
**IMPORTANT:** Use only Original Equipment Manufacturer (O.E.M.) replacement parts. Failure to do so could be hazardous, damage your snow thrower and void your warranty.

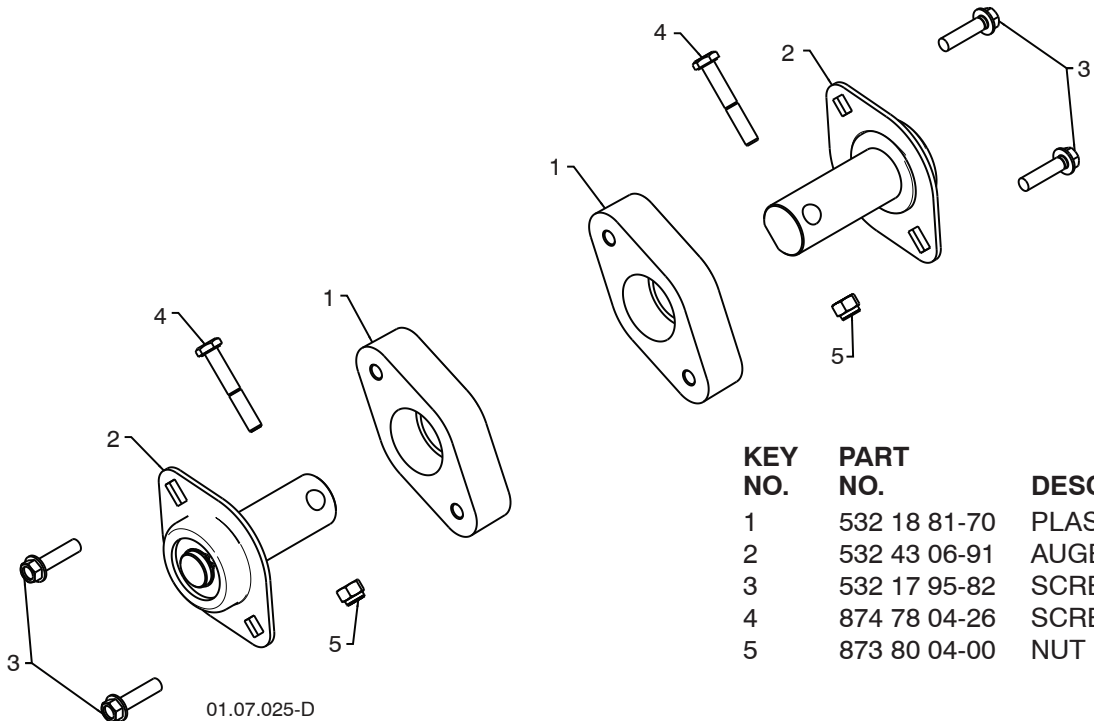
# REPAIR PARTS

# AUGER HOUSING / IMPELLER ASSEMBLY

SNOW THROWER - MODEL NO. 1827EXLT (96193007700), PRODUCT NO. 961 93 00-77



| KEY NO. | PART NO.     | DESCRIPTION                  |
|---------|--------------|------------------------------|
| 1       | 532 40 78-39 | SKID PLATE                   |
| 2       | 872 27 05-06 | CARRIAGE BOLT 5/16-18 X .750 |
| 3       | 532 75 11-53 | NUT 5/16-18                  |



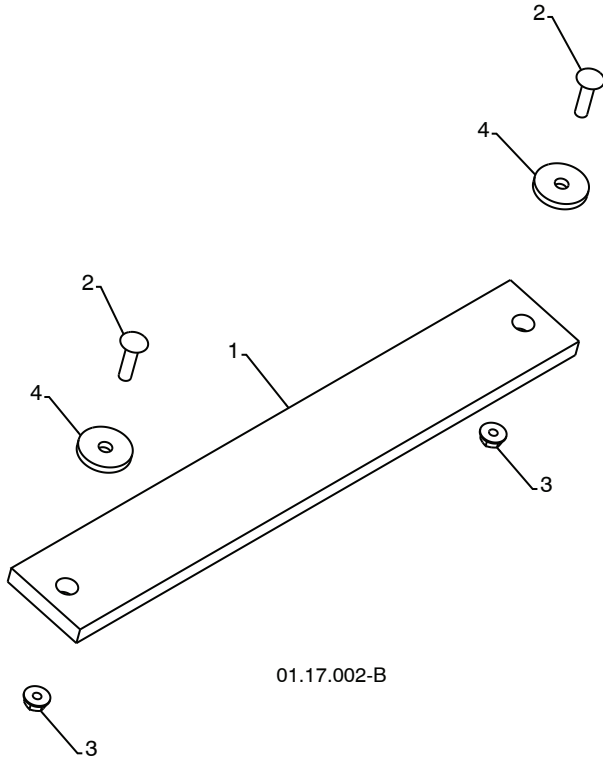
| KEY NO. | PART NO.     | DESCRIPTION          |
|---------|--------------|----------------------|
| 1       | 532 18 81-70 | PLASTIC RETAINER     |
| 2       | 532 43 06-91 | AUGER BALL BEARING   |
| 3       | 532 17 95-82 | SCREW 5/16-18 x 1.00 |
| 4       | 874 78 04-26 | SCREW 1/4-20 x .625  |
| 5       | 873 80 04-00 | NUT 1/4-20           |

**NOTE:** All component dimensions given in U.S. inches. 1 inch = 25.4 mm  
**IMPORTANT:** Use only Original Equipment Manufacturer (O.E.M.) replacement parts.  
 Failure to do so could be hazardous, damage your snow thrower and void your warranty.

# REPAIR PARTS

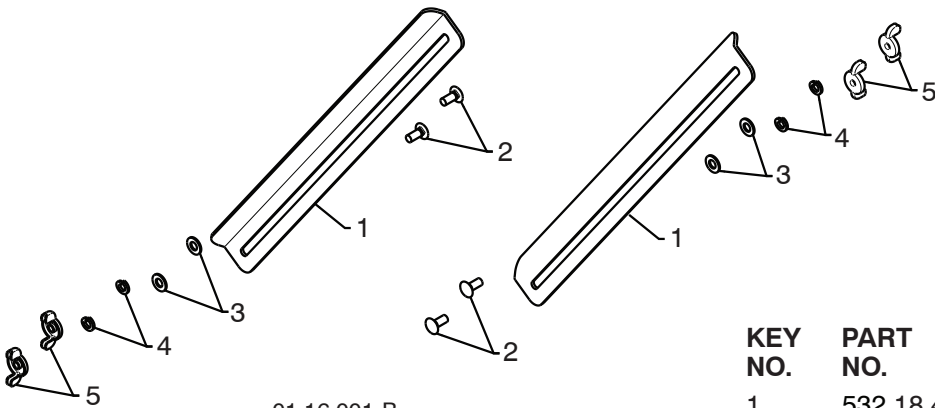
# AUGER HOUSING / IMPELLER ASSEMBLY

SNOW THROWER - MODEL NO. 1827EXLT (96193007700), PRODUCT NO. 961 93 00-77



01.17.002-B

| KEY NO. | PART NO.     | DESCRIPTION                  |
|---------|--------------|------------------------------|
| 1       | 532 18 25-15 | WEIGHT BAR                   |
| 2       | 872 11 05-10 | CARRIAGE BOLT 5/16-18 X 1.25 |
| 3       | 532 75 11-53 | NUT 5/16-18                  |
| 4       | 819 11 22-06 | WASHER                       |



01.16.001-B

| KEY NO. | PART NO.     | DESCRIPTION                  |
|---------|--------------|------------------------------|
| 1       | 532 18 47-47 | DRIFT CUTTER BAR             |
| 2       | 872 27 05-06 | CARRIAGE BOLT 5/16-18 X .750 |
| 3       | 532 17 92-46 | PLASTIC WASHER               |
| 4       | 810 04 05-00 | LOCKWASHER 5/16              |
| 5       | 532 12 86-38 | NUT 5/16-18                  |

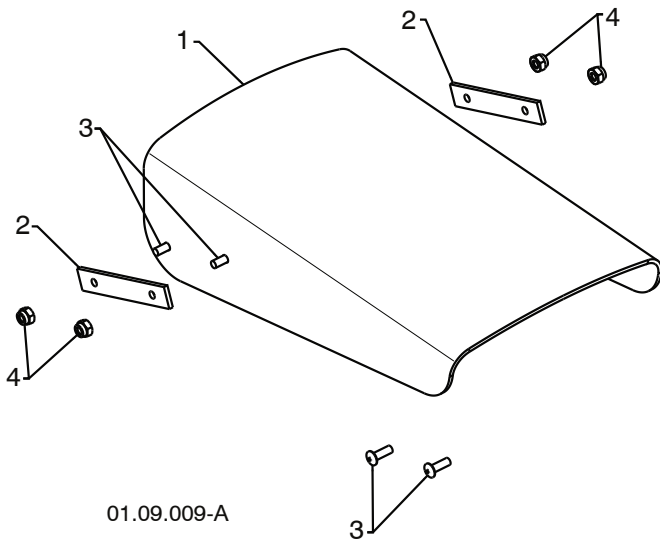
**NOTE:** All component dimensions given in U.S. inches. 1 inch = 25.4 mm  
**IMPORTANT:** Use only Original Equipment Manufacturer (O.E.M.) replacement parts.  
 Failure to do so could be hazardous, damage your snow thrower and void your warranty.



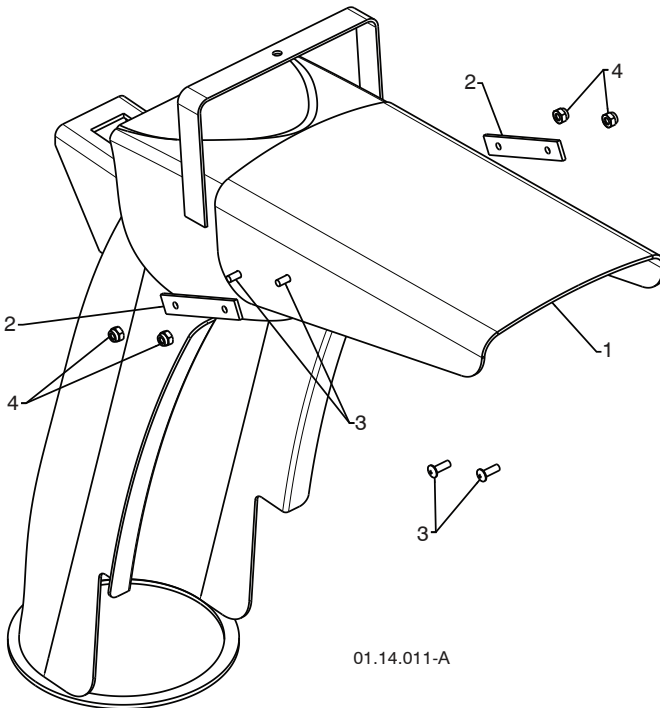
# REPAIR PARTS

# CONTROL PANEL / DISCHARGE CHUTE

SNOW THROWER - MODEL NO. 1827EXLT (96193007700), PRODUCT NO. 961 93 00-77



| KEY NO. | PART NO.     | DESCRIPTION      |
|---------|--------------|------------------|
| 1       | 532 42 11-38 | SHIELD DEFLECTOR |
| 2       | 532 42 32-47 | STRAP            |
| 3       | 532 18 22-27 | SCREW 8-32 X .50 |
| 4       | 532 18 22-28 | NUT 8-32         |



| KEY NO. | PART NO.     | DESCRIPTION      |
|---------|--------------|------------------|
| 1       | 532 42 11-38 | SHIELD DEFLECTOR |
| 2       | 532 42 32-47 | STRAP            |
| 3       | 532 18 22-27 | SCREW 8-32 X .50 |
| 4       | 532 18 22-28 | NUT 8-32         |

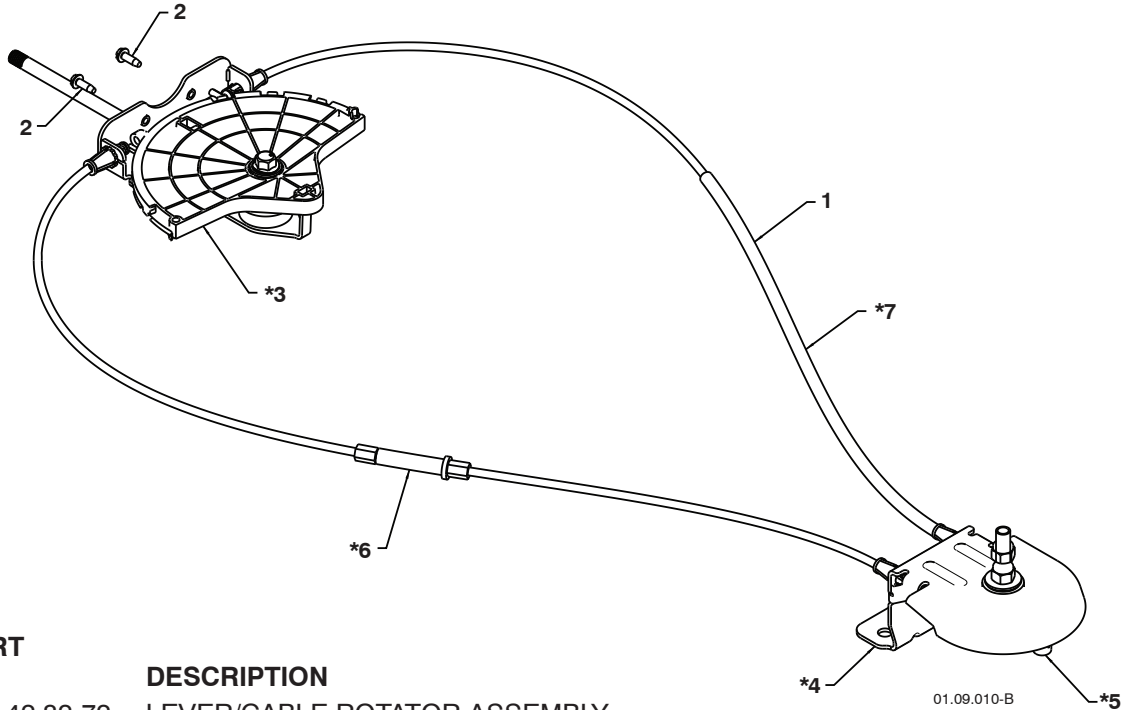
**NOTE:** All component dimensions given in U.S. inches. 1 inch = 25.4 mm  
**IMPORTANT:** Use only Original Equipment Manufacturer (O.E.M.) replacement parts.  
 Failure to do so could be hazardous, damage your snow thrower and void your warranty.



# REPAIR PARTS

# CONTROL PANEL / DISCHARGE CHUTE

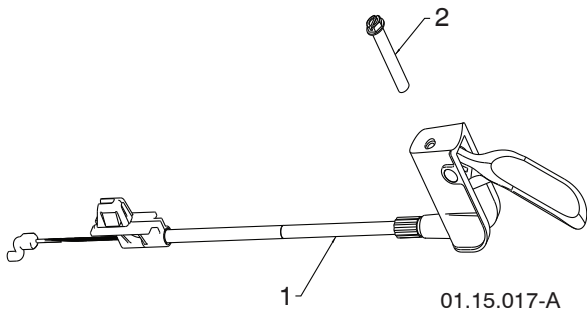
SNOW THROWER - MODEL NO. **1827EXLT** (96193007700), PRODUCT NO. 961 93 00-77



| KEY NO. | PART NO.     | DESCRIPTION                  |
|---------|--------------|------------------------------|
| 1       | 532 42 82-72 | LEVER/CABLE ROTATOR ASSEMBLY |
| 2       | 817 50 10-10 | SCREW 10-24 X .625           |
| *3      | 532 42 06-78 | ROTATOR HEAD                 |
| *4      | 532 40 59-32 | ROTATOR PIVOT BRACKET        |
| *5      | 532 42 06-75 | PULLEY PIVOT                 |
| *6      | 532 42 82-73 | CABLE ASSEMBLY ADJUSTABLE    |
| *7      | 532 42 83-10 | CABLE ASSEMBLY HEAT SHIELD   |

**NOTES:**

1. ITEMS INDICATED WITH AN \* ARE LISTED AS REFERENCE FOR SERVICE PARTS ONLY.



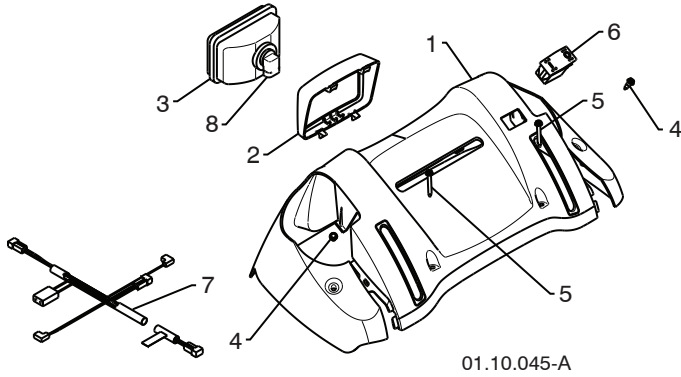
| KEY NO. | PART NO.     | DESCRIPTION        |
|---------|--------------|--------------------|
| 1       | 532 43 86-29 | STEER CABLE        |
| 2       | 874 04 10-24 | SCREW 10-24 X 1.50 |

**NOTE:** All component dimensions given in U.S. inches. 1 inch = 25.4 mm  
**IMPORTANT:** Use only Original Equipment Manufacturer (O.E.M.) replacement parts. Failure to do so could be hazardous, damage your snow thrower and void your warranty.

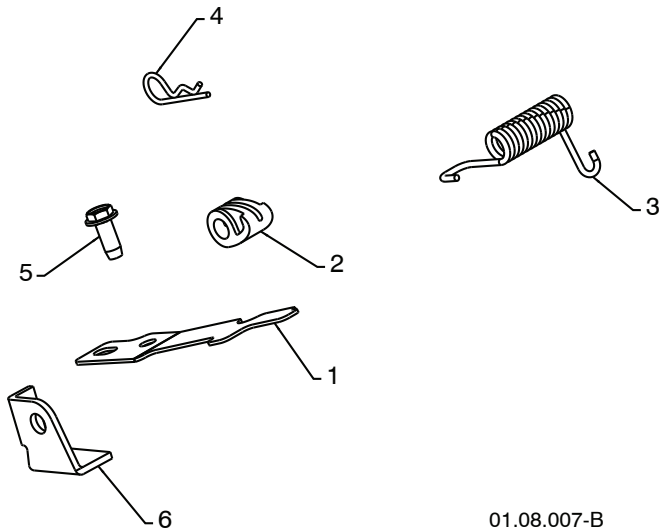
# REPAIR PARTS

# HANDLES

SNOW THROWER - MODEL NO. 1827EXLT (96193007700), PRODUCT NO. 961 93 00-77



| KEY NO. | PART NO.     | DESCRIPTION                 |
|---------|--------------|-----------------------------|
| 1       | 532 42 13-51 | CONSOLE PANEL GRAY          |
| 2       | 532 42 14-48 | HEADLIGHT BEZEL GRAY        |
| 3       | 532 17 86-66 | HALOGEN HEADLIGHT           |
| 4       | 532 18 44-71 | SHOULDER SCREW 10-24 X .625 |
| 5       | 532 17 52-62 | SCREW 10-24 X 1.25          |
| 6       | 532 41 77-60 | GRIP SWITCH                 |
| 7       | 532 44 49-78 | WIRE HARNESS                |
| 8       | 532 40 16-20 | BULB                        |



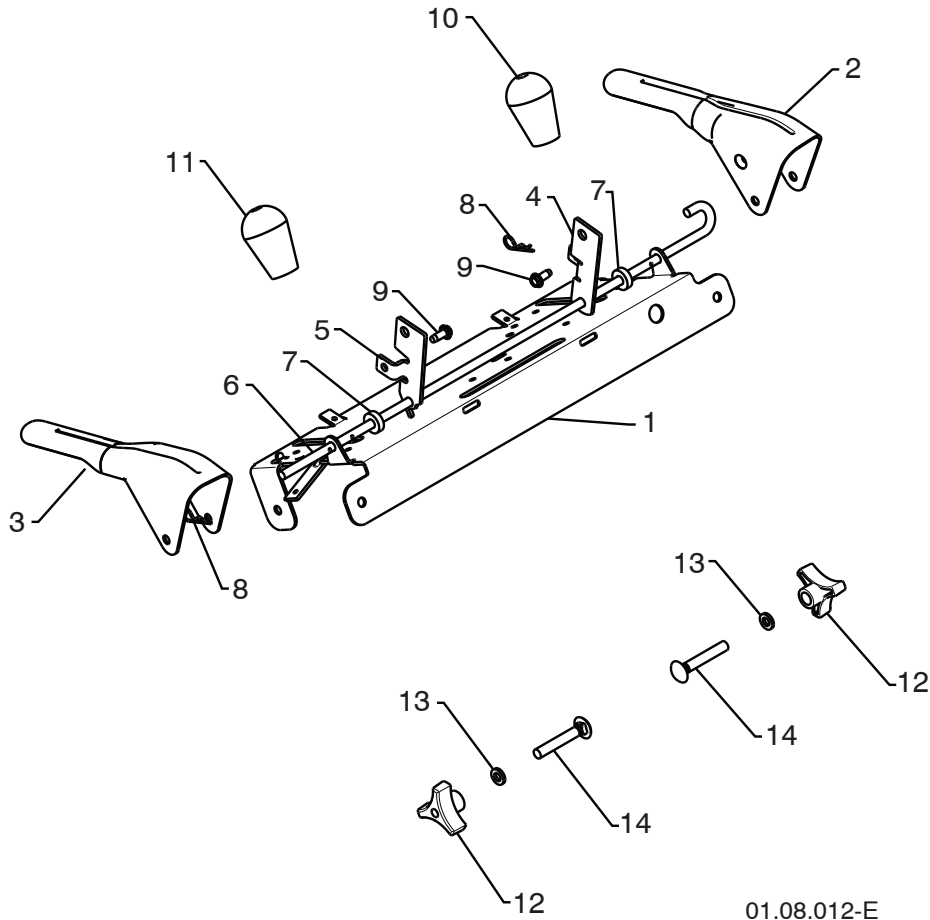
| KEY NO. | PART NO.     | DESCRIPTION         |
|---------|--------------|---------------------|
| 1       | 532 41 62-88 | INTERLOCK SPRING    |
| 2       | 532 41 45-72 | INTERLOCK CAM       |
| 3       | 532 17 88-31 | TORSION SPRING      |
| 4       | 532 16 96-75 | RETAINER            |
| 5       | 817 06 04-10 | SCREW 1/4-20 X .625 |
| 6       | 532 42 18-14 | INTERLOCK STOP      |

**NOTE:** All component dimensions given in U.S. inches. 1 inch = 25.4 mm  
**IMPORTANT:** Use only Original Equipment Manufacturer (O.E.M.) replacement parts. Failure to do so could be hazardous, damage your snow thrower and void your warranty.

# REPAIR PARTS

# HANDLES

SNOW THROWER - MODEL NO. **1827EXLT** (96193007700), PRODUCT NO. 961 93 00-77



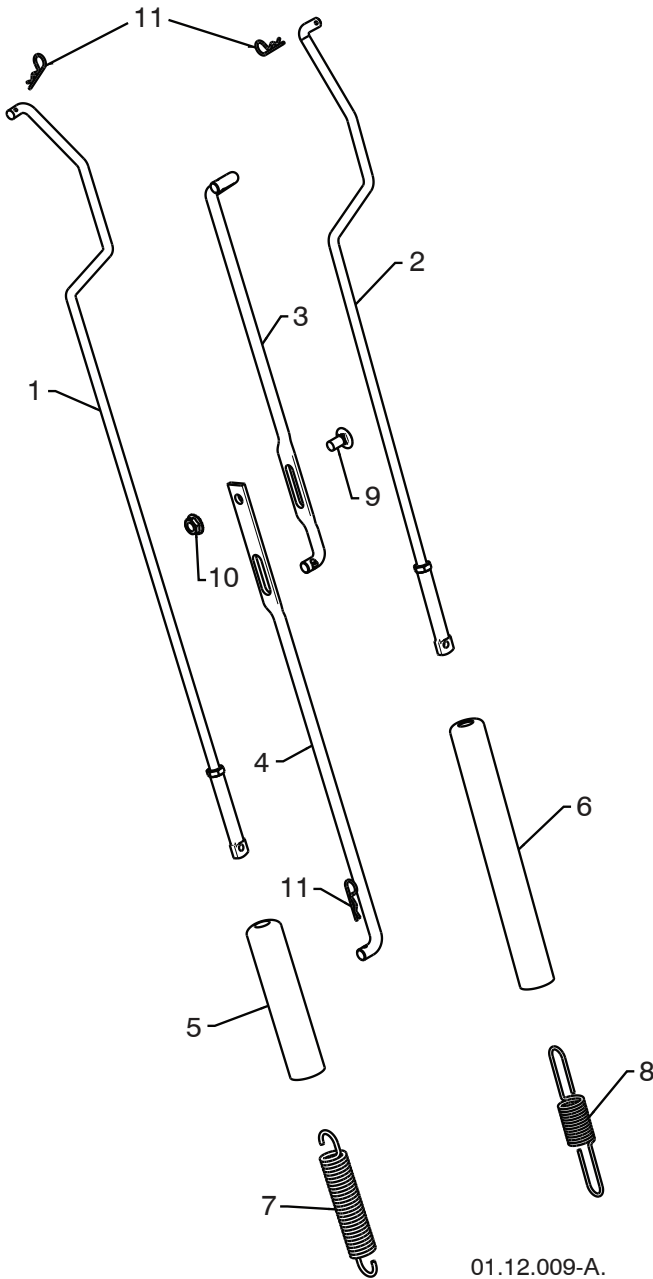
| KEY NO. | PART NO.     | DESCRIPTION                 |
|---------|--------------|-----------------------------|
| 1       | 532 41 55-39 | CONTROL PANEL               |
| 2       | 532 42 91-50 | CONTROL LEVER LH            |
| 3       | 532 42 91-51 | CONTROL LEVER RH            |
| 4       | 532 41 55-46 | TRACTION ROD ARM            |
| 5       | 532 42 90-98 | IMPELLER ROD ARM            |
| 6       | 532 41 26-77 | INTERLOCK ROD               |
| 7       | 532 42 16-13 | SPACER                      |
| 8       | 532 16 96-75 | RETAINER                    |
| 9       | 817 06 04-10 | SCREW 1/4-20 X .62          |
| 10      | 532 41 42-80 | KNOB BLACK                  |
| 11      | 532 41 42-81 | KNOB RED                    |
| 12      | 532 17 88-99 | HANDLE KNOB                 |
| 13      | 819 13 13-16 | WASHER 3/8                  |
| 14      | 872 12 06-18 | CARRIAGE BOLT 3/8-16 X 2.25 |

**NOTE:** All component dimensions given in U.S. inches. 1 inch = 25.4 mm  
**IMPORTANT:** Use only Original Equipment Manufacturer (O.E.M.) replacement parts. Failure to do so could be hazardous, damage your snow thrower and void your warranty.

# REPAIR PARTS

# HANDLES

SNOW THROWER - MODEL NO. 1827EXLT (96193007700), PRODUCT NO. 961 93 00-77



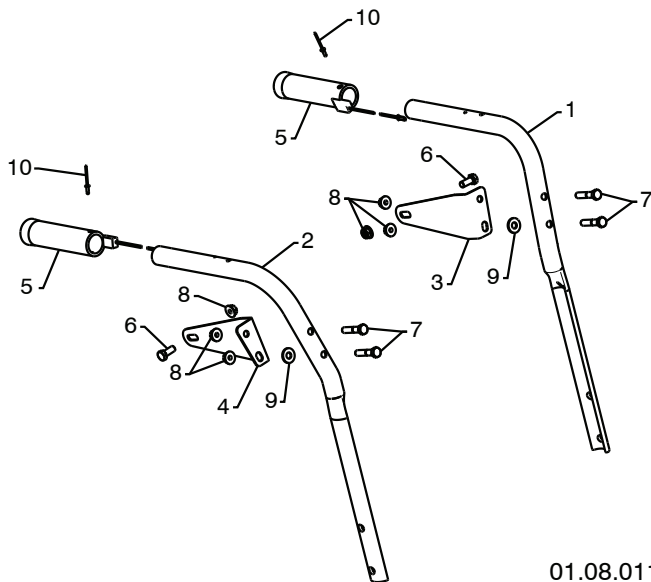
| KEY NO. | PART NO.     | DESCRIPTION                  |
|---------|--------------|------------------------------|
| 1       | 532 42 17-63 | IMPELLER ROD ASSEMBLY        |
| 2       | 532 42 98-32 | TRACTION ROD ASSEMBLY        |
| 3       | 532 18 77-82 | SHIFTER ROD TOP              |
| 4       | 532 18 77-84 | SHIFTER ROD BOTTOM           |
| 5       | 532 18 04-47 | SPRING SLEEVE                |
| 6       | 532 19 20-91 | SPRING SLEEVE                |
| 7       | 532 17 86-69 | IMPELLER SPRING              |
| 8       | 532 18 09-26 | TRACTION SPRING              |
| 9       | 872 27 05-05 | CARRIAGE BOLT 5/16-18 X .750 |
| 10      | 532 15 53-77 | NUT 5/16-18                  |
| 11      | 532 16 96-75 | RETAINER                     |

**NOTE:** All component dimensions given in U.S. inches. 1 inch = 25.4 mm  
**IMPORTANT:** Use only Original Equipment Manufacturer (O.E.M.) replacement parts.  
Failure to do so could be hazardous, damage your snow thrower and void your warranty.

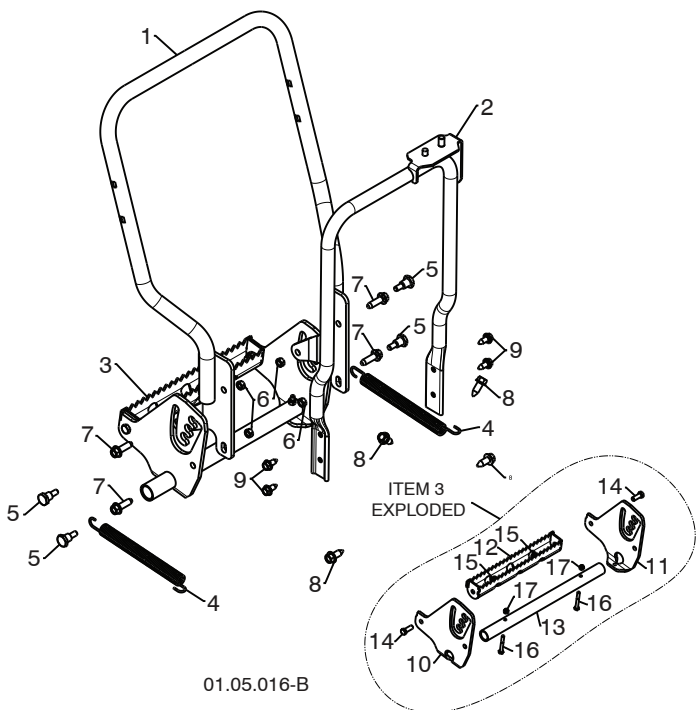
# REPAIR PARTS

# HANDLES

SNOW THROWER - MODEL NO. 1827EXLT (96193007700), PRODUCT NO. 961 93 00-77



| KEY NO. | PART NO.     | DESCRIPTION          |
|---------|--------------|----------------------|
| 1       | 532 42 17-08 | PLOW HANDLE LH       |
| 2       | 532 42 17-09 | PLOW HANDLE RH       |
| 3       | 532 42 91-48 | PANEL BRACKET LH     |
| 4       | 532 42 91-49 | PANEL BRACKET RH     |
| 5       | 532 41 45-15 | HEATED HANDLE GRIP   |
| 6       | 874 78 05-12 | SCREW 5/16-18 X .750 |
| 7       | 874 78 05-24 | SCREW 5/16-18 X 1.50 |
| 8       | 532 75 11-53 | NUT 5/16-18          |
| 9       | 532 15 54-15 | WASHER               |
| 10      | 532 17 87-75 | POP RIVET 1/8        |



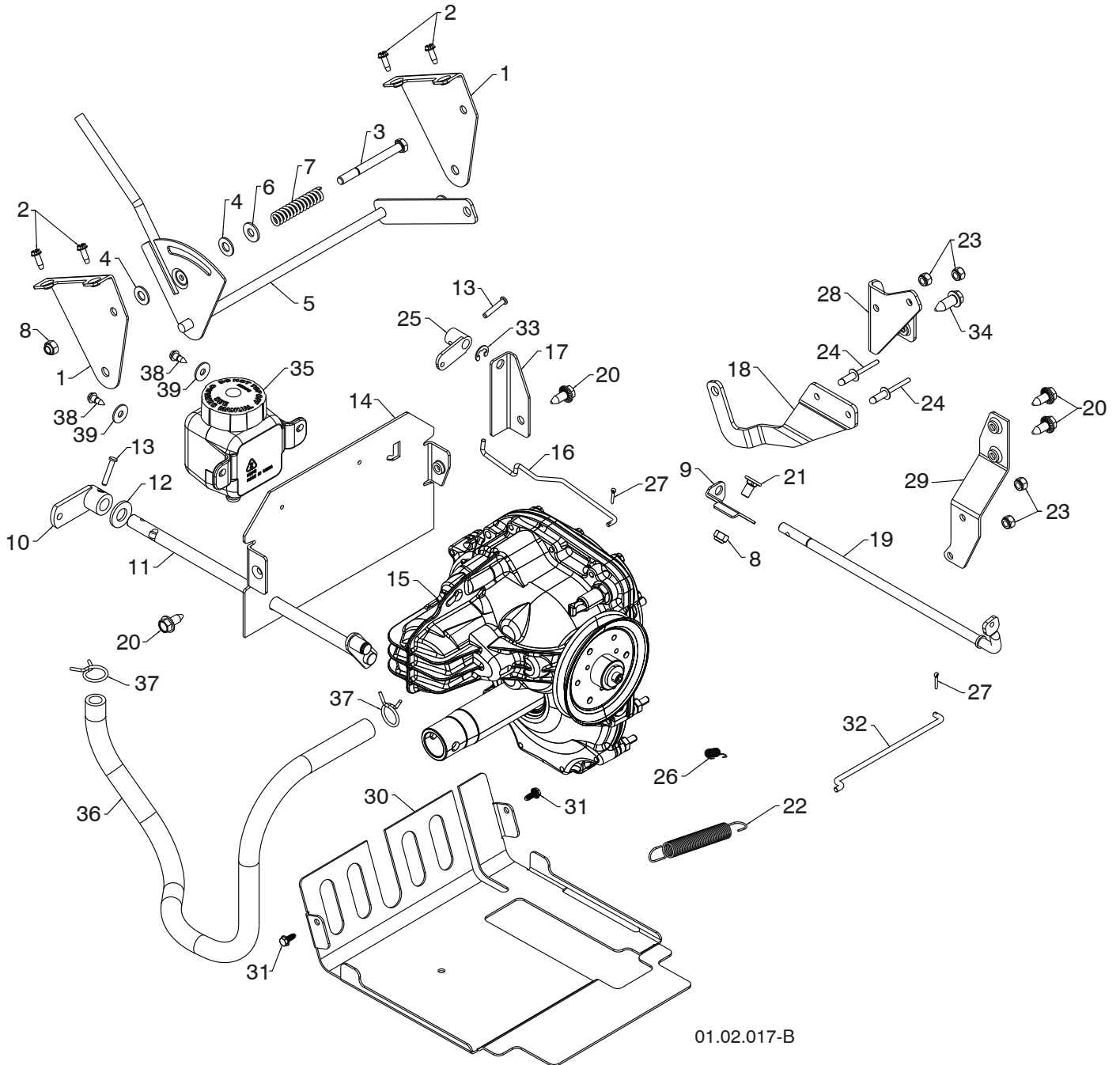
| KEY NO. | PART NO.     | DESCRIPTION                 |
|---------|--------------|-----------------------------|
| 1       | 532 44 42-32 | LOWER TUBE WELDMENT<br>GRAY |
| 2       | 532 44 36-17 | PIVOT SUPPORT               |
| 3       | 532 44 35-55 | FOOT ADJUST ASSEMBLY        |
| 4       | 532 44 32-48 | EXTENSION SPRING            |
| 5       | 532 44 36-60 | SHOULDER BOLT 5/16-18       |
| 6       | 873 93 05-00 | LOCKNUT 5/16-18             |
| 7       | 817 06 06-20 | SCREW 3/8-16 X 1.25         |
| 8       | 817 00 06-16 | SCREW 3/8-16 X 1.00         |
| 9       | 817 00 05-10 | SCREW 5/16-18 X .750        |
| 10      | 532 44 28-44 | RIGHT GUIDE PLATE           |
| 11      | 532 44 28-45 | LEFT GUIDE PLATE            |
| 12      | 532 44 28-46 | FOOT ADJUST PEDAL           |
| 13      | 532 44 28-49 | ANTI-ROTATE TUBE            |
| 14      | 874 78 06-16 | CAPSCREW 3/8-16 X 1.00      |
| 15      | 873 80 06-00 | NUT NYLOCK 3/8-16           |
| 16      | 847 46 04-32 | CAPSCREW 1/4-20 X 2.00      |
| 17      | 873 80 04-00 | NUT NYLOCK 1/4-20           |

**NOTE:** All component dimensions given in U.S. inches. 1 inch = 25.4 mm  
**IMPORTANT:** Use only Original Equipment Manufacturer (O.E.M.) replacement parts.  
 Failure to do so could be hazardous, damage your snow thrower and void your warranty.

# REPAIR PARTS

# DRIVE

SNOW THROWER - MODEL NO. 1827EXLT (96193007700), PRODUCT NO. 961 93 00-77



**NOTE:** All component dimensions given in U.S. inches. 1 inch = 25.4 mm  
**IMPORTANT:** Use only Original Equipment Manufacturer (O.E.M.) replacement parts.  
Failure to do so could be hazardous, damage your snow thrower and void your warranty.

**REPAIR PARTS****DRIVE****SNOW THROWER - MODEL NO. 1827EXLT (96193007700), PRODUCT NO. 961 93 00-77**

| <b>KEY<br/>NO.</b> | <b>PART<br/>NO.</b> | <b>DESCRIPTION</b>           |
|--------------------|---------------------|------------------------------|
| 1                  | 532 44 33-44        | SHIFT BRACKET                |
| 2                  | 817 50 10-10        | SCREW 10-24 X .625           |
| 3                  | 874 76 05-52        | SCREW 5/16-18 X 3.25         |
| 4                  | 532 17 92-46        | PLASTIC WASHER               |
| 5                  | 532 19 20-01        | SHIFT ASSEMBLY               |
| 6                  | 532 15 54-15        | WASHER                       |
| 7                  | 532 19 21-95        | FRICTION SPRING              |
| 8                  | 873 80 05-00        | NUT 5/16-18                  |
| 9                  | 532 42 98-03        | FRONT CLUTCH BRACKET         |
| 10                 | 532 44 31-91        | CONTROL ARM                  |
| 11                 | 532 42 75-42        | CONTROL SHAFT                |
| 12                 | 532 18 89-06        | WASHER                       |
| 13                 | 532 19 85-80        | CLEVIS PIN                   |
| 14                 | 532 40 78-68        | REAR PLATE                   |
| 15                 | 532 44 50-58        | TRANSMISSION                 |
| 16                 | 532 19 32-56        | ROD                          |
| 17                 | 532 42 98-05        | REAR CLUTCH BRACKET          |
| 18                 | 532 18 77-87        | CONTROL ARM                  |
| 19                 | 532 19 82-51        | CLUTCH SHAFT                 |
| 20                 | 532 42 88-67        | SCREW 5/16-18 X .750         |
| 21                 | 532 18 03-55        | CARRIAGE BOLT 5/16-18 X .625 |
| 22                 | 532 17 88-28        | BRAKE SPRING                 |
| 23                 | 873 80 04-00        | NUT 1/4-20                   |
| 24                 | 532 19 19-95        | POP RIVET 1/4 X .475         |
| 25                 | 532 19 82-49        | CLUTCH ARM                   |
| 26                 | 532 19 28-73        | TRACTION SPRING              |
| 27                 | 532 70 02-79        | RETAINER CLIP                |
| 28                 | 532 40 78-58        | ANTI-ROTATE BRACKET          |
| 29                 | 532 41 47-71        | TORQUE STRAP BRACKET         |
| 30                 | 532 44 42-33        | BOTTOM PAN                   |
| 31                 | 532 44 33-84        | SCREW 10-32 X .500           |
| 32                 | 532 19 82-50        | CLUTCH ROD                   |
| 33                 | 532 42 82-88        | E-RING .375                  |
| 34                 | 817 06 05-16        | SCREW 5/16-18 X 1.00         |
| 35                 | 574 81 13-01        | REMOTE EXPANSION TANK        |
| 36                 | 532 44 50-59        | HOSE EXPANSION TANK          |
| 37                 | 532 44 51-52        | SPRING HOSE CLAMP .750       |
| 38                 | 532 18 44-71        | SHOULDER BOLT 10-24 X 6.25   |
| 39                 | 532 05 38-47        | WASHER                       |

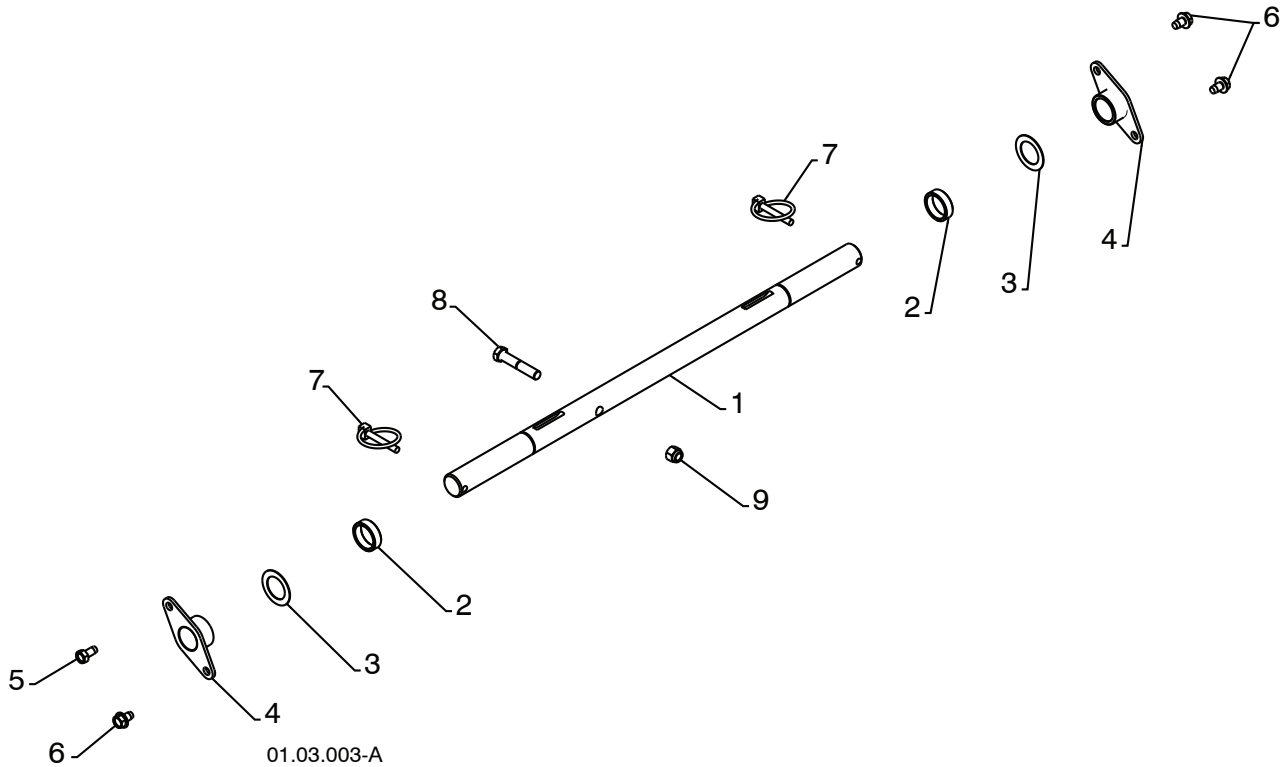
**NOTE:** All component dimensions given in U.S. inches. 1 inch = 25.4 mm

**IMPORTANT:** Use only Original Equipment Manufacturer (O.E.M.) replacement parts. Failure to do so could be hazardous, damage your snow thrower and void your warranty.

# REPAIR PARTS

# DRIVE

SNOW THROWER - MODEL NO. 1827EXLT (96193007700), PRODUCT NO. 961 93 00-77



| KEY NO. | PART NO.     | DESCRIPTION          |
|---------|--------------|----------------------|
| 1       | 532 40 43-08 | AXLE SHAFT           |
| 2       | 532 18 77-94 | SPACER               |
| 3       | 532 17 46-97 | THRUST WASHER        |
| 4       | 532 17 98-30 | BEARING              |
| 5       | 532 14 63-15 | SCREW 5/16-18 X .625 |
| 6       | 817 49 05-08 | BOLT 5/16-18 X .500  |
| 7       | 532 15 54-43 | CLIK PIN             |
| 8       | 874 78 06-32 | SCREW 3/8-16 X 2.00  |
| 9       | 873 80 06-00 | NUT 3/8-16           |

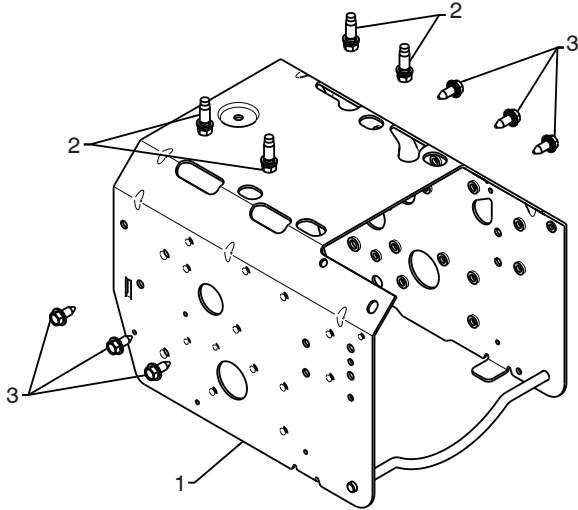
**NOTE:** All component dimensions given in U.S. inches. 1 inch = 25.4 mm  
**IMPORTANT:** Use only Original Equipment Manufacturer (O.E.M.) replacement parts.  
Failure to do so could be hazardous, damage your snow thrower and void your warranty.



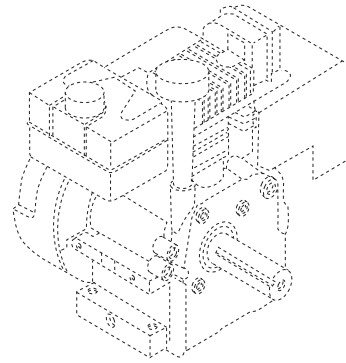
# REPAIR PARTS

# CHASSIS / PULLEYS

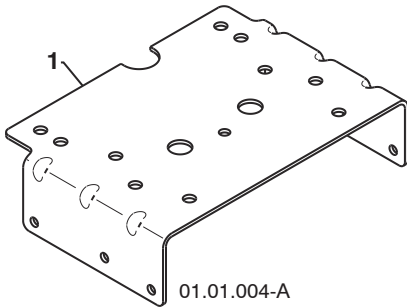
SNOW THROWER - MODEL NO. 1827EXLT (96193007700), PRODUCT NO. 961 93 00-77



01.00.033-A

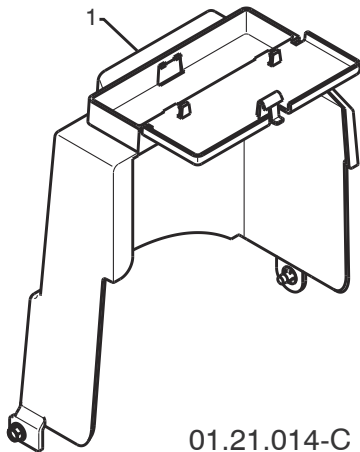


| KEY NO. | PART NO.     | DESCRIPTION                         |
|---------|--------------|-------------------------------------|
| --      | 532 44 33-26 | COMPLETE LCT ENGINE PW4HK191150781E |
| 1       | 532 42 92-03 | FRAME                               |
| 2       | 532 15 04-06 | BOLT 3/8-16                         |
| 3       | 532 42 88-67 | SCREW 5/16-18 X .750                |



01.01.004-A

| KEY NO. | PART NO.     | DESCRIPTION           |
|---------|--------------|-----------------------|
| 1       | 532 42 92-69 | ENGINE MOUNTING PLATE |



01.21.014-C

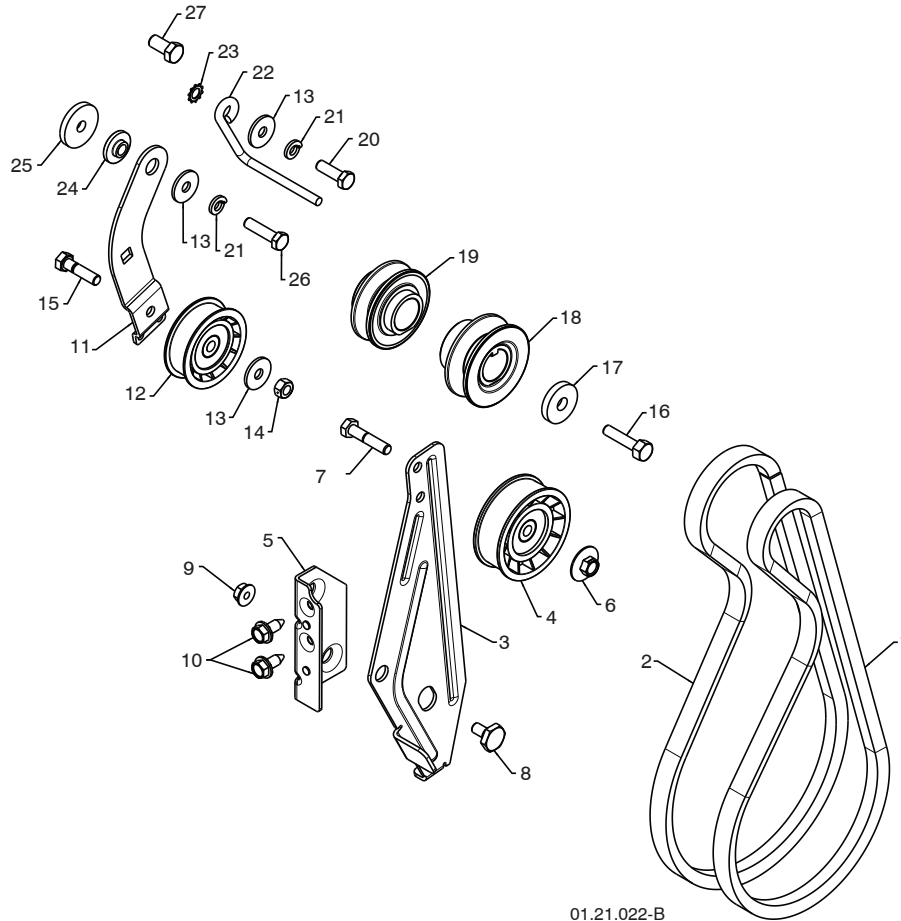
| KEY NO. | PART NO.     | DESCRIPTION    |
|---------|--------------|----------------|
| 1       | 532 42 86-85 | COVER ASSEMBLY |

**NOTE:** All component dimensions given in U.S. inches. 1 inch = 25.4 mm  
**IMPORTANT:** Use only Original Equipment Manufacturer (O.E.M.) replacement parts. Failure to do so could be hazardous, damage your snow thrower and void your warranty.

# REPAIR PARTS

# CHASSIS / PULLEYS

SNOW THROWER - MODEL NO. **1827EXLT** (96193007700), PRODUCT NO. 961 93 00-77



01.21.022-B

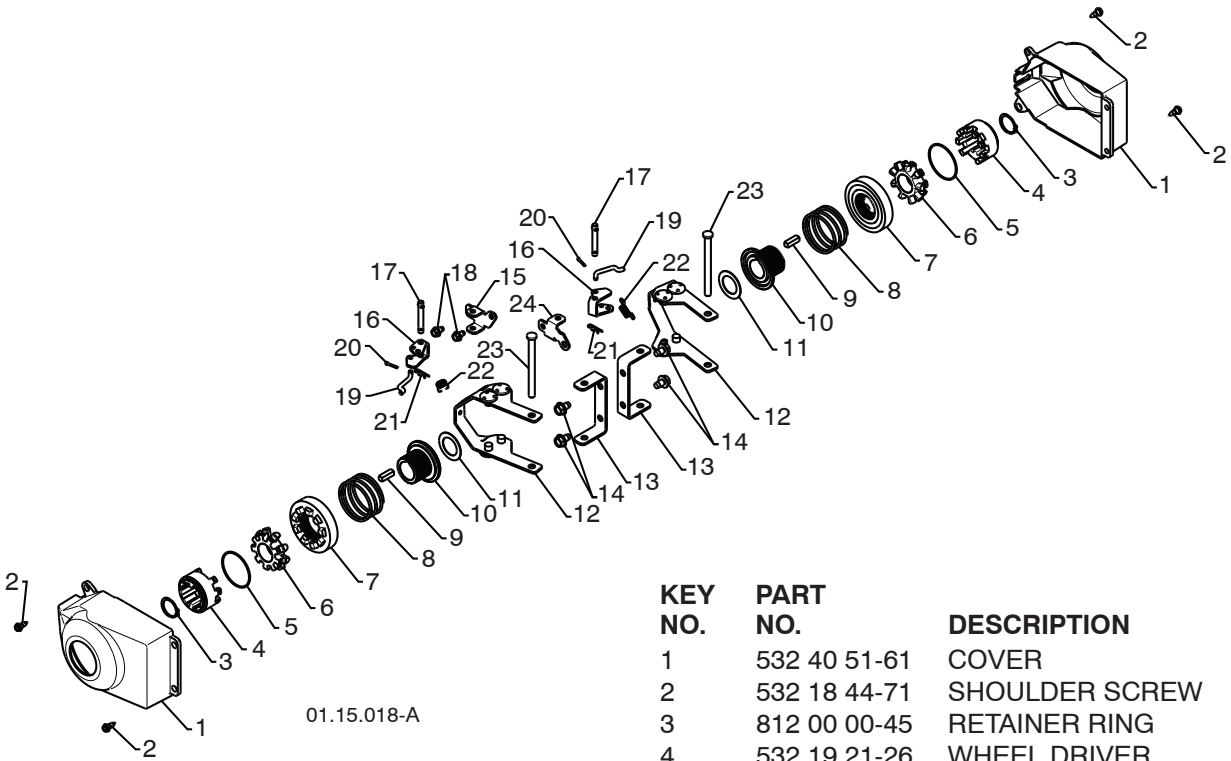
| KEY NO. | PART NO.     | DESCRIPTION                 | KEY NO. | PART NO.     | DESCRIPTION           |
|---------|--------------|-----------------------------|---------|--------------|-----------------------|
| 1       | 532 41 98-88 | IMPELLER BELT               | 15      | 874 78 05-20 | SCREW 5/16-18 X 1.25  |
| 2       | 532 42 84-54 | TRACTION BELT               | 16      | 532 85 10-84 | SCREW 3/8-24 X 1 .375 |
| 3       | 532 42 92-71 | IDLER ARM BRACKET           | 17      | 819 13 20-05 | WASHER                |
| 4       | 532 18 05-23 | IDLER PULLEY                | 18      | 532 42 59-34 | PULLEY ENG IMPELLER   |
| 5       | 532 42 92-70 | IDLER BRACKET               | 19      | 532 42 59-33 | PULLEY ENG TRACTION   |
| 6       | 532 42 65-89 | NUT 5/16-18                 | 20      | 874 61 05-16 | SCREW 5/16-24 X 1.00  |
| 7       | 874 78 05-24 | SCREW 5/16-18 X 1.50        | 21      | 810 04 05-00 | LOCKWASHER 5/16       |
| 8       | 532 42 42-97 | SHOULDER BOLT 5/16-18 X .50 | 22      | 532 19 36-07 | BELT GUIDE            |
| 9       | 532 75 11-53 | NUT 5/16-18 LOCK            | 23      | 811 05 05-00 | LOCKWASHER 5/16       |
| 10      | 817 00 05-10 | SCREW 5/16-18 X .625        | 24      | 532 17 53-31 | IDLER BUSHING         |
| 11      | 532 42 75-76 | TRACTION IDLER BRACKET      | 25      | 819 11 22-06 | WASHER                |
| 12      | 532 18 05-22 | TRACTION PULLEY             | 26      | 874 61 05-20 | SCREW 5/16-24 X 1.25  |
| 13      | 532 05 92-89 | WASHER                      | 27      | 874 76 06-08 | SCREW 3/8-16 X .750   |
| 14      | 873 80 05-00 | NUT 5/16-18                 |         |              |                       |

**NOTE:** All component dimensions given in U.S. inches. 1 inch = 25.4 mm  
**IMPORTANT:** Use only Original Equipment Manufacturer (O.E.M.) replacement parts.  
 Failure to do so could be hazardous, damage your snow thrower and void your warranty.

# REPAIR PARTS

# TRACKS

SNOW THROWER - MODEL NO. **1827EXLT** (96193007700), PRODUCT NO. 961 93 00-77



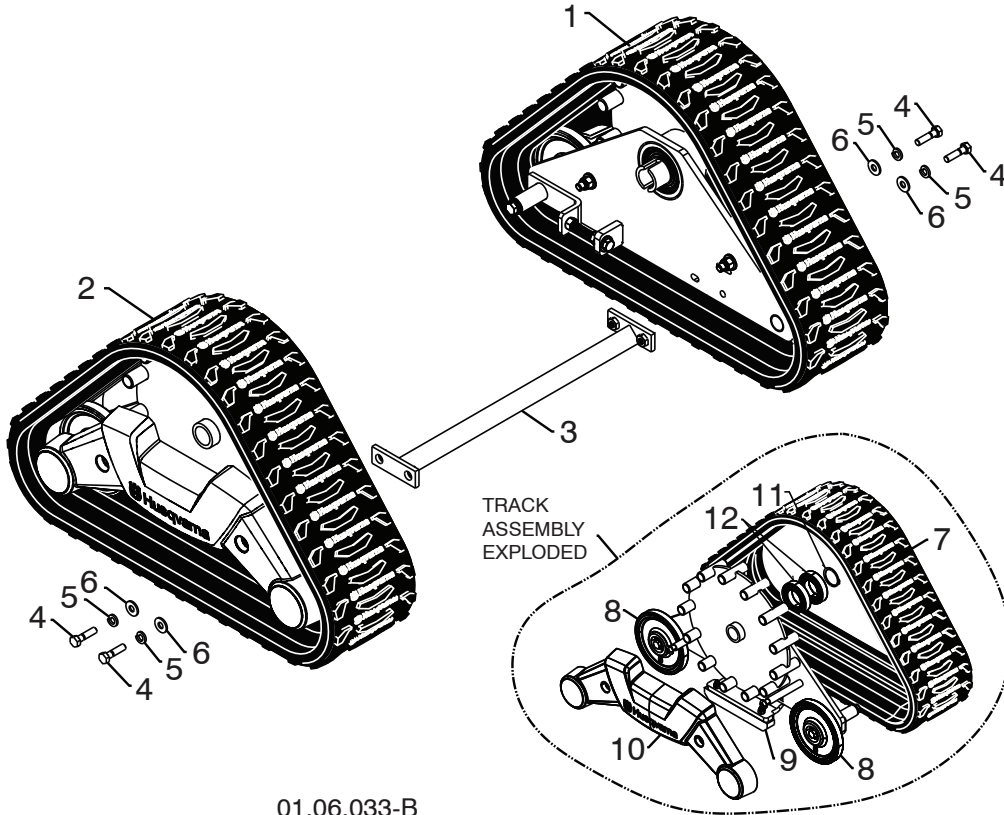
| KEY NO. | PART NO.     | DESCRIPTION         |
|---------|--------------|---------------------|
| 1       | 532 40 51-61 | COVER               |
| 2       | 532 18 44-71 | SHOULDER SCREW      |
| 3       | 812 00 00-45 | RETAINER RING       |
| 4       | 532 19 21-26 | WHEEL DRIVER        |
| 5       | 532 18 24-66 | RETAINER RING       |
| 6       | 532 18 76-22 | WHEEL LOBE          |
| 7       | 532 44 38-84 | CLUTCH SLIDE        |
| 8       | 532 17 91-39 | SPRING              |
| 9       | 532 18 92-82 | SQUARE KEY          |
| 10      | 532 19 49-40 | AXLE LOBE           |
| 11      | 532 17 46-97 | THRUST WASHER       |
| 12      | 532 19 95-19 | STEERING YOKE       |
| 13      | 532 18 41-97 | STEERING BRACKET    |
| 14      | 817 49 05-08 | SCREW 5/16-18 X .50 |
| 15      | 532 19 95-11 | PIVOT BRACKET       |
| 16      | 532 19 95-18 | BELLCRANK           |
| 17      | 532 18 18-47 | BELLCRANK PIN       |
| 18      | 817 60 04-06 | SCREW 1/4-20 X .375 |
| 19      | 532 40 50-77 | STEERING LINK       |
| 20      | 532 70 02-79 | RETAINER            |
| 21      | 532 08 51-79 | RETAINER            |
| 22      | 532 19 38-85 | SPRING              |
| 23      | 532 18 20-15 | LEVER PIN           |
| 24      | 532 19 95-12 | PIVOT BRACKET       |

**NOTE:** All component dimensions given in U.S. inches. 1 inch = 25.4 mm  
**IMPORTANT:** Use only Original Equipment Manufacturer (O.E.M.) replacement parts.  
 Failure to do so could be hazardous, damage your snow thrower and void your warranty.

# REPAIR PARTS

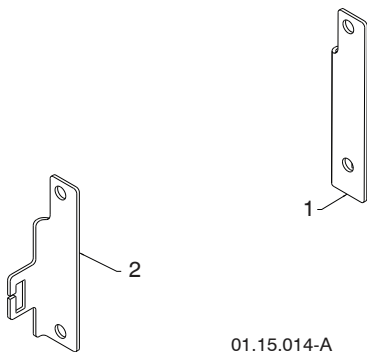
# TRACKS

SNOW THROWER - MODEL NO. 1827EXLT (96193007700), PRODUCT NO. 961 93 00-77



01.06.033-B

| KEY NO. | PART NO.     | DESCRIPTION               | KEY NO. | PART NO.     | DESCRIPTION  |
|---------|--------------|---------------------------|---------|--------------|--------------|
| 1       | 532 44 33-89 | TRACK ASSEMBLY LH         | 7       | 532 44 33-90 | TRACK BELT   |
| 2       | 532 44 33-88 | TRACK ASSEMBLY RH         | 8       | 532 44 31-19 | IDLER WHEEL  |
| 3       | 532 44 32-67 | SUPPORT BRACE ASSEMBLY    | 9       | 532 44 33-91 | NYLON SKID   |
| 4       | 874 78 05-20 | CAPSCREW 5/16 – 18 X 1.25 | 10      | 532 44 27-45 | COVER        |
| 5       | 810 04 05-00 | LOCKWASHER 5/16           | 11      | 532 44 38-31 | SNAP RING    |
| 6       | 532 15 54-15 | FLAT WASHER               | 12      | 532 44 33-92 | BALL BEARING |



01.15.014-A

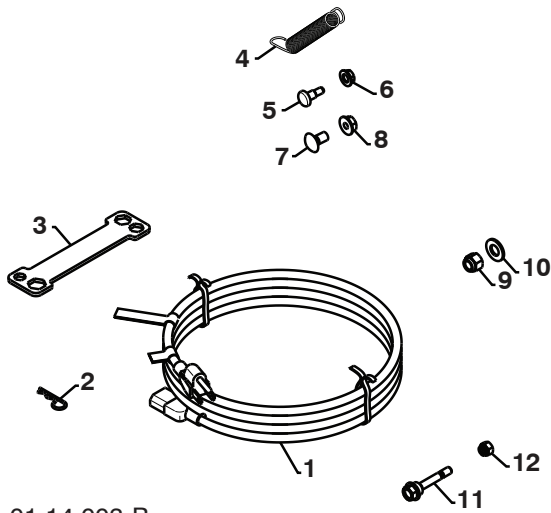
| KEY NO. | PART NO.     | DESCRIPTION            |
|---------|--------------|------------------------|
| 1       | 532 44 33-22 | STEER CABLE BRACKET LH |
| 2       | 532 43 84-45 | STEER CABLE BRACKET RH |

**NOTE:** All component dimensions given in U.S. inches. 1 inch = 25.4 mm  
**IMPORTANT:** Use only Original Equipment Manufacturer (O.E.M.) replacement parts. Failure to do so could be hazardous, damage your snow thrower and void your warranty.

# REPAIR PARTS

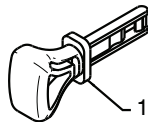
# BAG OF PARTS

SNOW THROWER - MODEL NO. 1827EXLT (96193007700), PRODUCT NO. 961 93 00-77



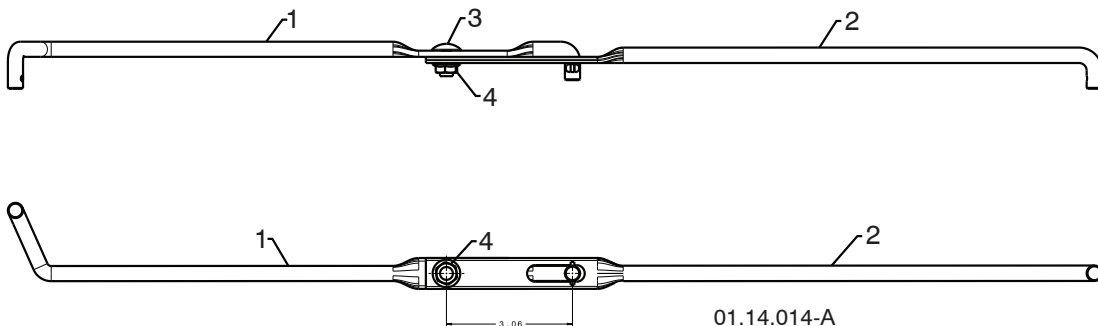
01.14.003-B

| KEY NO. | PART NO.     | DESCRIPTION                 |
|---------|--------------|-----------------------------|
| 1       | 532 19 85-63 | POWER CORD                  |
| 2       | 532 16 96-75 | RETAINER PIN                |
| 3       | 532 18 06-84 | WRENCH                      |
| 4       | 532 18 45-05 | REMOTE SPRING               |
| 5       | 532 17 98-29 | SHOULDER BOLT 1/4-20        |
| 6       | 532 19 17-30 | LOCKNUT 1/4-20              |
| 7       | 872 25 05-05 | CARRIAGE BOLT 5/16-18 X 5/8 |
| 8       | 532 75 11-53 | LOCKNUT 5/16-18             |
| 9       | 873 80 06-00 | LOCKNUT 3/8-16              |
| 10      | 819 13 13-16 | WASHER 3/8                  |
| 11      | 532 19 20-90 | SHEAR BOLT 1/4-20 X 1-13/16 |
| 12      | 873 80 04-00 | LOCKNUT 1/4-20              |



01.14.009-B

| KEY NO. | PART NO.     | DESCRIPTION             |
|---------|--------------|-------------------------|
| 1       | 532 44 30-59 | SAFETY IGNITION KEY KIT |



01.14.014-A

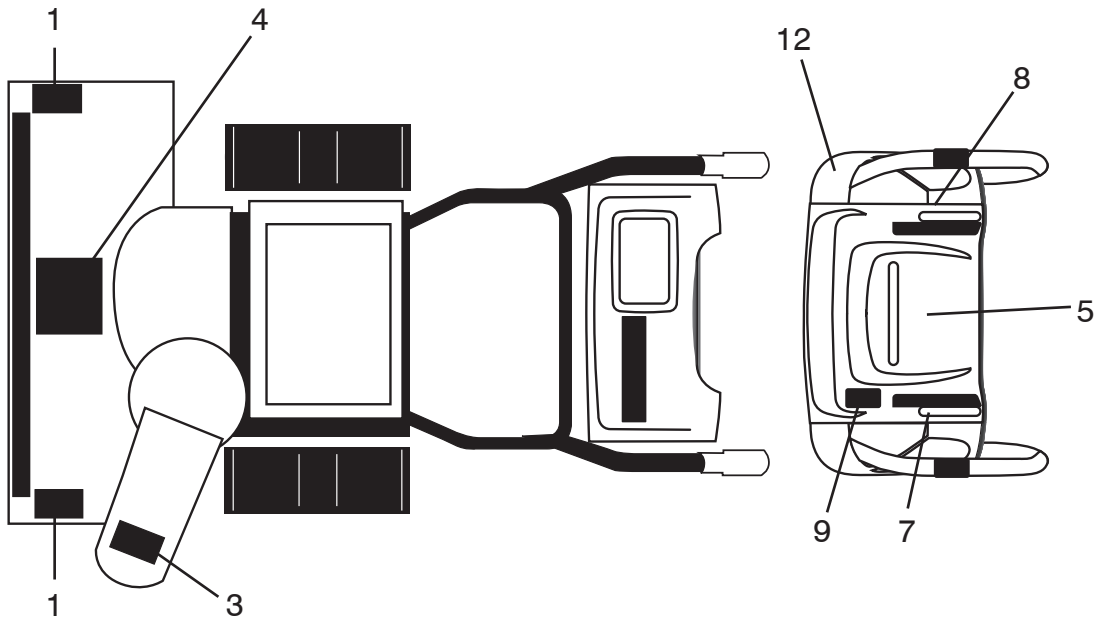
| KEY NO. | PART NO.     | DESCRIPTION                 |
|---------|--------------|-----------------------------|
| 1       | 532 18 77-82 | SHIFTER ROD TOP             |
| 2       | 532 18 77-84 | SHIFTER ROD BOTTOM          |
| 3       | 872 27 05-05 | CARRIAGE BOLT 5/16-18 X .75 |
| 4       | 532 15 53-77 | NUT 5/16-18                 |

**NOTE:** All component dimensions given in U.S. inches. 1 inch = 25.4 mm  
**IMPORTANT:** Use only Original Equipment Manufacturer (O.E.M.) replacement parts.  
 Failure to do so could be hazardous, damage your snow thrower and void your warranty.

# REPAIR PARTS

# DECALS

SNOW THROWER - MODEL NO. 1827EXLT (96193007700), PRODUCT NO. 961 93 00-77



| KEY NO. | PART NO.     | DESCRIPTION                |
|---------|--------------|----------------------------|
| 1       | 532 18 10-37 | DECAL, DANGER              |
| 3       | 532 18 10-35 | DECAL, DANGER, DEFLECTOR   |
| 4       | 532 18 10-42 | DECAL, DANGER              |
| 5       | 532 42 95-73 | DECAL, INSTRUTION          |
| 7       | 532 44 42-24 | DECAL, LH TRIGGER          |
| 8       | 532 42 95-71 | DECAL, RH TRIGGER          |
| 9       | 532 44 42-25 | DECAL, HEIGHT ADJUST       |
| 12      | 532 44 47-68 | DECAL, HANDWARMER          |
| --      | 532 44 35-56 | OPERATOR'S MANUAL, ENGLISH |
| --      | 532 44 35-57 | OPERATOR'S MANUAL, FRENCH  |

