



Features

- ◆ **Lighting:** 9.5 Watt Flood LED (50 Watt Halogen/PAR20 Equivalent/Dimmable) or 50 Watt Halogen Flood (PAR20)
- ◆ ***Recessed lighting NOT available on 30" models.**
- ◆ **Heat Sensor:** Fire Safety Thermostat with Automatic turn ON when temp. reaches 130 degrees. Not available on SD2 or T models.
- ◆ **Filters:** Aluminum Mesh Filters. **Optional:** Slim Baffle Filters available. Will Reduce CFM by 10%.
- ◆ **Custom:** Custom sizes available. Call with exact dimensions for pricing and delivery time.
- ◆ **Optional Modified Wiring:** Wiring for "remote" switch placement. Includes switches & knobs.
- ◆ **Re-circulating:** Re-circulating Kit available for N1900T & N1900SD2 models only. See Page 42.

Specifications

- ◆ **Power:** "Air Ring Fan" or Flame Retardant Centrifugal Blowers. 360 to 900 CFM.
- ◆ **Electrical:** 115 AC, 60 Hz, 9 Amps. Suggested use with 15 Amp circuit.
- ◆ **Finish:** Stainless Steel, White or Black Powder Coat. **Optional:** RAL color choices available.
- ◆ **Distance Codes:** Check local city, county and cooking appliance specifications. UL tested at 36" above cooking surface. Optional 30" on T & SD2 models.
- ◆ **Installation:** Simple installation.

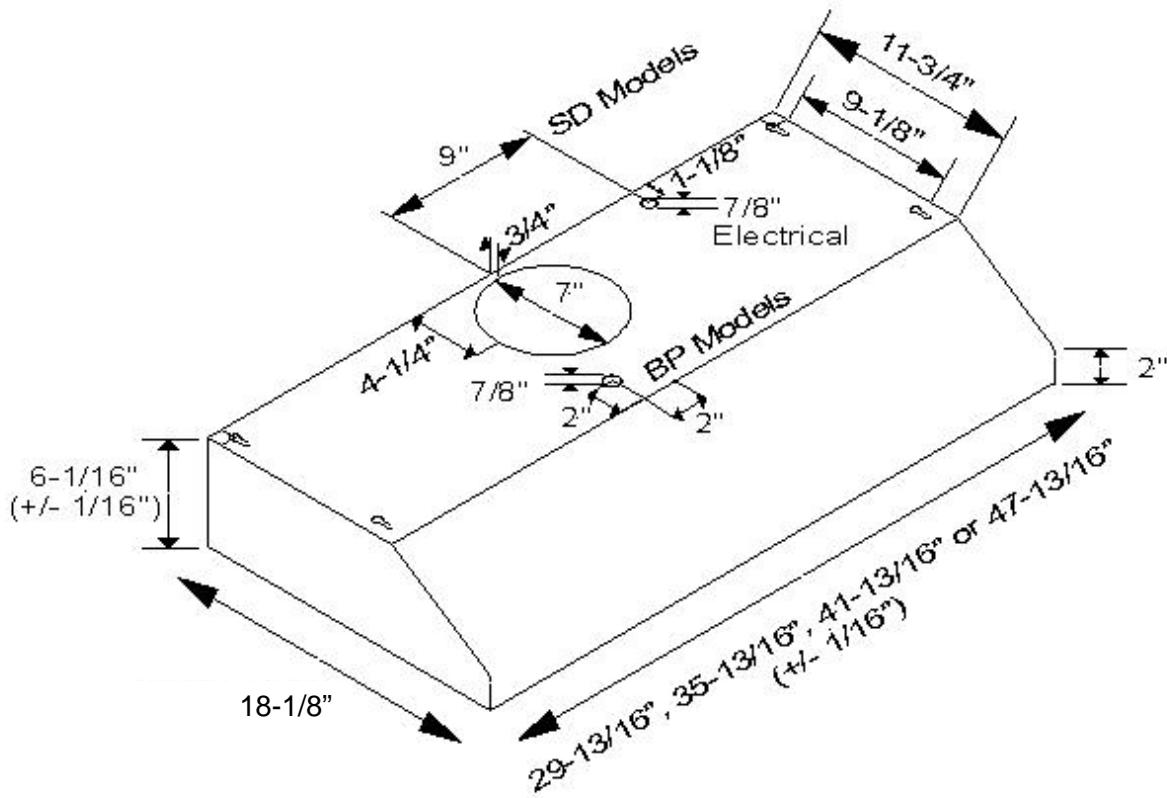
Warranty

- ◆ **Warranty: 7 Year, In-Home—Parts & Labor. (Best in the Industry!)**
- ◆ No "Performance" Warranty when used above BBQ Style Grills, may not be satisfactory in all situations. Call to discuss.

MODELS	POWER CFM	MOTOR TYPE	CONTROLS	SONES LOW-HI	DEPTH	DUCT	LIGHT	SIZES
N1900PS	750	Dual Blower	Variable	1.5 - 4.6	22-1/8"	Single 7"	Dual	30", 36", 42", 48"
N1900PS-8	900	Dual Blower	Variable	1.5 - 4.6	22-1/8"	Single 8"	Dual	30", 36", 42", 48"
N1900PS1	635	Single Blower	Variable	1.5 - 4.6	22-1/8"	Single 7" Off-Set	Dual	30", 36", 42"
N1900BP	735	Dual Blower	Variable	1.5 - 4.6	18-1/8"	Single 7"	Dual	30", 36", 42", 48"
N1900BP-8	900	Dual Blower	Variable	1.5 - 4.6	18-1/8"	Single 8"	Dual	30", 36", 42", 48"
N1900BP1	625	Single Blower	Variable	1.5 - 4.6	18-1/8"	Single 7" Off-Set	Dual	30", 36", 42"
N1900T	425	Turbo Blower	Variable	2.5 - 4.9	18-1/8"	Single 7"	Center Panel	30", 36", 42"
N1900SD2	360	Air-Ring Fan	Rocker	2.5 - 4.9	18-1/8"	Single 7"	Center Panel	30", 36", 42", 48"



Under Cabinet Slim Line Specifications



SEVEN YEAR, IN HOME, LIMITED WARRANTY, THE BEST IN THE INDUSTRY!

All dimensions are (+/-) 1/8" and are subject to change. Drawings are not to scale.