

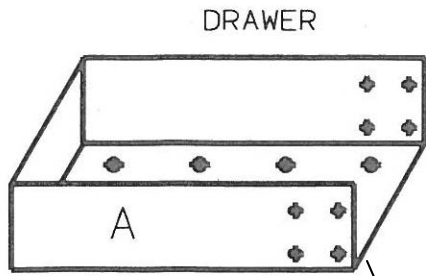
Imperial Cal. Products, Inc.

Installation Instructions For Model RC-12, RC-15 & RC-18 Recycling Cabinet

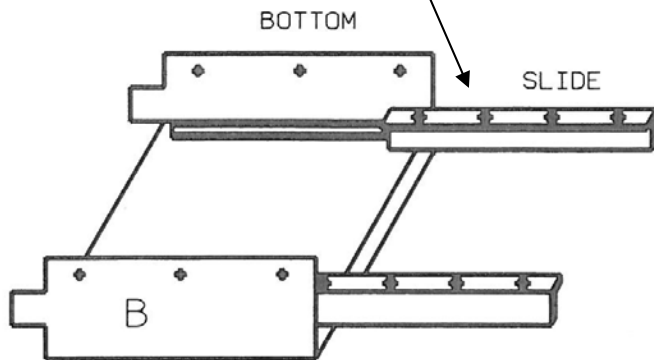
1. First, measure the top to bottom dimension of your cabinet opening and the side to side dimension.
2. Remove Gray tape from back of slides.
3. Turn Bottom Unit (B) over and install bumpons to the bottom. (Use either 3/16" or 3/8" bumpons depending on the top to bottom dimensions of your cabinet).
4. Place Bottom Unit (B) into cabinet opening and line up kick panel on the RC-12 or RC-15 with the cabinet kick panels, pull the drawer on Bottom Unit (B) to full length.
5. Install the six (6) 5/8" screws to the sides of the cabinet (C). If cabinet measures over 12" or 15" inside use spacers on each side of the cabinet to fill in the space. That should center your Recycling Cabinet and insure proper installation.
6. Take front panel (F) and insert into drawer (A). **Make sure bottom angle on front panel goes under drawer bottom for support.** Line up eight (8) holes (4 on each side). Use eight (8) small screws, eight (8) star washers and eight (8) cap nuts. Tighten up firmly.
7. For Recycling Cabinets with WF (Wood Front Ready), install your front panel (F) using the eight (8) screw holes in the front drawer.

SEE DRAWING ON REVERSE SIDE

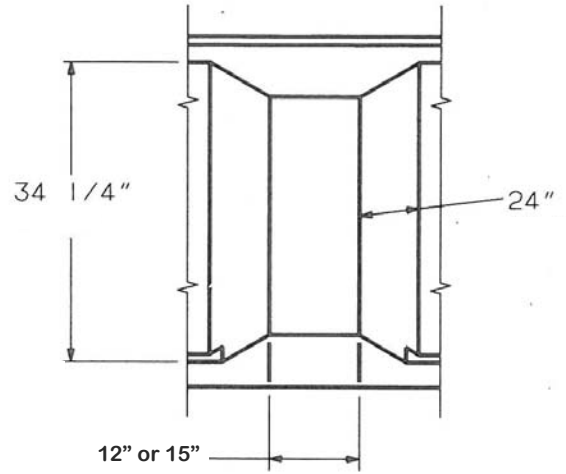
*Imperial Cal. Products, Inc.
425 Apollo St.
Brea, CA 92821
714-990-9100 ~ 714-990-3350 FAX
www.imperialhoods.com*



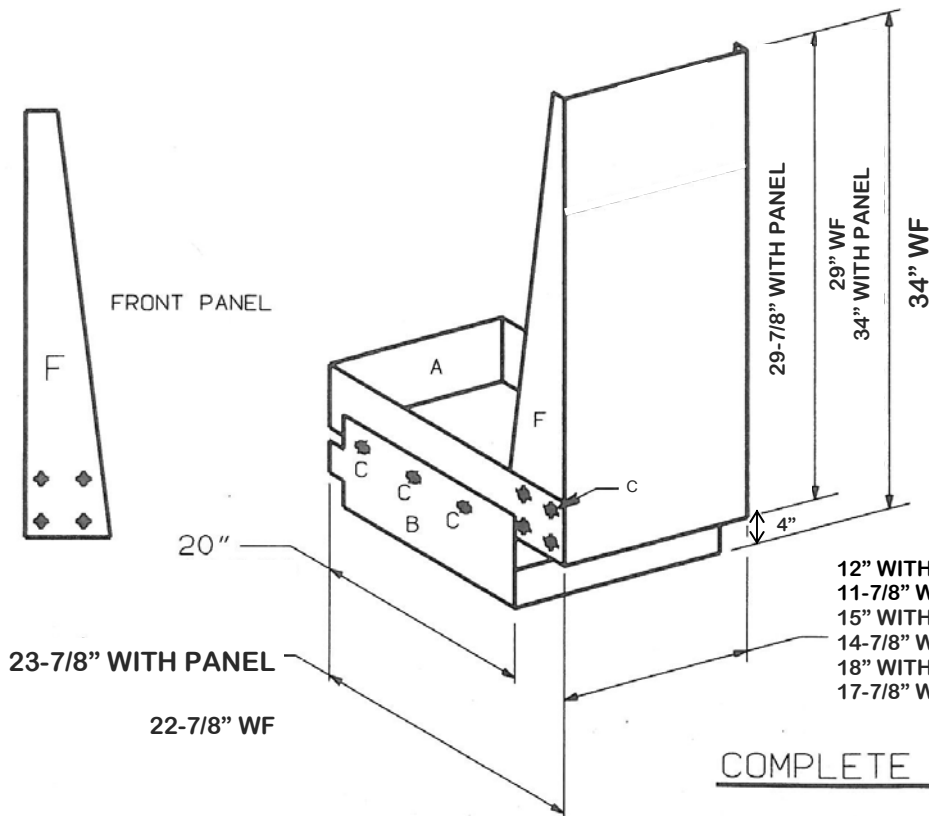
**Drawer comes already attached to slides.*



CABINET



FRONT PANEL



- 12" WITH PANEL
- 11-7/8" WF
- 15" WITH PANEL
- 14-7/8" WF
- 18" WITH PANEL
- 17-7/8" WF

COMPLETE UNIT

NOTE: WF = Wood Front Ready