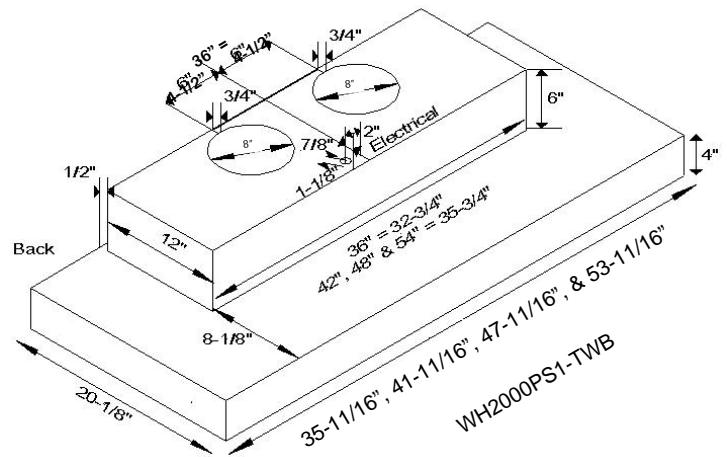
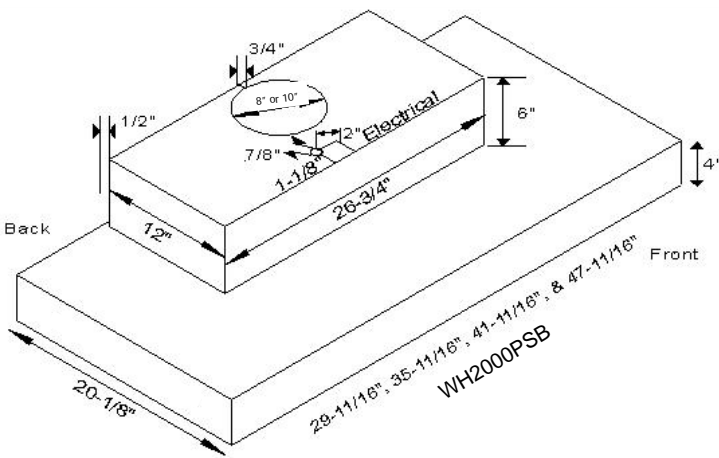
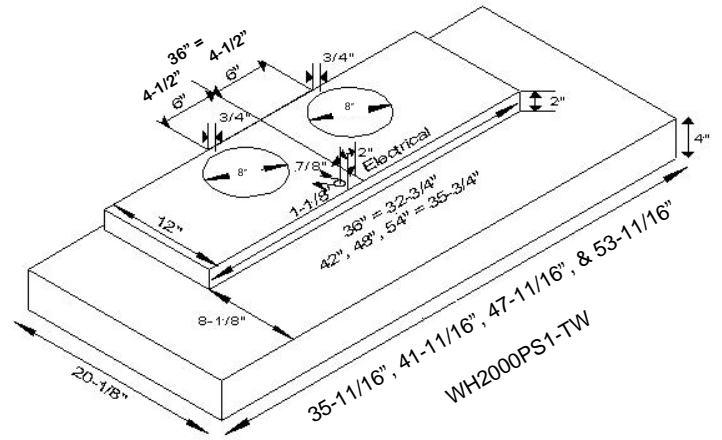
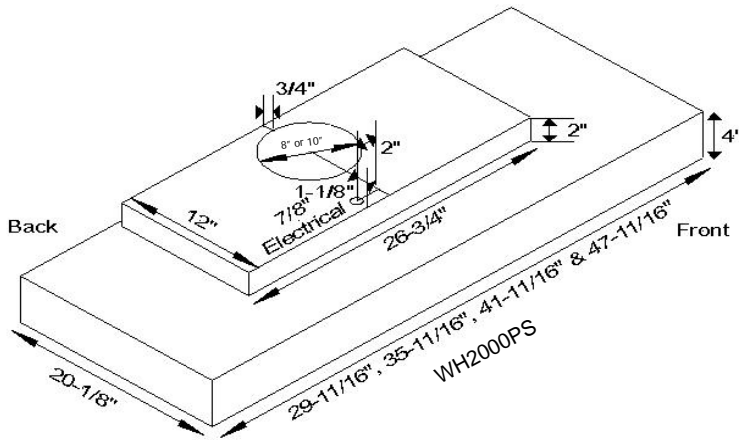


Wall Mount Specifications ~ 8" or 10" Duct



CEILING HEIGHT = _____

COUNTER HEIGHT = 36"

MOUNTING HEIGHT = 36"

HOOD HEIGHT = 6"

Subtract counter height and mounting height from total ceiling height, then subtract height of hood. This will give you your stack height.

Example for an 8 foot ceiling: 96" minus— 36", minus— 36", minus— 6" = 18" High Stack

WH2000

11.5 x 11.5 x HEIGHT

Example: WH-STK-18"

WH2000-TW

11.5 X 23.5 X HEIGHT

Example: WHTW-STK-18"

Price includes duct cover up to 48". Call for cost on custom sizes over 48"



SEVEN YEAR LIMITED WARRANTY, THE BEST IN THE INDUSTRY!

All dimensions are (+/-) 1/8" and are subject to change. Drawings are not to scale.