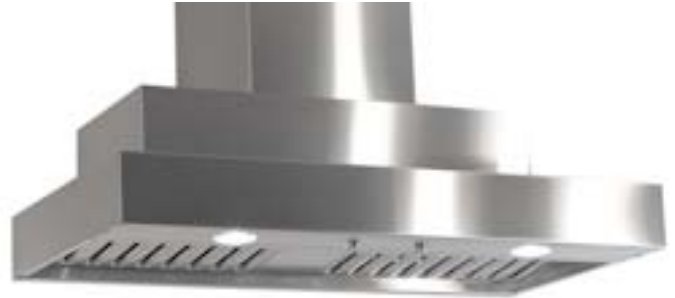


# Imperial

## Kitchen Ventilation

### Wall Pyramid—Pro Style

*The power you need. The quiet you want!*



#### Features

- ◆ **Lighting:** Lighting uses 50 Watt Halogen Spots (PAR20). (Bulbs NOT Included)
- ◆ **Heat Sensor:** Fire Safety Thermostat with Automatic turn ON when temp. reaches 130 degrees.
- ◆ **Filters:** Stainless Steel Baffle (10" high) or Aluminum Mesh Filters (6" High).
- ◆ **Duct Cover:** Made to your specifications. See reverse side for stack calculations.
- ◆ **Custom:** Custom sizes available. Call with exact dimensions for pricing and delivery time.
- ◆ **Rails:** Decorative rails available.
- ◆ **Optional Remote Controls:** Remote control wiring available.

#### Specifications

- ◆ **Power:** Flame Retardant Centrifugal Blowers. 635 to 1425 CFM.
- ◆ **Stainless Steel:** Complete Stainless Steel Construction for Durability and Fire Safety.
- ◆ **Finishes:** Standard: Stainless Steel, White or black powder coat available. **Optional:** Over 60 custom color choices available.
- ◆ **Distance Codes:** Check local city, county and cooking appliance specifications. UL tested at 36" above cooking surface.
- ◆ **Installation:** Includes duct cover made to your specifications for easy installation. **BP1** includes a 3-1/4" x 10" rectangle to 7" round transition piece.

#### Warranty

- ◆ **Warranty: 7 Year, In-Home—Parts & Labor.**
- ◆ No "Performance" Warranty when used above BBQ Style Grills, may not be satisfactory in all situations. Call to discuss.

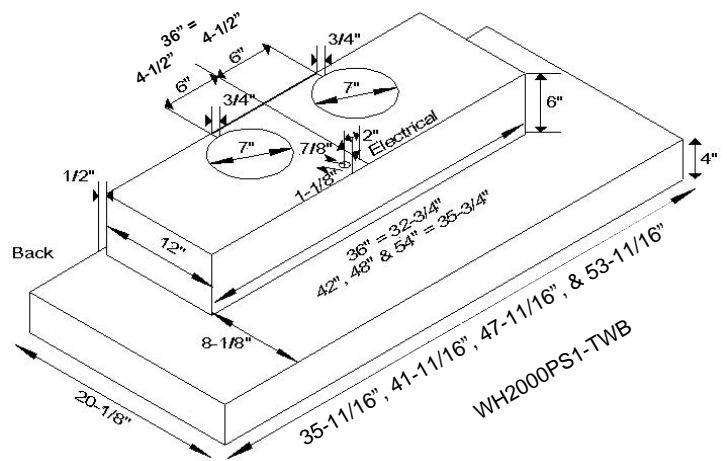
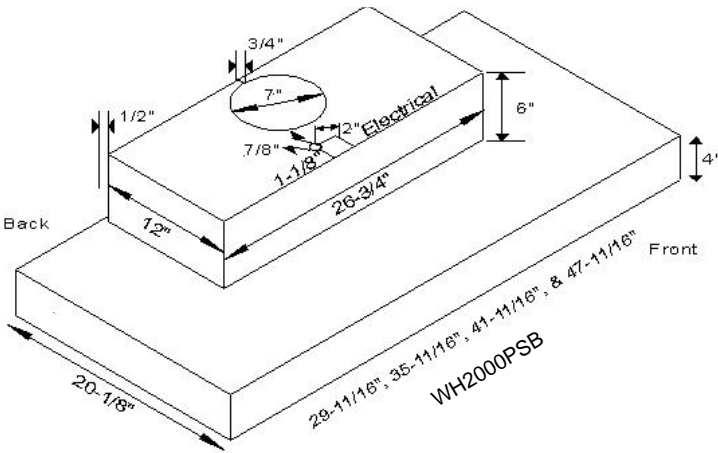
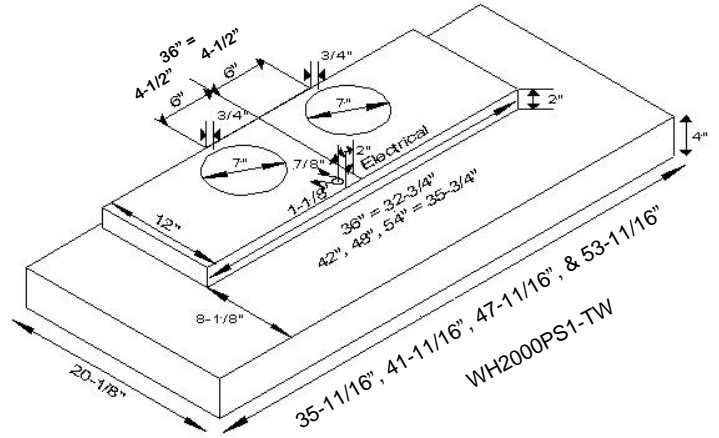
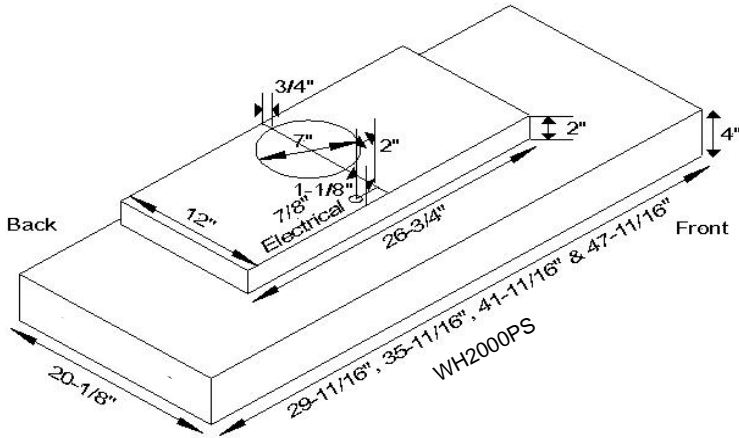
| MODELS         | POWER<br>CFM | MOTOR<br>TYPE | CONTROLS | SONES<br>LOW—HI | DEPTH | LIGHTS      | DUCT       | SIZES               |
|----------------|--------------|---------------|----------|-----------------|-------|-------------|------------|---------------------|
| WH2000PSB      | 635          | Dual Blowers  | Variable | 1.6 - 4.6       | 20"   | Front Panel | Single 7"  | 30", 36", 42" & 48" |
| WH2000PSB-8    | 800          | Dual Blowers  | Variable | 1.6 - 4.6       | 20"   | Front Panel | Single 8"  | 30", 36", 42" & 48" |
| WH2000PSB-K    | 925          | Dual Blowers  | Variable | 1.6 - 4.6       | 20"   | Front Panel | Single 10" | 30", 36", 42" & 48" |
| WH200PS1-TWB   | 1100         | Twin Blowers  | Variable | 1.6 - 4.6       | 20"   | Front Panel | Two 7"     | 36" & 54"           |
| WH200PS1-TWB-8 | 1320         | Twin Blowers  | Variable | 1.6 - 4.6       | 20"   | Front Panel | Two 8"     | 36" & 54"           |
| WH2000PS       | 735          | Dual Blowers  | Variable | 1.6 - 4.6       | 20"   | Front Panel | Single 7"  | 30", 36", 42" & 48" |
| WH2000PS-8     | 900          | Dual Blowers  | Variable | 1.6 - 4.6       | 20"   | Front Panel | Single 8"  | 30", 36", 42" & 48" |
| WH2000PS-K     | 1000         | Dual Blowers  | Variable | 1.6 - 4.6       | 20"   | Front Panel | Single 10" | 30", 36", 42" & 48" |
| WH2000PS1-TW   | 1270         | Twin Blower   | Variable | 1.6 - 4.6       | 20"   | Front Panel | Two 7"     | 36" & 54"           |
| WH2000PS1-TW-8 | 1425         | Twin Blower   | Variable | 1.6 - 4.6       | 20"   | Front Panel | Two 8"     | 36" & 54"           |

Imperial Cal. Products, Inc. ~ Hand Crafted Quality Since 1961  
[www.imperialhoods.com](http://www.imperialhoods.com) ~ (800) 851-4192



MADE IN AMERICA.

# Wall Mount Specifications ~ 7" Duct



CEILING HEIGHT = \_\_\_\_\_  
 COUNTER HEIGHT = 36"  
 MOUNTING HEIGHT = 36"  
 HOOD HEIGHT = 6"

Subtract counter height and mounting height from total ceiling height, then subtract height of hood. This will give you your stack height.

**Example for an 8 foot ceiling: 96" minus— 36", minus— 36", minus— 6" = 18" High Stack**

## WH2000

11.5 x 11.5 x HEIGHT  
**Example: WH-STK-18"**

## WH2000-TW

11.5 X 23.5 X HEIGHT  
**Example: WHTW-STK-18"**

Price includes duct cover up to 48". Call for cost on custom sizes over 48"



**SEVEN YEAR LIMITED WARRANTY, THE BEST IN THE INDUSTRY!**

All dimensions are (+/-) 1/8" and are subject to change. Drawings are not to scale.