



Features

- ◆ **Lighting:** Lighting uses 50 Watt Halogen Spots (PAR20). (Bulbs NOT Included) ***Recessed lighting NOT available on 30" models.**
- ◆ **Heat Sensor:** Fire Safety Thermostat with Automatic turn ON when temp. reaches 130 degrees. Not available on T models.
- ◆ **Filters:** Stainless Steel Baffle filters or Aluminum Mesh.
- ◆ **Custom:** Custom sizes available. Call with exact dimensions or pricing and delivery time.
- ◆ **Optional Duct Cover:** Made to your specifications. Provide WIDTH & HEIGHT.
- ◆ **Rails:** Decorative rails available.
- ◆ **Optional Modified Wiring:** Wiring for "remote" switch placement. Includes switches & knobs.

Specifications

- ◆ **Power:** Exclusive Turbo Blower or Flame Retardant Centrifugal Blowers. 395 to 900 CFM.
- ◆ **Electrical:** 115 AC, 60 Hz, 9 Amps. Suggested use with 15 Amp circuit.
- ◆ **Stainless Steel:** Complete Stainless Steel Construction for Durability and Fire Safety.
- ◆ **Finishes:** Standard: Stainless Steel, White or Black powder coat available. **Optional:** Over 60 custom color choices available.
- ◆ **Distance Codes:** Check local city, county and cooking appliance specifications. UL tested at 36" above cooking surface. Optional 30" for T models.
- ◆ **Installation:** Simple, Stress Free installation. Wall Mount application comes with mounting brackets. ***Must indicate for wall application at the time of order.**

Warranty

- ◆ **Warranty: 7 Year, In-Home—Parts & Labor. (Best in the Industry!)**
- ◆ No "Performance" Warranty when used above BBQ Style Grills/Griddles. Call to discuss.

MODELS	POWER CFM	MOTOR TYPE	CONTROLS	SONES LOW - HI	DEPTH	LIGHTS	DUCT	SIZES
1900PSB-10	635	Dual Blowers	Variable	1.5 - 4.6	22-1/8"	Front Panel	Single 7"	30", 36", 42" & 48"
1900PSB-10-8	775	Dual Blowers	Variable	1.5 - 4.6	22-1/8"	Front Panel	Single 8"	30", 36", 42", & 48"
1900PS1B-10	540	Single Blower	Variable	1.5 - 4.6	22-1/8"	Front Panel	Single 7"	30", 36" & 42"
1900TB-10	395	Turbo Blower	Variable	1.8 - 4.9	22-1/8"	Front Panel	Single 7"	30", 36", & 42"
1900PS-10	750	Dual Blowers	Variable	1.5 - 4.6	22-1/8"	Dual	Single 7"	30", 36", 42", & 48"
1900PS-10-8	900	Dual Blowers	Variable	1.5 - 4.6	22-1/8"	Dual	Single 8"	30", 36", 42", & 48"
1900PS1-10	635	Single Blower	Variable	1.5 - 4.6	22-1/8"	Dual	Single 7"	30", 36" & 42"
1900PS1-10-8	775	Single Blower	Variable	1.5 - 4.6	22-1/8"	Dual	Single 8"	30", 36" & 42"
1900T-10	425	Turbo Blower	Variable	1.8 - 4.9	22-1/8"	Center Panel	Single 7"	30", 36", & 42"



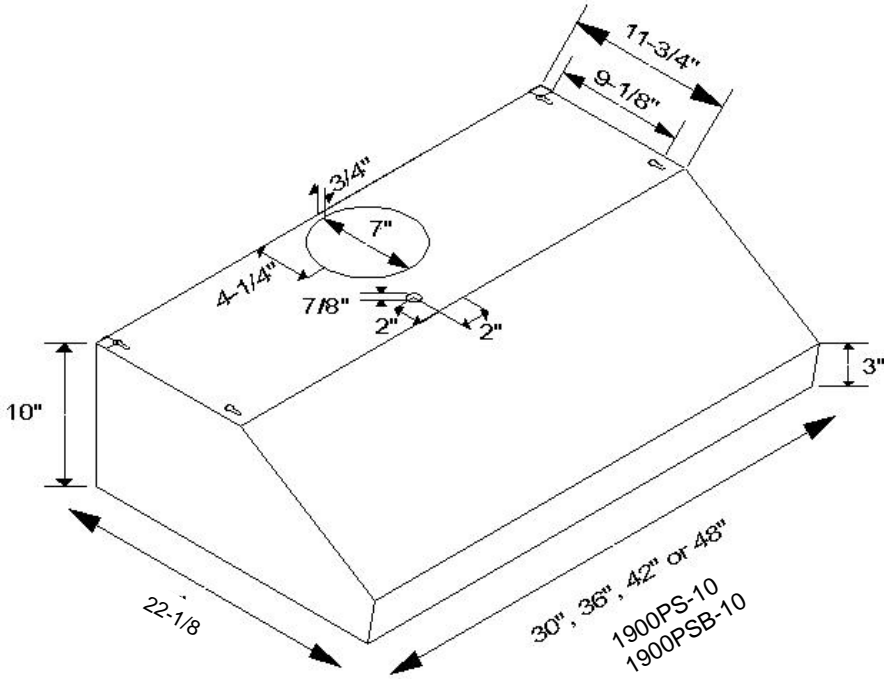
Select 10 Specifications

NOTE

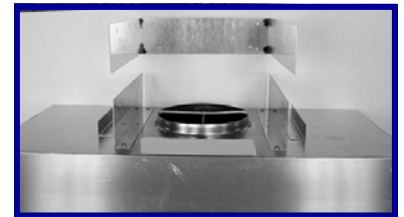
Example: 1900PSB-10-8

Vent size 8" round by 3-1/2" high.
Increase CFM by 20% with 8" vent transition.

All other dimensions remain the same.

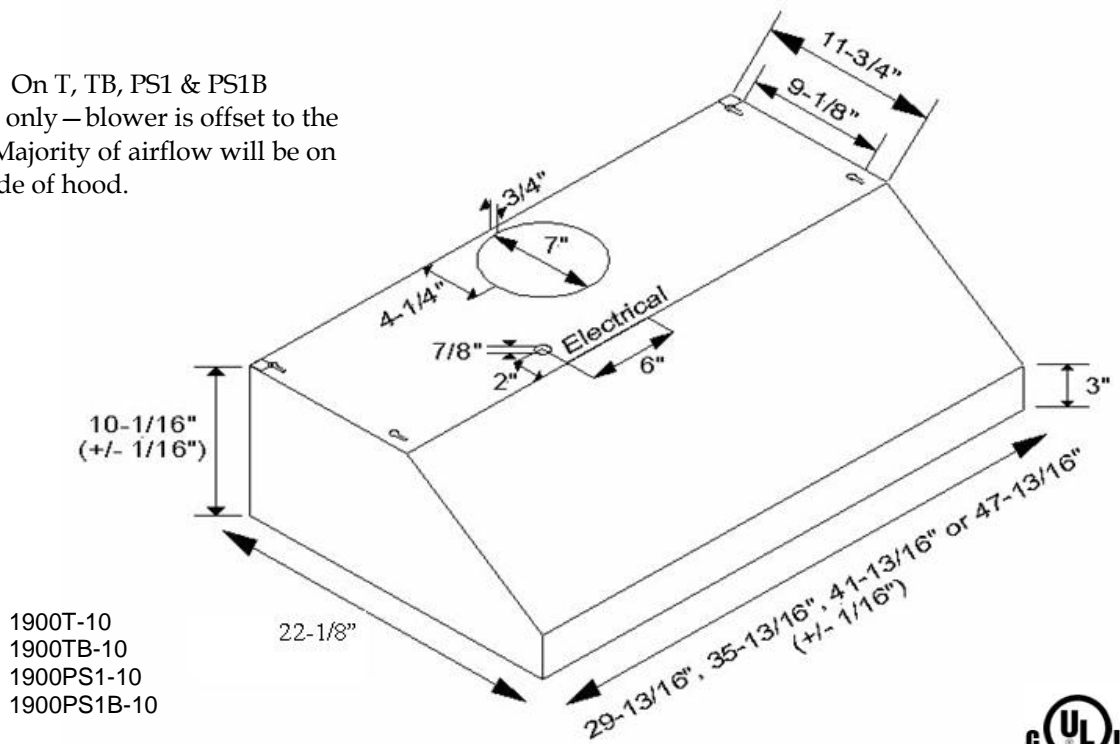


8" Transition
8" Round x 3-1/2" high



*NOTE: Mounting Brackets for Wall Mount Application. MUST indicate wall mount at the time of order.

NOTE: On T, TB, PS1 & PS1B models only – blower is offset to the right. Majority of airflow will be on right side of hood.



SEVEN YEAR, IN HOME, LIMITED WARRANTY, THE BEST IN THE INDUSTRY!

All dimensions are (+/-) 1/8" and are subject to change. Drawings are not to scale.