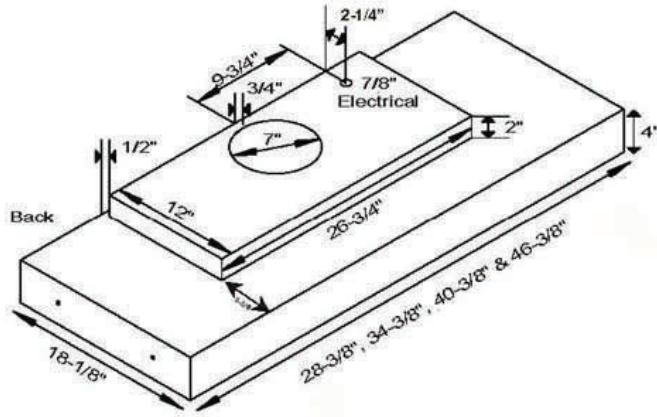
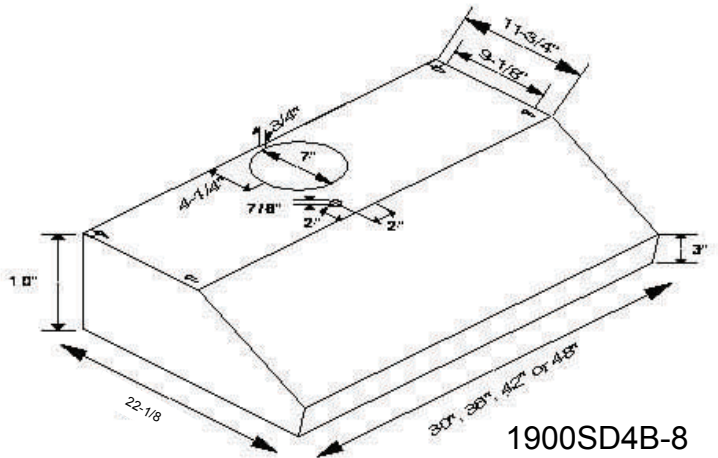


400 CFM Specifications

C2000SD4B-8

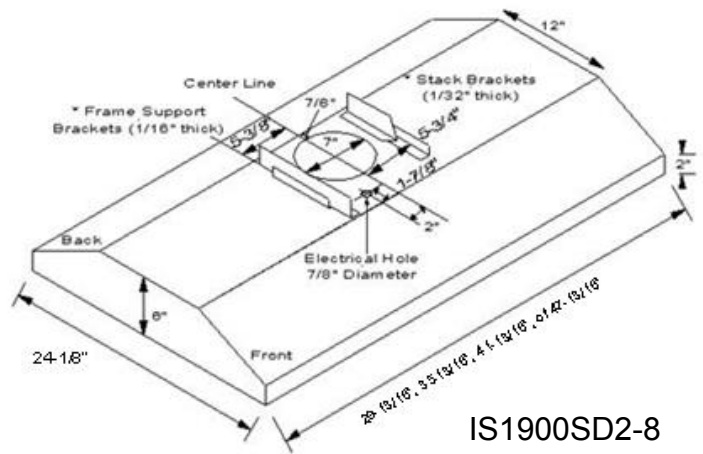
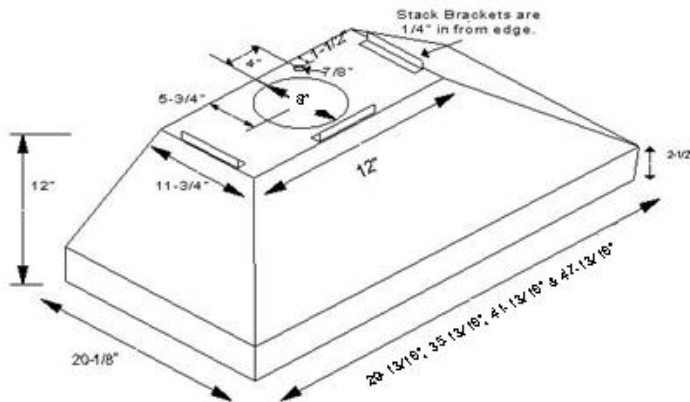


8" Transition
8" Round x 3-1/2" high



1900SD4B-8

WHP1900SD2-8



IS1900SD2-8