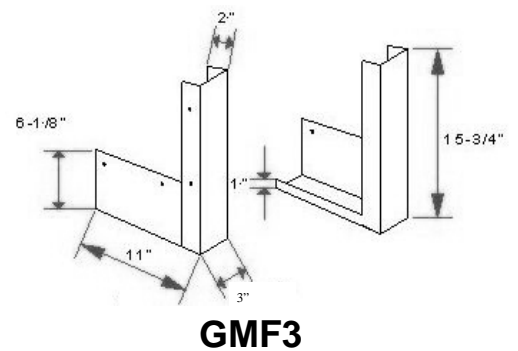
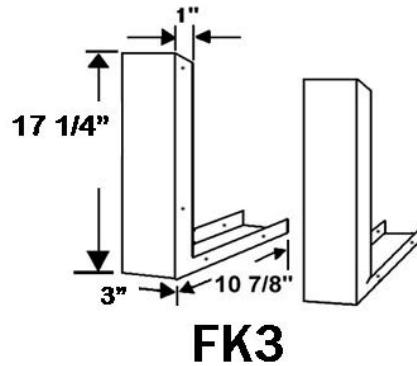
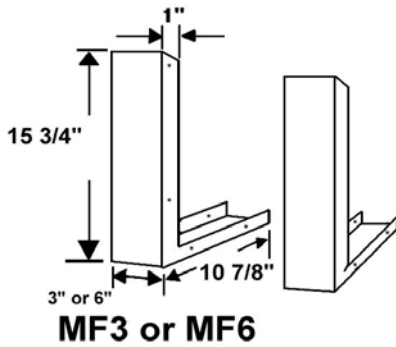


**Do You Have a 36" or 42" Space and a 30" Microwave Oven?  
Need Something to Fill Those Gaps?**



- ◆ Easy Installation, Simply mount the Kit to the sides of your cabinets.
- ◆ 22 Gauge Steel for Durability, Strength and Fire Protection.
- ◆ Available: 3" or 6" Width, 15 3/4" Height or 17 1/4" Height and 10 7/8" Depth.
- ◆ Standard Appliance Colors: White, Black, and Stainless.
- ◆ Custom Sizes Available, Call for Price Quote at (800) 851-4192.

