

Duetta 6636 Whirlpool



Product Codes beginning with: DUE6636WCR

Also applies to products sold under part numbers: JR10, JR15, EE15, JR25, JR30, JR35, JR40, JR45

TECHNICAL SPECIFICATIONS

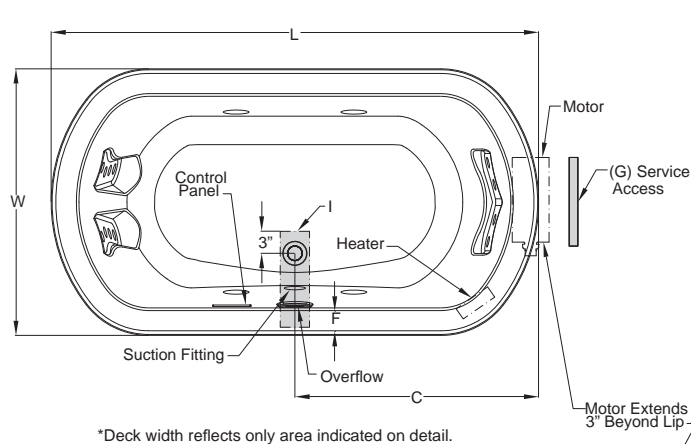
	English	Metric
Outer Dimensions	66" L x 36" W x 26" H	1676 mm L x 914 mm W x 660 mm H
Interior Dimensions (bottom of bath) L x W (Mid) x W (End)	44" L x 21 1/2" W x 21 1/2" W	1118 mm L x 546 mm W x 546 mm W
Drain/Pump Configuration	Center drain/Right end pump	Center drain/Right end pump
Bath Weight (empty)	136 lbs	62 kg
Total Weight/Floor Loading	1,044 lbs 63.3 lbs/ft ²	475 kg 309 kg/m ²
Operating Gallonage (min-max)	75 (min) 79 (max) U.S. Gals	284 (min) 299 (max) L
Electrical Specifications	Each component requires a separate, dedicated GCFI protected circuit	
Motor/Pump	120V 20A 60HZ	
Heater	120V 15A 60HZ	

FEATURES, UPGRADES & ACCESSORIES

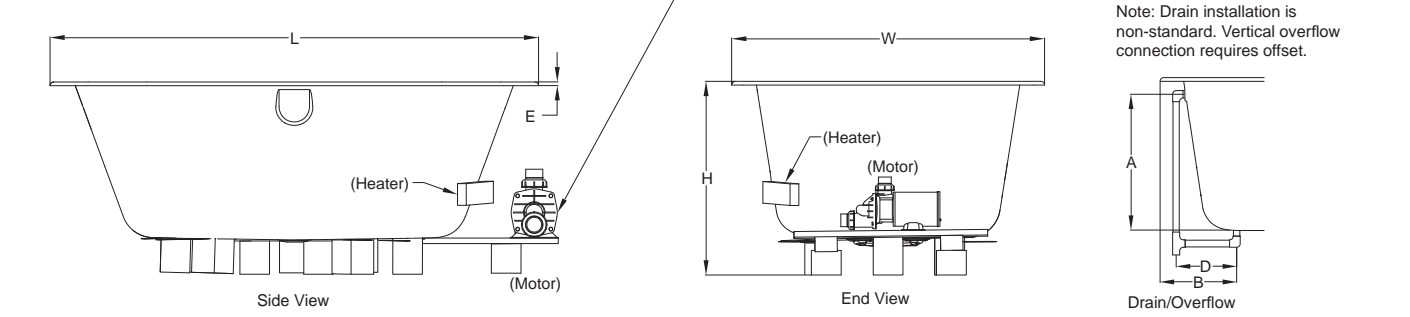
Material Type: High-Gloss Acrylic
Install Type: Drop-in or Undermount
Available Colors: White (W), Almond (A), Oyster (Y), Black (B)
Cut-out Template: DA08000
Standard (Included) Features:
 16 jets, In-line Heater,
 Chromatherapy lighting
Available Control Systems:
 J4 Luxury Control Panel (standard)
 J5 Luxury LCD Control Panel

Available Upgrades:
 Whisper Quiet Technology,
 Illumatherapy Lighting
Available Accessories:
 DA34 Rotary Drain Kit PVC (specify metal finish)
 D095 TheraPro Jet Trim Kit (specify metal finish)
 827: Chrome, 826: Brushed Nickel, 845: Oil Rubbed Bronze
 *Note: D095 (Chrome) is standard on Illumatherapy jets.
 C263 Curved Pillow (specify color) 959: White, 958: Almond, 969: Oyster
 GQ88 Light Chromatherapy Add-on Kit

KEY DIMENSIONS



Letter	Description	English	Metric
L	Outer Length	66"	1676 mm
W	Outer Width	36"	914 mm
H	Overall Height	26"	660 mm
A	Overflow Height	18 3/8"	467 mm
B	Long Edge to Drain Center	11"	279mm
C	Short Edge to Drain Center	33"	838 mm
D	Drain Shoe Length	7 1/4"	183 mm
E	Deck Height	1/2"	13 mm
F	Deck Width*	3 7/8"	98 mm
G	Service Access Dimensions	12" H x 18" L	305 mm x 457 mm
I	Floor Cut-out for Drain	13" x 4"	330 mm x 102 mm



NOTE: Graphics May Not be to Scale

© 2010 Jacuzzi Luxury Bath • For additional information call Customer Service 800-288-4002 • www.jacuzzi.com/technicalspecs
 Refer to installation instructions included with fixture before beginning installation. Please confirm product availability and specifications before commencing with any installation work.
 PRODUCT SPECIFICATIONS AND AVAILABILITY ARE SUBJECT TO CHANGE WITHOUT NOTICE. HC86000 REL 02/10