

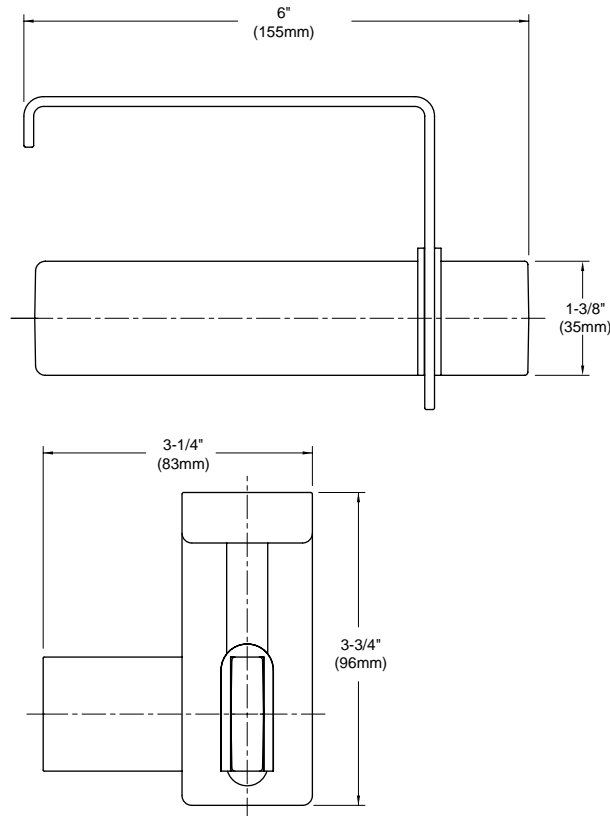


Features:

- European Minimalist Design
- Solid Brass Construction
- Concealed Mounting

	Product Number
Glance Tissue Holder	031/145

Available Finishes:	
Polished Chrome	100
Platinum Nickel	150



IMPORTANT: Dimensions of faucets are nominal and may vary within the range of tolerances established by ANSI Standard A112.18.1
These Measurements are subject to change or cancellation. No responsibility is assumed for use of superseded or voided pages.