

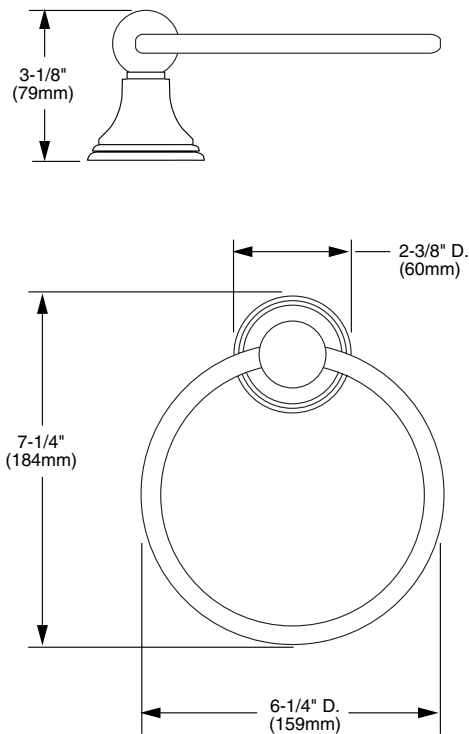


### Features:

- Solid Brass Construction
- Concealed Mounting

|                 | Product Number |
|-----------------|----------------|
| Towel Ring - 6" | 508/150        |
| Towel Ring - 8" | 508/200        |

| Available Finishes: | Finish Code |
|---------------------|-------------|
| Polished Chrome     | 100         |
| Old Bronze          | 105         |
| UltraBrass          | 113         |
| Brushed Nickel      | 144         |
| Platinum Nickel     | 150         |
| Diamond (PVD)       | 167         |
| Antique Nickel      | 444         |



**IMPORTANT:** These measurements are subject to change or cancellation. No responsibility is assumed for use of superseded or voided pages.