

JADO

Products

Saffron

Product Number
802/800/...

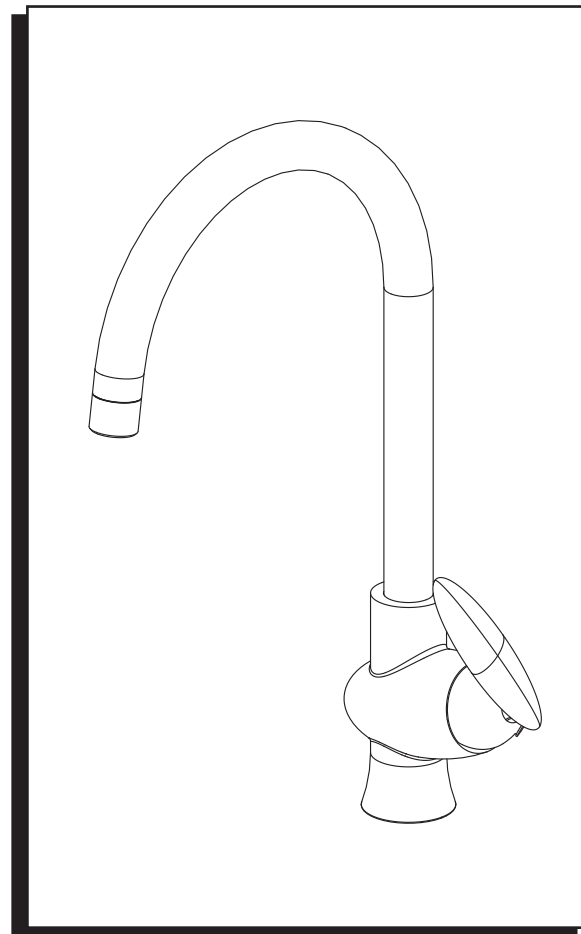
JADO USA
6615 West Boston
Chandler, AZ 85226
Phone: (800) 227-2734
Fax: (800) 552-JADO(5236)
www.jadousa.com

©JADO USA 2005

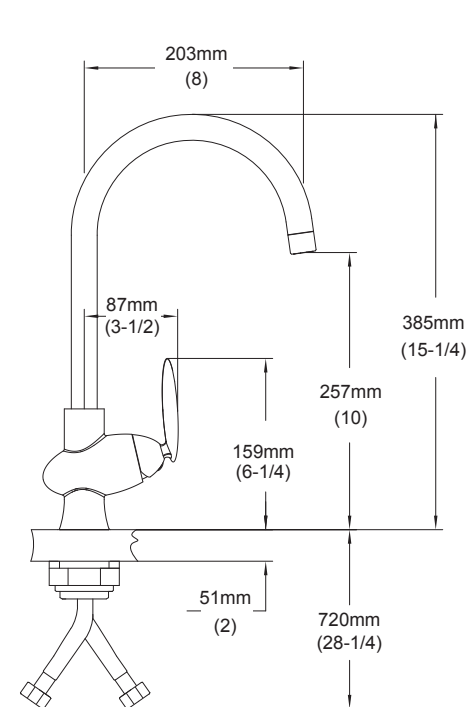
Single Lever Kitchen Faucet Installation Instructions

To ensure that your installation proceeds smoothly--please read these instructions carefully before you begin.

Luxury Faucets and Accessories



ROUGHING-IN DIMENSIONS

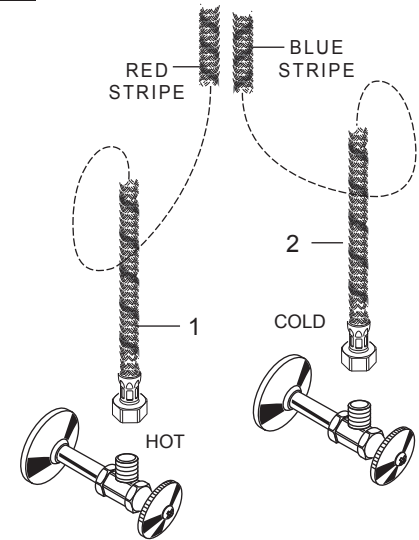


1 INSTALL FITTING

CAUTION Turn off hot and cold water supplies before beginning.

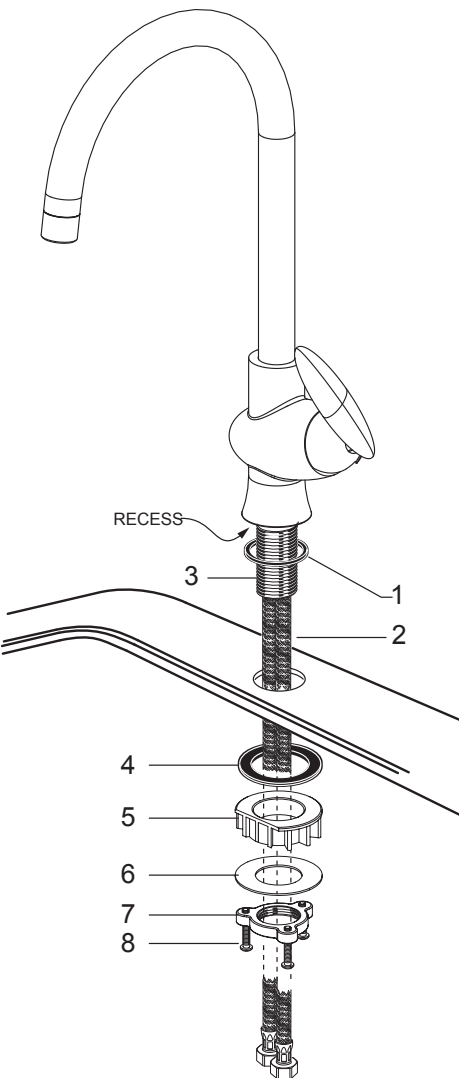
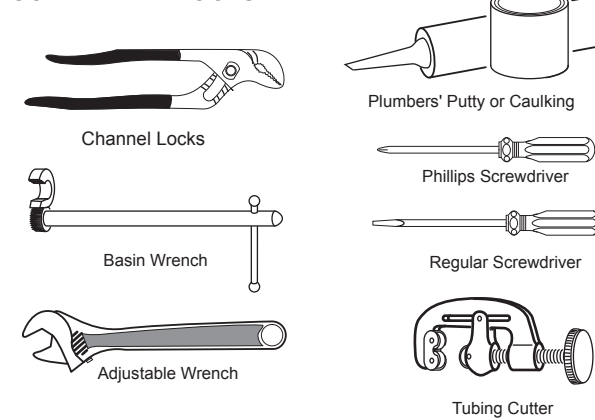
- Make certain the SEAL (1) is properly seated in recess of faucet body.
- Insert supply HOSES (2) and SHANK (3) through center hole of sink or mounting surface.
- Assemble RUBBER WASHER (4), PLASTIC WASHER (5), METAL WASHER (6) and threaded LOCKNUT (7) onto SHANK (3) from underside of sink or mounting surface. Hand tighten LOCKNUT (7) and check that faucet is centered.
- Use a screwdriver to tighten SCREWS (8) on LOCKNUT (7). Work your way around LOCKNUT (7), tightening the screws slightly each time until all are snug to ensure even pressure.

2 MAKE WATER SUPPLY CONNECTIONS



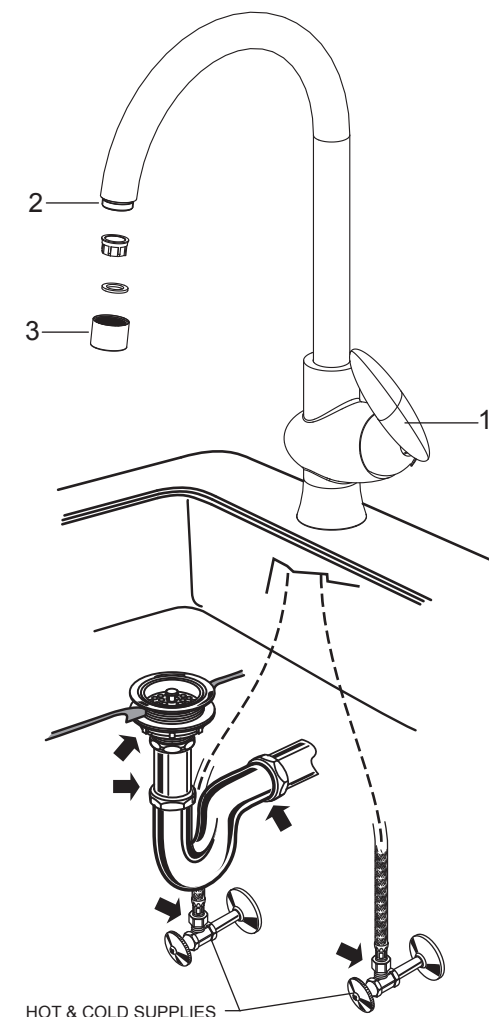
- Turn off hot and cold water supplies before beginning.
- Connect FLEXIBLE SUPPLIES (1, 2) directly to wall supplies. Connection on fitting supplies are 3/8" compression. Connect left supply (Marked with a Red Stripe) to Hot and right supply (Marked with Blue Stripe) to Cold wall supply. Use adjustable wrench to tighten connections. Do not over tighten.
- Faucet supplies are 27-1/2" long from faucet base.
- Note: If additional supply length is required, installer must purchase additional parts separately.
- Important: If SUPPLY HOSES (1, 2) are too long, loop as illustrated to avoid kinking.

RECOMMENDED TOOLS



3 TEST INSTALLED FAUCET

- Move HANDLE (1) into "off" position.
- Unthread SPRAY END (2) from HOSE END (3).
- Turn on water supplies and check connections for leaks. ➡
- Operate HANDLE (1) on and off, hot and cold to flush water lines thoroughly. Replace SPRAY END (2).
- Check all drain connections for leaks. ➡
- Move HANDLE (1) to "off" position.



4 HELPFUL HINTS FOR CLEANING AND MAINTENANCE

- The solid brass product you have just purchased has been designed to give you years of beauty and service. It is important to bring to your attention proper care and maintenance procedures, which will ensure its lasting beauty.
- First and foremost, it is important (as it is with any fine piece of jewelry or furniture) that the product be wiped clean and dry with a soft damp cloth after every use.
 - Second, under no circumstances should an abrasive cleaner or combination cleaner/polish be used on JADO products. The abrasive nature of such products will eventually destroy the finish and void the warranty.
 - In the event of stubborn blemishes shown on the finish, we recommend use of Windex window cleaner with a soft cloth, but we do not recommend it be used on an everyday basis.
 - It is important to note that it is normal to expect signs of usage over time.
- Thank you for selecting JADO for your home.

TO THE PURCHASER OF JADO BRASS PRODUCTS

Attention installer:
Please leave This Pamphlet for The Owner

NOTICE: JADO products conform to industry requirements of water conservation under the ASTM / ANSI A112.18.1M-1994 plumbing code. Lavatory, bidet, wet bar and kitchen faucet sets have a maximum flow rate of 2.2GPM. Shower heads, hand showers and body sprays have a maximum flow rate of 2.5GPM.

The state of California has mandated under Proposition #65 that manufacturers of products, including faucets which come into contact with potable water, must warn the consumer if the product contains materials listed by the state as a carcinogen or reproductive toxin. Lead, which is contained in all brass faucets in limited amounts appears on the State's list.

Preliminary industry tests have indicated that users of faucets made from brass face no significant danger, however, California Proposition #65 requires that we provide you with the following notice:

Warning: This product contains an element known to the State of California to cause cancer or reproductive harm.

JADO BATHROOM AND HARDWARE MFG. CORP.
6615 West Boston
Chandler, AZ 85226

JADO FAUCET LIFETIME FUNCTION AND FINISH LIMITED WARRANTY

JADO Bathroom & Hardware Manufacturing Corp. provides the following warranties only to the first residential owner of our products.

FINISHES
JADO warrants this product to be free from defects in materials or workmanship for as long as the original consumer purchaser owns their home.
JADO will provide, free of charge, at it's sole option, replacement part(s) or product (or if no longer available, a comparable product) to replace those which have proven defective in materials or workmanship.
Proof of purchase (original sales receipt) from the original consumer purchaser must be made available to JADO for all limited warranty claims. This limited warranty is non transferable. It does not apply in the event of product damage due to the use of other than genuine JADO replacement parts, installation error, abuse, misuse, or improper care and maintenance (whether performed by a plumber, contractor, service provider or member of the purchaser's household). The limited warranty excludes damage due to aggressive air or water conditions, or harsh or abrasive cleaners and/or materials. This limited warranty excludes all industrial, commercial and business use, whose purchasers are hereby extended a two year limited warranty (with the exception of solenoid valves and other electronic components which carry a one year limited warranty) applying to all other terms of this limited warranty except duration. This limited warranty does not cover labor charges incurred and/or damages sustained in installation, repair or replacement, nor incidental or consequential damages, all of which are expressly disclaimed. This limited warranty is applicable only to JADO faucets manufactured after June 1, 1996 and installed in the United States and/or Canada.

POLISHED BRASS AND CUSTOM FINISH WARRANTY: A 1 YEAR LIMITED FINISH WARRANTY from date of purchase is provided to the first residential owner against defects in materials and workmanship. Due to the ever-changing finish of Patina products, the finish warranty is excluded. Warranty shall not include problems related to the installation of the product.

MECHANICAL WARRANTY: A LIFETIME LIMITED WARRANTY is provided to the first residential owner on parts to be free from failure related to defects in materials and workmanship but not installation.

CONDITIONS TO WARRANTIES
JADO Bathroom & Hardware Manufacturing Corp. places the following conditions on its finish and mechanical warranties to the first residential owner only. JADO finish and mechanical warranties are limited to products correctly installed and used in a residential environment. JADO warranties will not assume liability for damage due to abuse, mishandling, incorrect installation, improper maintenance, or deterioration due to normal use. JADO will not be liable for labor or other costs relating to the sale, installation, or replacement of their products. In the event of a defect in any JADO product covered by this warranty, the product must be returned to the dealer where originally purchased along with proof of purchase. JADO's obligation under the warranty shall be limited to the repair or exchange of any product which has been determined by JADO to be defective after appropriate examination.

H965826

H965826

H965826

H965826