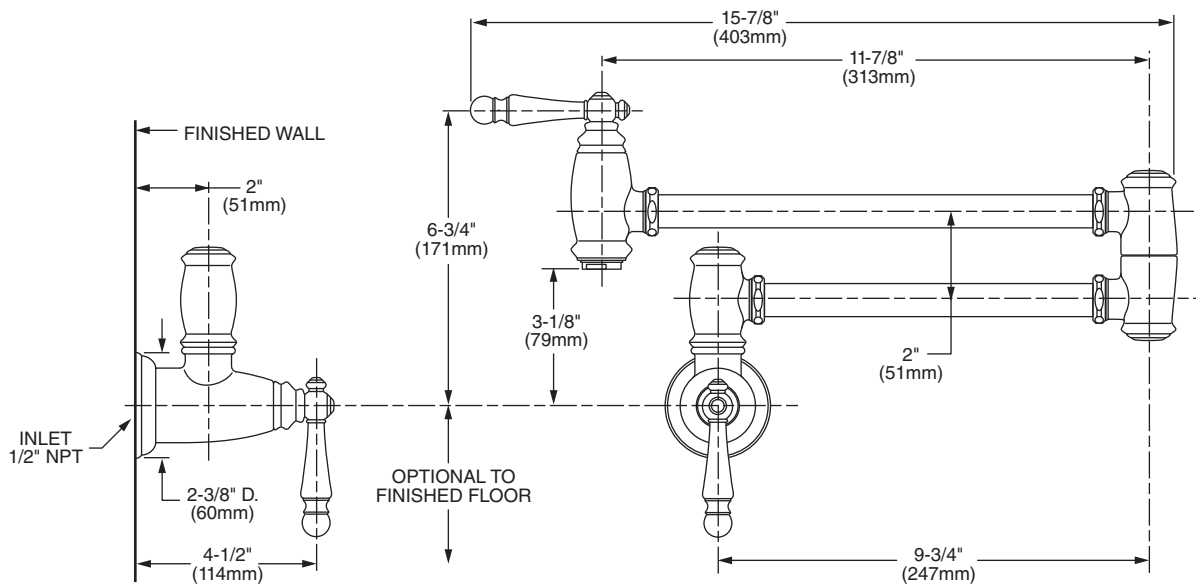


Features:

- Lead Free - Faucet contains $\leq 0.25\%$ total lead content by weighted volume
- 3.0 GPM (11.4L/min) flow rate at 45 psi

	Handle Type	Product Number
Traditional Pot Filler	Lever	800/902 

Available Finishes:	Finish Code
Polished Chrome	100
Old Bronze	105
Brushed Nickel	144
Ultra Steel (PVD)	355



IMPORTANT: These measurements are subject to change or cancellation. No responsibility is assumed for use of superseded or voided pages.

CODES & STANDARDS

These products meet and exceed the following codes and standards:

ASME A112.18.1

CSA B125

NSF 61/Section 9

Compliant with 0.25% weighted average lead content regulations



Meets the American Disabilities Act Guidelines and **ANSI A117.1** Requirements for the physically challenged.

