

JADO

P r o d u c t s

Contemporary Floor Mount Tub Filler

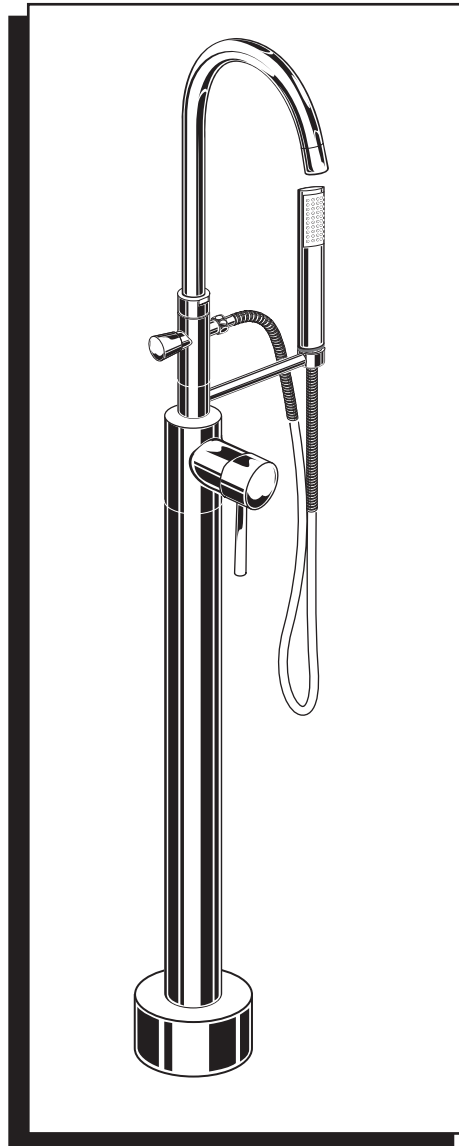
Product Numbers
817/614/...

JADO USA
6615 West Boston
Chandler, AZ 85226
Phone: (800) 227-2734
Fax: (800) 552-JADO (5236)
www.jadousa.com

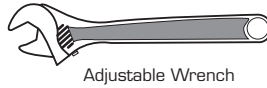
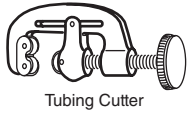
Contemporary Floor Mount Tub Filler **Installation Instructions**

To ensure that your installation proceeds smoothly--please read these instructions carefully before you begin.

L u x u r y F a u c e t s a n d A c c e s s o r i e s



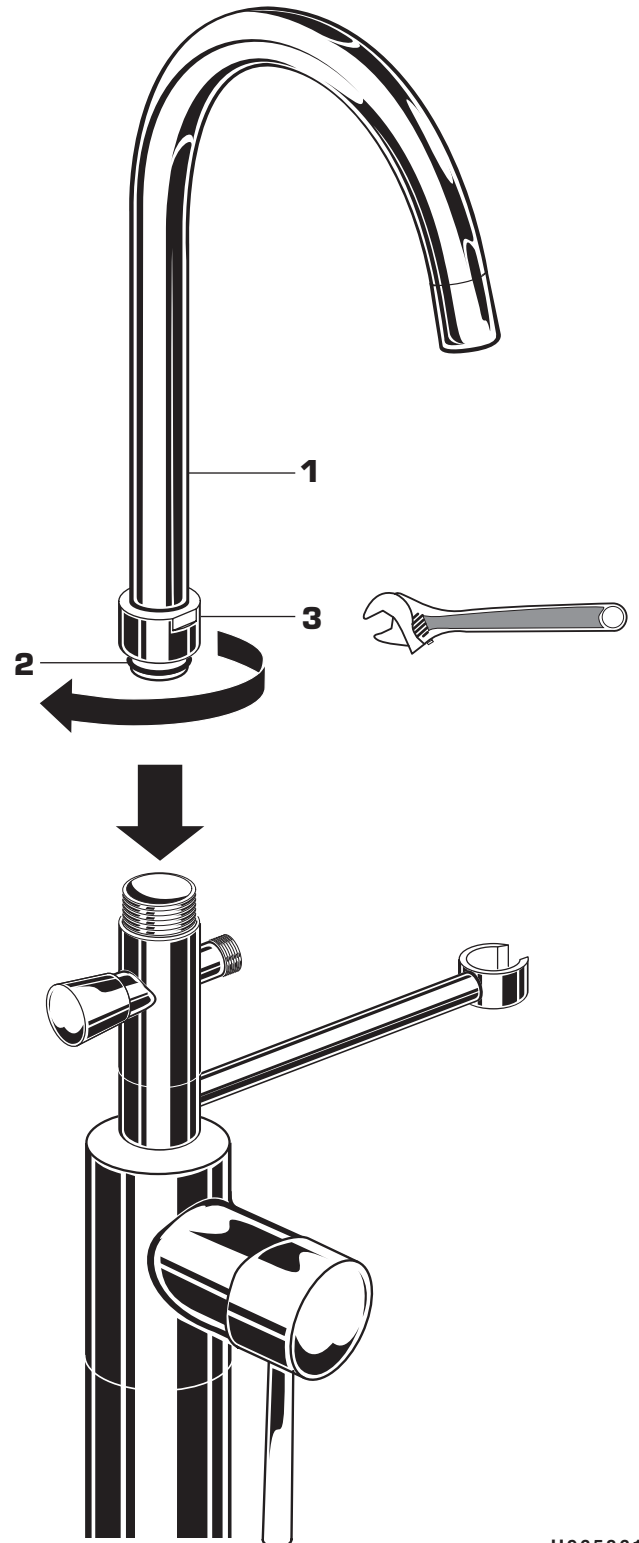
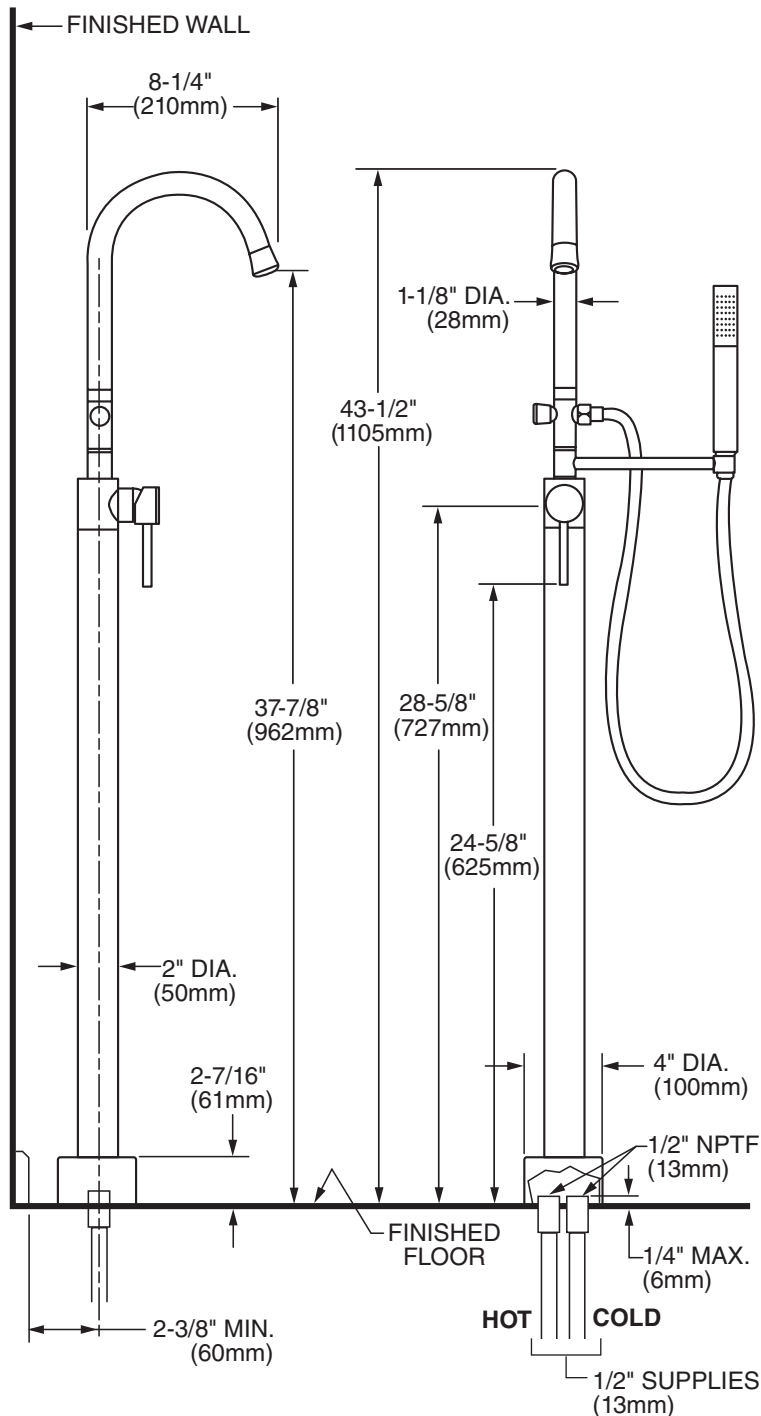
RECOMMENDED TOOLS



1 INSTALL BATH SPOUT TO TUB FILLER **CAUTION** Turn off hot and cold water supplies before beginning.

- Install SPOUT (1) into faucet body. Make sure O-RING (2) is installed and not damaged.
- Hand tighten SPOUT NUT (3). Align and center the SPOUT (1) with the center line of the faucet body. With an adjustable wrench fully tighten the SPOUT NUT (3).
Note: Be careful not to scratch faucet while tightening SPOUT (1).

ROUGHING-IN DIMENSIONS



2

DETERMINE MOUNTING LOCATION

FIGURE 1.

- Determine the distance from the finished wall to the center of the floor water supply holes and mark a centerline. This measurement cannot be less than 2-3/8" (60mm) from the finished wall including any base board moldings.
- Drill two 1-1/4" (32mm) diameter holes for 1/2" Hot and Cold supplies.
- Slide FLANGE COVER (1) upwards on the TUB FILLER ASSEMBLY (2).

Note: Check that floor is level in both directions.

- Place MOUNTING FLANGE (3) over the two floor supply holes. Align and center the TUB FILLER ASSEMBLY (2).

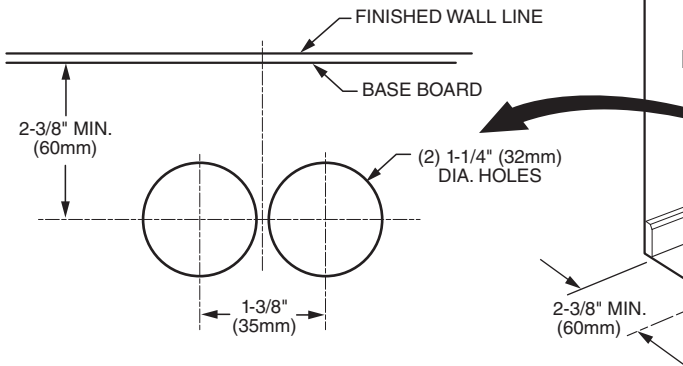


FIGURE 1

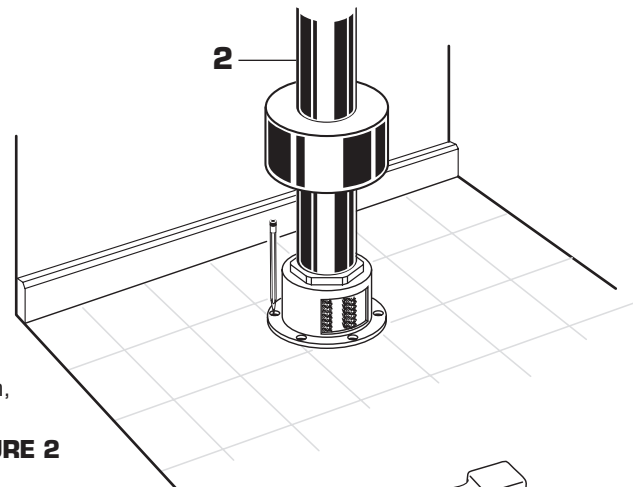
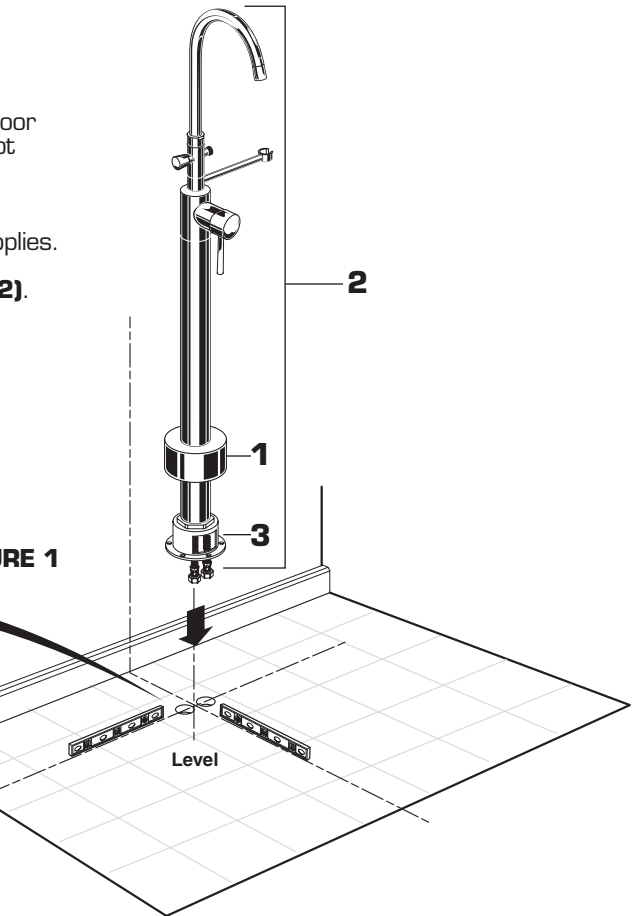


FIGURE 2.

- With the TUB FILLER ASSEMBLY (2) aligned and in desired position, mark on the floor the six mounting holes for the floor flange.

FIGURE 2

FIGURE 3.

- Drill six 1/4" (6mm) diameter holes 1-3/4" (44mm) deep.
- Install the six ANCHORS (4) supplied, flush with the top of the finished floor.

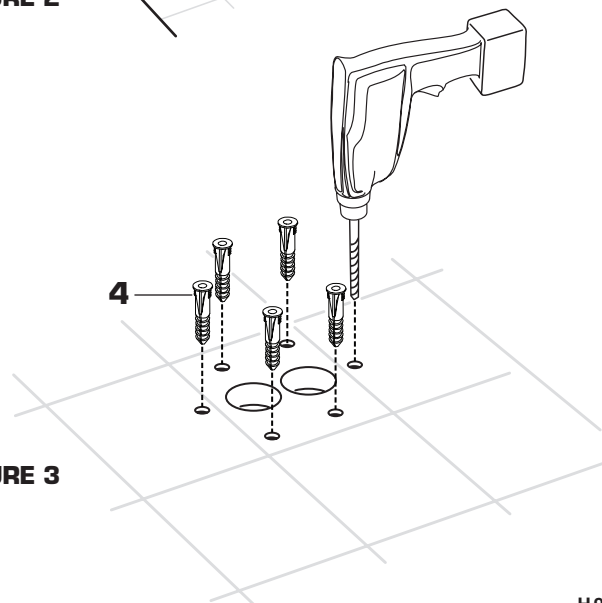


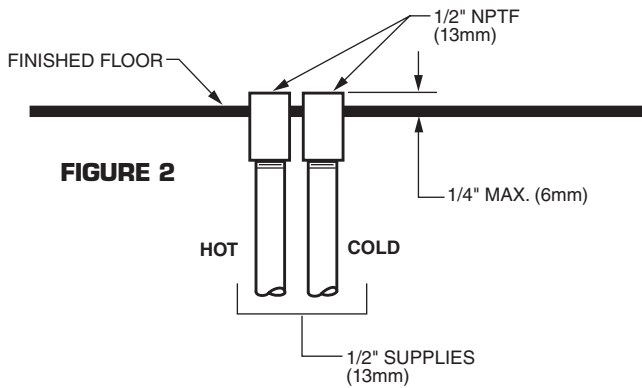
FIGURE 3

3

INSTALL TUB FILLER ASSEMBLY

INSTALL WATER SUPPLIES AND ADAPTERS

- Install the Hot and Cold water supplies through the floor as illustrated. The supplies are 1/2" NPTF. The 1/2" NPTF supplies should not extend more than a 1/4" (6mm) max. above the finished floor. **FIGURES 1 and 2.**
- Apply sealing tape (SUPPLIED) to the threads on the longer side of the HOSE ADAPTERS (1). Thread the HOSE ADAPTERS (1) into the floor supplies and tighten fully. **FIGURE 1.**



Note: Two people will be needed to install the TUB FILLER ASSEMBLY (3), one holding the assembly and one making the supply connections.

- While holding the TUB FILLER ASSEMBLY (3) in place over the floor and water supplies, connect the FLEXIBLE HOT and COLD WATER SUPPLY LINES (4, 5) to the HOSE ADAPTERS (1). **FIGURE 3.**
- Connect the HOT WATER SUPPLY HOSE (4) (marked with red stripe) to the Hot water supply from the floor and the COLD WATER SUPPLY HOSE (5) (marked with blue stripe) to Cold water supply from the floor. Use an adjustable wrench or 7/8" open end wrench to tighten connections. Do not over tighten.
- Hold the TUB FILLER ASSEMBLY (3) in place and install the six MOUNTING SCREWS (2).
- Check alignment and level before final tightening of the MOUNTING SCREWS (2). Push FLANGE COVER (6) flush against finished floor. **FIGURE 4.**

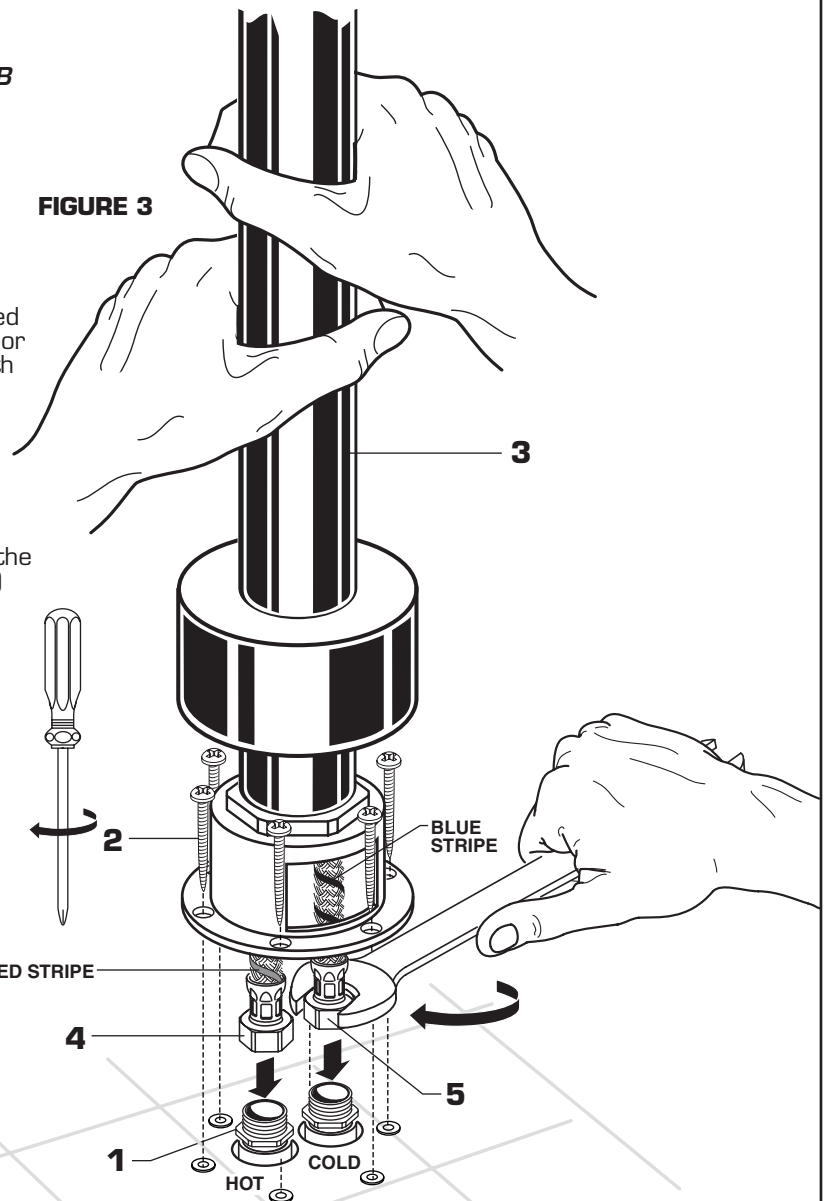
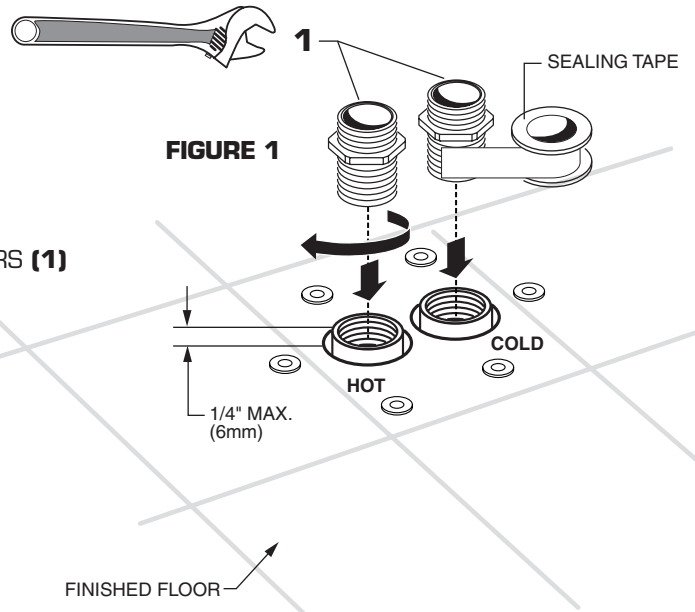
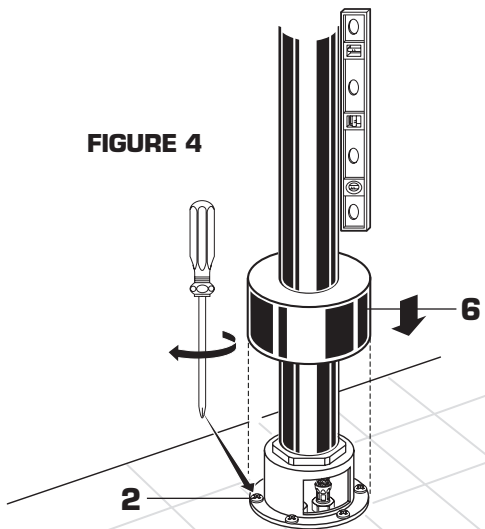
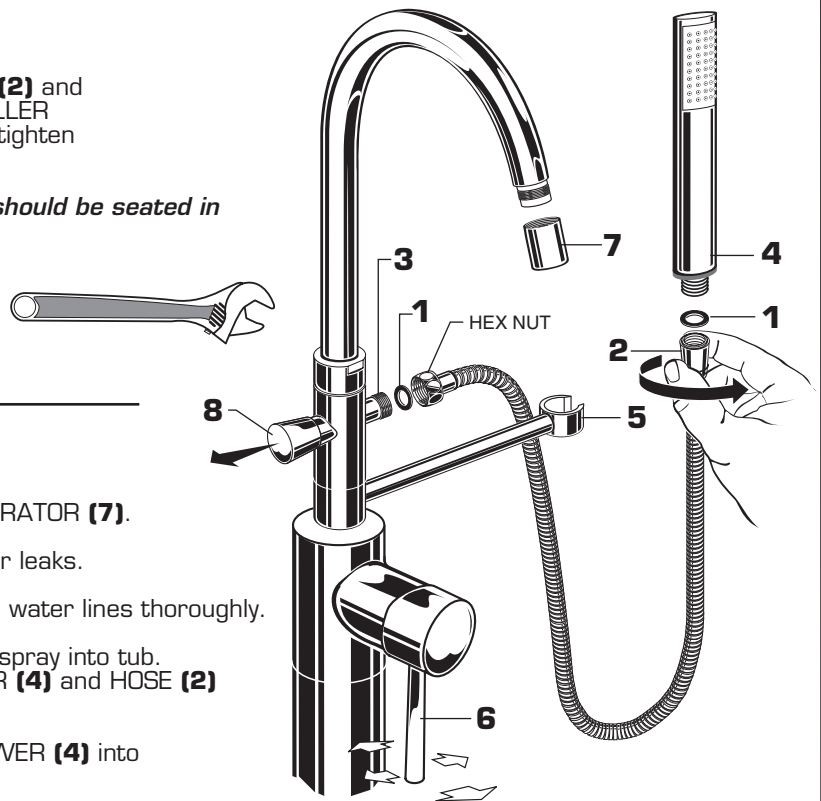


FIGURE 4



4 INSTALL HAND SHOWER

- Install SEALS (1) on both ends of the SPRAY HOSE (2) and connect the one end with the hex nut to the TUB FILLER ASSEMBLY (3) using an adjustable wrench. Hand tighten the connection to the HAND SHOWER (4).
- **Note:** When not in use, the HAND SHOWER (4) should be seated in the HOLDER (5).



5 TEST INSTALLED FAUCET

- Move HANDLE (6) into "off" position and remove AERATOR (7).
- Turn on water supplies and check all connections for leaks.
- Operate HANDLE (6) on to off, hot and cold to flush water lines thoroughly.
- Lift HAND SHOWER (4) from the holder and direct spray into tub. Pull DIVERTER KNOB (8) and check HAND SHOWER (4) and HOSE (2) connections for leaks.
- Push DIVERTER KNOB (8) in and place HAND SHOWER (4) into HOLDER (5).

6 HELPFUL HINTS FOR CLEANING AND MAINTENANCE

- *The solid brass product you have just purchased has been designed to give you years of beauty and service. It is important to bring to your attention proper care and maintenance procedures, which will ensure its lasting beauty.*
- First and foremost, it is important (as it is with any fine piece of jewelry or furniture) that the product be wiped clean and dry with a soft damp cloth after every use.
- Second, under no circumstances should an abrasive cleaner or combination cleaner/polish be used on JADO products. The abrasive nature of such products will eventually destroy the finish and void the warranty.
- In the event of stubborn blemishes shown on the finish, we recommend use of Windex window cleaner with a soft cloth, but we do not recommend it be used on an everyday basis.
- It is important to note that it is normal to expect signs of usage over time.

**Thank you for selecting JADO for your home.
TO THE PURCHASER OF JADO BRASS PRODUCTS**

Attention installer:
Please leave This Pamphlet for The Owner

NOTICE: JADO products conform to industry requirements of water conservation under the ASTM/ANSI A112.18.1-2005 plumbing code. Lavatory, bidet, wet bar and kitchen faucet sets have a maximum flow rate of 2.2GPM. Shower heads, hand showers and body sprays have a maximum flow rate of 2.5GPM.

The state of California has mandated under Proposition #65 that manufactures of products, including faucets which come into contact with potable water, must warn the consumer if the product contains materials listed by the state as a carcinogen or reproductive toxin. Lead, which is contained in all brass faucets in limited amounts appears on the State's list.

Preliminary industry tests have indicated that users of faucets made from brass face no significant danger, however, California Proposition #65 requires that we provide you with the following notice:

Warning: This product contains an element known to the State of California to cause cancer or reproductive harm.

JADO BATHROOM AND HARDWARE MFG. CORP.
6615 West Boston
Chandler, AZ 85226

H965861

JADO FAUCET LIFETIME FUNCTION AND FINISH LIMITED WARRANTY

JADO Bathroom & Hardware Manufacturing Corp. provides the following warranties only to the first residential owner of our products. **FINISHES**

JADO warrants this product to be free from defects in materials or workmanship for as long as the original consumer purchaser owns their home.

JADO will provide, free of charge, at its sole option, replacement part(s) or product (or if no longer available, a comparable product) to replace those which have proven defective in materials or workmanship.

Proof of purchase (original sales receipt) from the original consumer purchaser must be made available to JADO for all limited warranty claims. This limited warranty is non transferable. It does not apply in the event of product damage due to the use of other than genuine JADO replacement parts, installation error, abuse, misuse, or improper care and maintenance (whether performed by a plumber, contractor, service provider or member of the purchaser's household). The limited warranty excludes damage due to aggressive air or water conditions, or harsh or abrasive cleaners and/or materials. This limited warranty excludes all industrial, commercial and business usage, whose purchasers are hereby extended a two year limited warranty (with the exception of solenoid valves and other electronic components which carry a one year limited warranty) applying to all other terms of this limited warranty except duration. This limited warranty does not cover labor charges incurred and/or damages sustained in installation, repair or replacement, nor incidental or consequential damages, all of which are expressly disclaimed. This limited warranty is applicable only to JADO faucets manufactured after June 1, 1996 and installed in the United States and/or Canada.

This limited warranty gives the original consumer purchaser of an JADO faucet specific legal rights which may vary from state to state or from province to province. This limited warranty does not cover any liability for consequential or incidental damages, all of which are hereby expressly disclaimed, or the extension beyond the duration of this limited warranty of any implied limited warranties, including those of merchantability or fitness for an intended purpose. In some states or provinces the exclusion or limitation of incidental or consequential damages is not allowed, so those exclusions may not apply to you.

POLISHED BRASS AND CUSTOM FINISH WARRANTY: A 1 YEAR LIMITED FINISH WARRANTY from date of purchase is provided to the first residential owner against defects in materials and workmanship. Due to the ever-changing finish of Patina products, the finish warranty is excluded. Warranty shall not include problems related to the installation of the product.

MECHANICS MECHANICAL WARRANTY: A LIFETIME LIMITED WARRANTY is provided to the first residential owner on parts to be free from failure related to defects in materials and workmanship but not installation.

CONDITIONS TO WARRANTIES

JADO Bathroom & Hardware Manufacturing Corp. places the following conditions on its finish and mechanical warranties to the first residential owner only. JADO finish and mechanical warranties are limited to products correctly installed and used in a residential environment.

JADO warranties will not assume liability for damage due to abuse, mishandling, incorrect installation, improper maintenance, or deterioration due to normal use.

JADO will not be liable for labor or other costs relating to the sale, installation, or replacement of their products.

In the event of a defect in any JADO product covered by this warranty, the product must be returned to the dealer where originally purchased along with proof of purchase.

JADO's obligation under the warranty shall be limited to the repair or exchange of any product which has been determined by JADO to be defective after appropriate examination.