



Features:

- Cast Brass spout and valves
- Ceramic disc valve cartridge
- Adjustable hot limit safety stop
- Pressure Balance cartridge maintains constant output temperature in response to changes in relative hot and cold supply pressures
- Integral diverter
- Multi-functional showerhead

Showerhead Maximum Flow Rate: 2.5 GPM (9.5L/min)

| Kit Options | Handle Type | Product Number |
|-----------------------|-------------|----------------|
| Tub & Shower Set | Lever | 820/401 |
| PB Diverter Valve Set | Lever | 820/141 |



| Rough & Trim Options | Handle Type | Product Number |
|-----------------------------------|-------------|----------------|
| Tub & Shower Set Trim Only* | Lever | 820/496 |
| PB Diverter Valve Set Trim Only** | Lever | 820/546 |
| Showerhead Only | | 820/082 |
| Tub Spout Only | | 820/017 |
| Rough Only | | 899/261/191 |



| Available Finishes: | Finish Code |
|---------------------|-------------|
| Polished Chrome | 100 |
| Old Bronze | 105 |
| Brushed Nickel | 144 |
| Platinum Nickel | 150 |

* Includes Pressure Balance Diverter Valve Trim, Showerhead & Tub Spout


**Pressure Balance Diverter Valve Trim Only

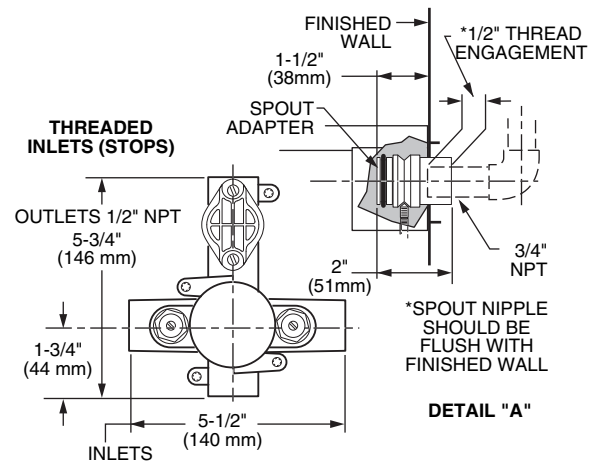
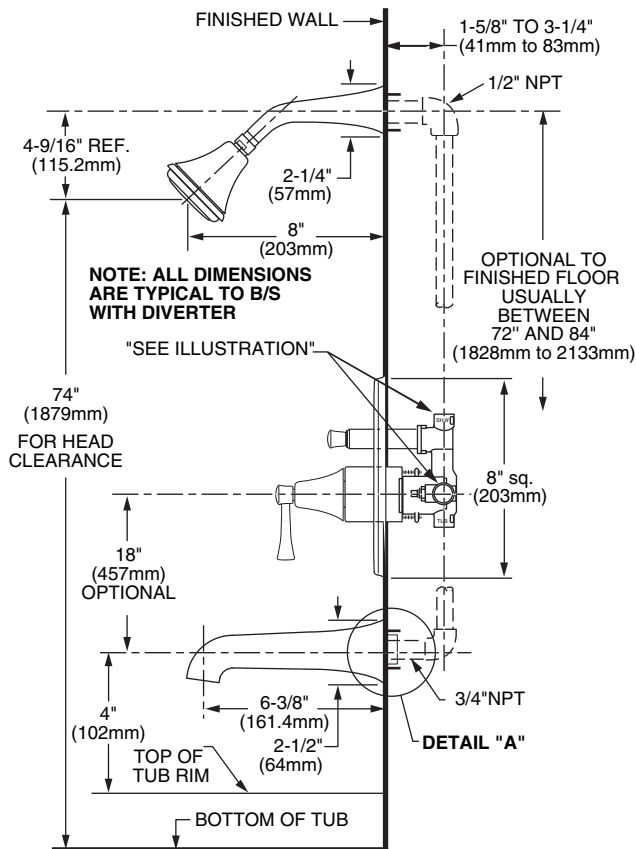
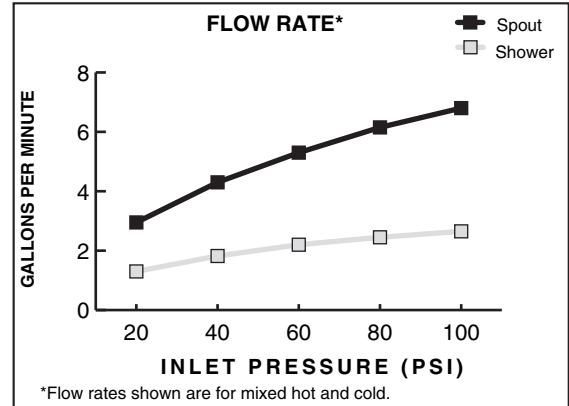
ROUGH-IN DIAGRAM SHOWN ON REVERSE SIDE

CODES & STANDARDS

These products meet and exceed the following codes and standards:

- ASME A112.18.1**
- CSA B125**
- ASSE1016**

 Meets the American Disabilities Act Guidelines and **ANSI A117.1** Requirements for the physically challenged.



IMPORTANT: These measurements are subject to change or cancellation. No responsibility is assumed for use of superseded or voided pages.