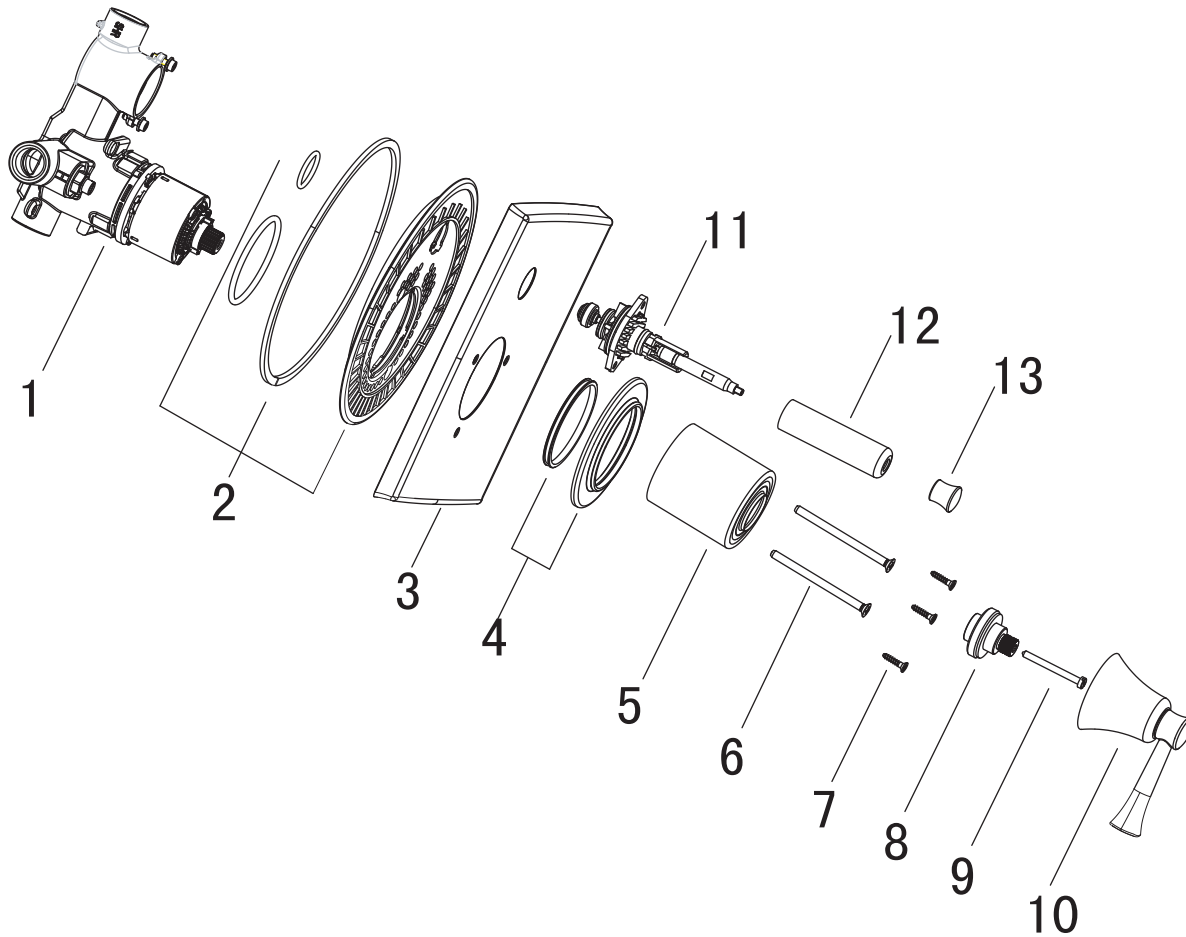


Beginning January 2008



Replace "XXX" with the appropriate code:

Polished Chrome = 100, Old Bronze = 105, Brushed Nickel = 144, Platinum Nickel = 150

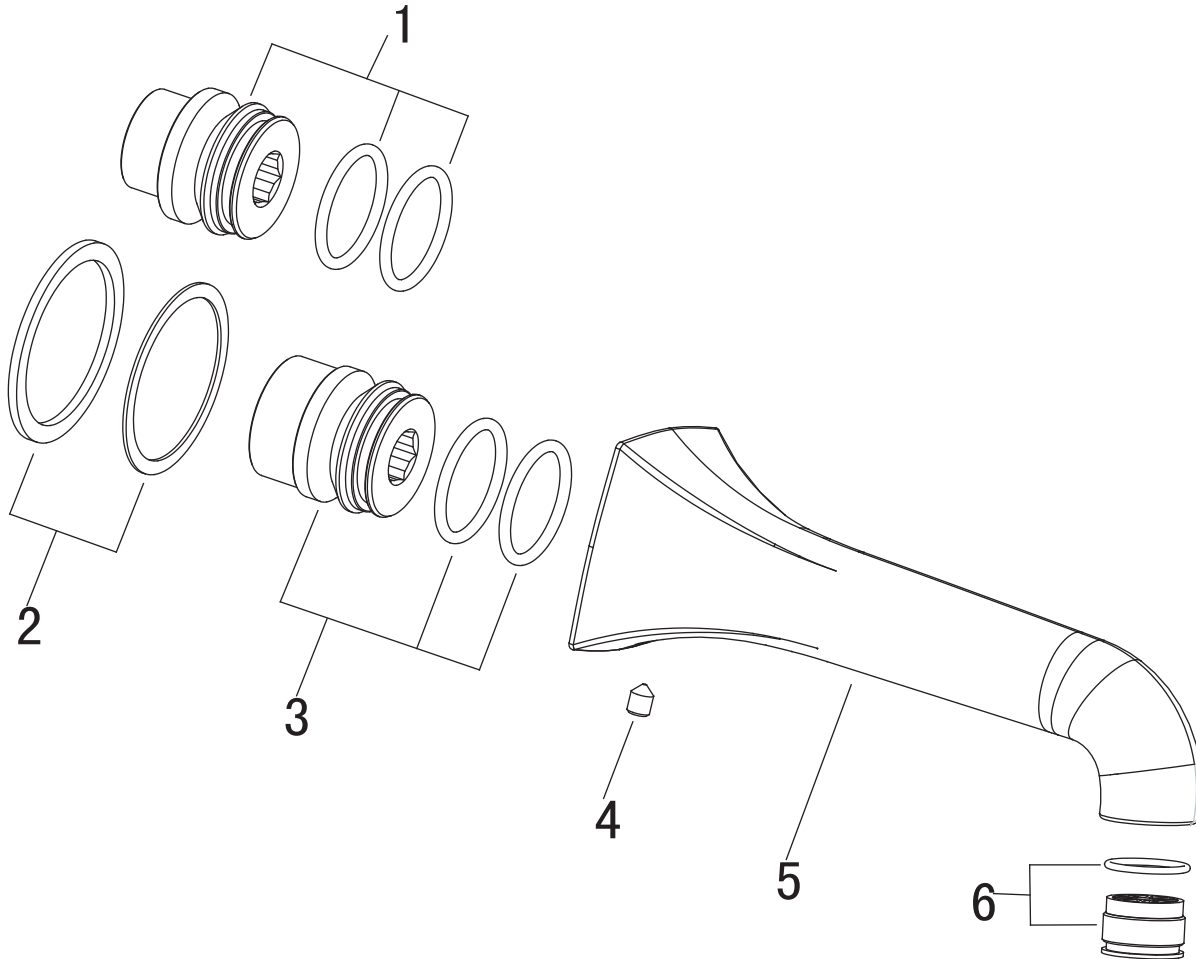
Example Repair Part order:

52009301.100 in Polished Chrome

52009301.105 in Old Bronze

Pos.	Description	Repair Part Number	Delivery quantity	Pos.	Description	Repair Part Number	Delivery quantity
1	Pressure Balance Diverter Valve	899261191	1 set	8	Adapter	59002807.191	1 piece
2	Underlay Kit	5Y0M0055.191	1 set	9	Screw	59002808.191	1 piece
3	Wall plate kit	59002801.XXX	1 piece	10	Handle kit	59002809.XXX	1 set
4	Trim Ring	5Y0M0054.XXX	1 set	11	Diverter	A953929	1 set
5	Cartridge Cover	59002805.XXX	1 set	12	Diverter Sleeve	59002817.XXX	1 piece
6	Screw	59002806.191	2 piece	13	Diverter Knob	59002816.XXX	1 piece
7	Screw	59002820.191	3 piece				

Beginning January 2008



Replace "XXX" with the appropriate code:

Polished Chrome = 100, Old Bronze = 105, Brushed Nickel = 144, Platinum Nickel = 150

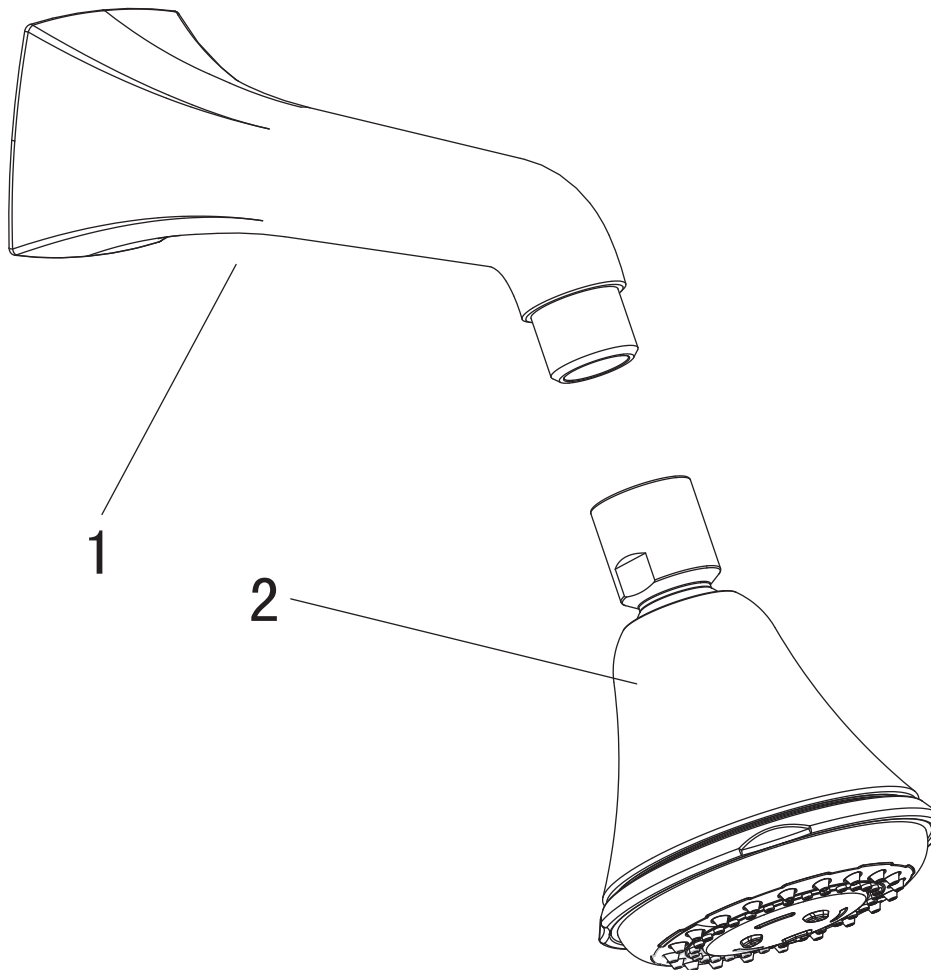
Example Repair Part order:

52009301.100 in Polished Chrome

52009301.105 in Old Bronze

Pos.	Description	Repair part Number	Delivery quantity	Pos.	Description	Repair Part Number	Delivery quantity
1	3/4"NPT Adapter & O-ring	5Y0M0061.191	1 set	4	Screw	51014405.191	1piece
2	Washer	5Y0M0062.191	1 set	5	Spout	51014401.XXX	1piece
3	1/2"NPT Adapter & O-ring	5Y0M0060.191	1 set	6	Aerator	5E0M0027.XXX	1 set

Beginning January 2008



Replace "XXX" with the appropriate code:
 Polished Chrome = 100, Old Bronze = 105, Brushed Nickel = 144, Platinum Nickel = 150

Example Repair Part order:
 52009301.100 in Polished Chrome
 52009301.105 in Old Bronze

Pos.	Description	Repair Part Number	Delivery quantity
1	Shower arm	51014301.XXX	1 piece
2	Shower head	51014302.XXX	1 set