

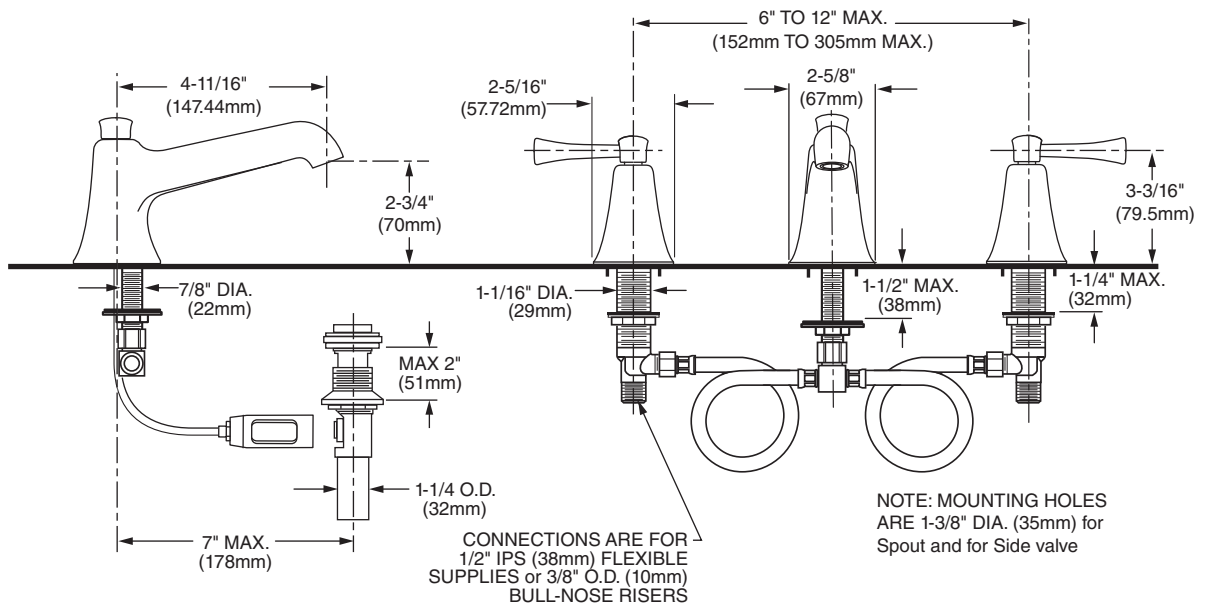


Features:

- Ceramic disc valve cartridge
- 1/2" NPSM Inlet connections
- Speed Connect® with 1-1/4" drain
- Handle body to be one piece
- Cast Brass construction on handle and escutcheon
- Handles with hidden attachment screws
- Flexible hose connections for 6" - 12" installations
- Lead Free - Faucet contains ≤ 0.25% total lead content by weighted volume
- Maximum Flow Rate: 1.5 GPM (5.7L/min)

	Handle Type	Product Number	
8" Widespread Lavatory Faucet	Lever	820/003	

Available Finishes:	Finish Code
Polished Chrome	100
Old Bronze	105
Brushed Nickel	144
Platinum Nickel	150



IMPORTANT: These measurements are subject to change or cancellation. No responsibility is assumed for use of superseded or voided pages.

CODES & STANDARDS

These products meet and exceed the following codes and standards:

ASME A112.18.1

CSA B125

NSF 61/Section 9 & Annex G

EPA WaterSense® High Efficiency Lavatory Faucet Specification



Meets the American Disabilities Act Guidelines and **ANSI A117.1** Requirements for the physically challenged.

