



Features:

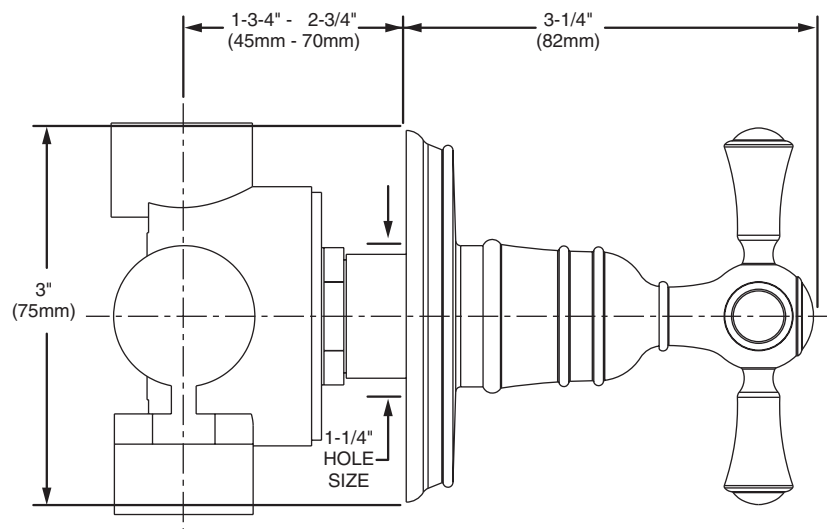
- Alternates water flow between 2 or 3 discrete shower outlets
- 4/3 Port Diverter allows for 1 inlet and 3 outlets
- 3/2 Port Diverter allows for 1 inlet and 2 outlets
- 1/2" NPT inlets and outlets

Pictured: 842/178 Diverter Valve with Cross Handle

Kit Options	Product Number
Hatteras 3/2 Port Diverter Valve - Cross Handle	842/177
Hatteras 4/3 Port Diverter Valve - Cross Handle	842/178

Rough & Trim Options	Product Number
Trim Only - Cross Handle	831/077
Rough Only - 3/2 Port Diverter	865/003/191
Rough Only - 4/3 Port Diverter	865/004/191

Available Finishes:	
Polished Chrome	100
Brushed Nickel	144
Platinum Nickel	150



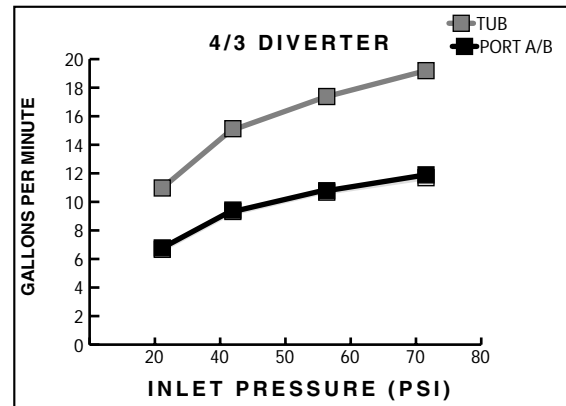
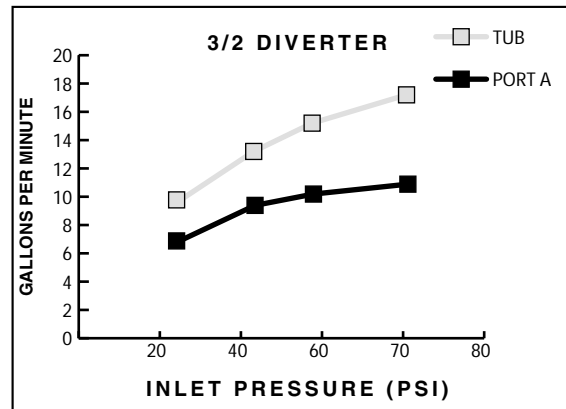
IMPORTANT: These Measurements are subject to change or cancellation. No responsibility is assumed for use of superseded or voided pages.

CODES & STANDARDS

These products meet and exceed the following codes and standards:

ASME A112.18.1

CSA B125



IMPORTANT: These Measurements are subject to change or cancellation. No responsibility is assumed for use of superseded or voided pages.