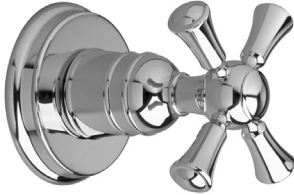


### Features:

- Alternates water flow between 2 or 3 discrete shower outlets
- 4/3 Port Diverter allows for 1 inlet and 3 outlets
- 3/2 Port Diverter allows for 1 inlet and 2 outlets
- 1/2" NPT inlets and outlets

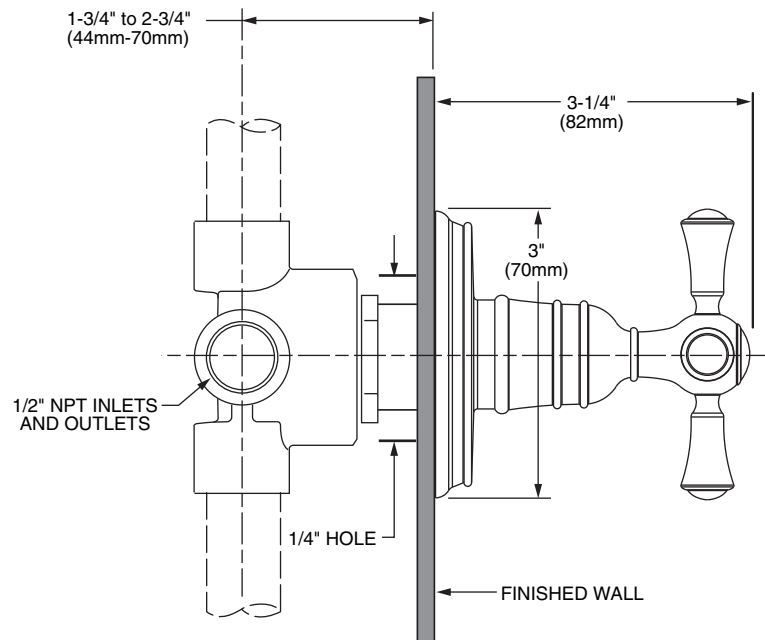


Kit Options	Handle Type	Product Number
3/2 Port Diverter Valve	Cross	842/177
4/3 Port Diverter Valve	Cross	842/178

Rough & Trim Options	Handle Type	Product Number
Trim Only	Cross	842/077
Rough Only- 3/2 Port Diverter Valve		876/003/191
Rough Only- 4/3 Port Diverter Valve		876/004/191

Extension Kits	Product Number
Diverter Valve Extension Kit	H3990.191

Available Finishes:	Finish Code
Polished Chrome	100
Old Bronze	105
Brushed Nickel	144
Platinum Nickel	150
Antique Nickel	444



**IMPORTANT:** These measurements are subject to change or cancellation. No responsibility is assumed for use of superseded or voided pages.

### CODES & STANDARDS

These products meet and exceed the following codes and standards:

**ASME A112.18.1**

**CSA B125**

