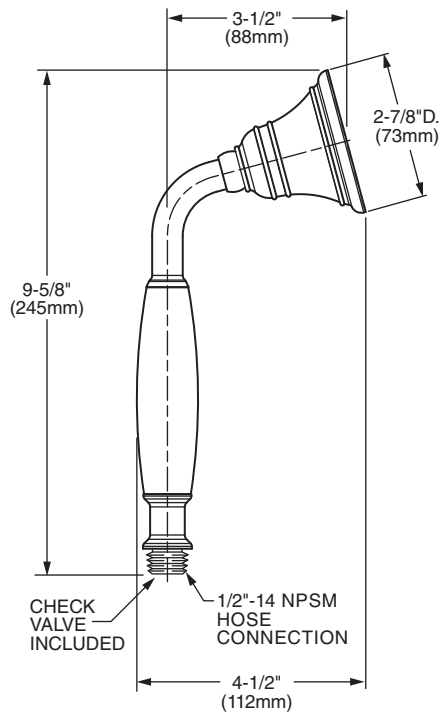




Features:

- Contoured handle design
- Includes flow restrictor
- 1/2"-14 NPSM hose connection
- Maximum Hand Shower Flow Rate: 2.5 GPM (9.5L/min)

Description	Product Number	Available Finishes	Finish Code
Personal Hand Shower	842/008	Polished Chrome	100
		Brushed Nickel	144
		Platinum Nickel	150



IMPORTANT: These measurements are subject to change or cancellation. No responsibility is assumed for use of superseded or voided pages.

CODES & STANDARDS

These products meet and exceed the following codes and standards:

- ASME A112.18.1
- CSA B125.1

