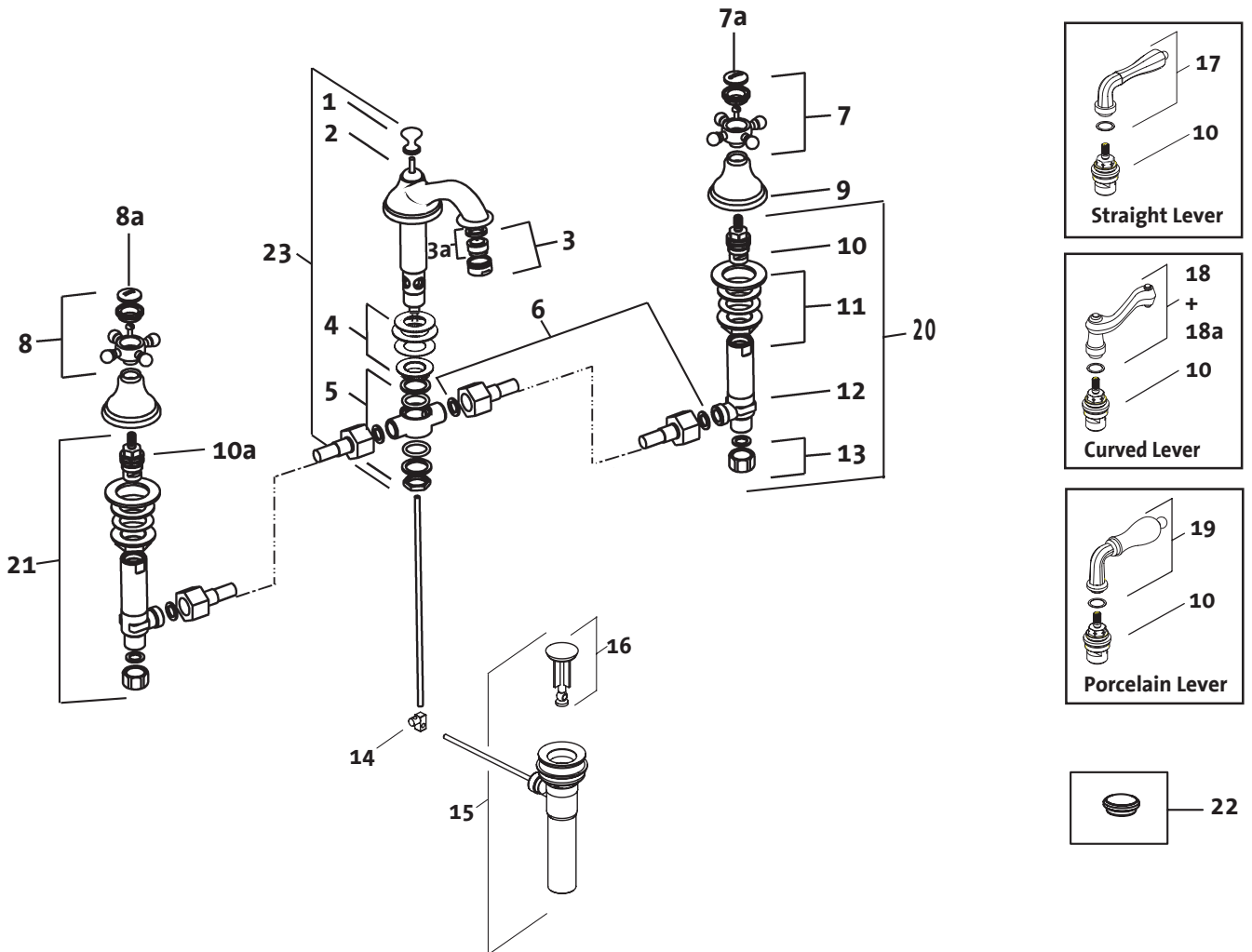


Colonial Widespread Lavatory Set

853/908/... 853/909/... 853/918/... 853/998/...

JADO



Replace "XXX" with the appropriate finish code:

Polished Chrome = 100, Old Bronze = 105, UltraBrass = 113, Brushed Nickel = 144
Platinum Nickel = 150, Diamond = 167

The following finishes apply only to Porcelain Lever :

UltraBrass/White Porcelain = 122, Brushed Nickel/White Porcelain = 124, Old Bronze/White Porcelain = 125,
Polished Chrome/White Porcelain = 128, Platinum Nickel/White Porcelain = 152, Diamond/White Porcelain = 153

Example Repair Part order:

H960752.105 in Old Bronze
H960752.167 in Diamond

Pos.	Description	Repair Part Number	Delivery quantity	Pos.	Description	Repair Part Number	Delivery quantity
1	Pop-up Knob	H960752.XXX	1 Piece	11	Mounting Kit	H960278.191	1 Set
2	Pop-up Rod	H960750.XXX	1 Piece	12	1/2" Side Valve Body	H960125.191	1 Piece
3	Aerator Assembly	H960568.XXX	1 Set	13	Supply Nut	H960581.191	1 Piece
3a	Aerator	H960909.191	1 Piece	14	Pop-up Rod Swivel	H960103.191	1 Piece
4	Mounting Kit	H960295.191	1 Set	15	Pop-up Drain Assembly	874014.XXX	1 Piece
5	Spout Tee	H960128.191	1 Piece	16	Drain Stopper	H960097.XXX	1 Piece
6	Flex Hose	H960130.191	1 Piece	17	Straight Lever	H960019.XXX	1 Piece
7	Cross Handle Set "Cold"	H960759.XXX	1 Set	18	Curved Lever Right	H960017.XXX	1 Piece
7a	Handle Cap "Cold"	H960526.XXX	1 Set	18a	Curved Lever Left	H960018.XXX	1 Piece
8	Cross Handle Set "Hot"	H960758.XXX	1 Set	19	Porcelain Lever	H960028.XXX	1 Piece
8a	Handle Cap "Hot"	H960551.XXX	1 Set	20	1/2" Side Valve Rough (Clockwise on) - Levers	H960742.191	1 Piece
9	1/2" Deck Valve Bell	H960358.XXX	1 Piece	21	1/2" Side Valve Rough Counterclockwise on)	H960741.191	1 Piece
10	1/2" Cartridge (Clockwise on)	H960136.191	1 Piece	22	All Metal Handle Cap	H960986.XXX	1 Piece
10a	1/2" Cartridge (Counterclockwise on)	H960104.191	1 Piece	23	Spout Assembly	894008.XXX	1 Piece