



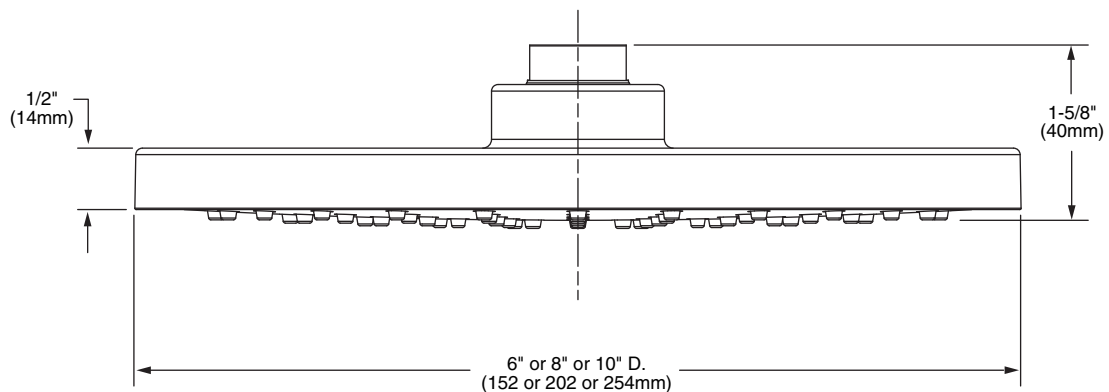
Features:

- 1/2" NPT
- Brass Construction
- Coordinates with our Contemporary collections
- Clean design profile with hidden ball joint
- Showerhead can pivot
- Easy clean rubber nozzles
- Engine inside the showerhead to channel water evenly
- Little to no residual water after showerhead has been shut off

Maximum Flow Rate: 2.5 GPM (9.5L/min)

	Product Number
6" Rain Showerhead	860/206
8" Rain Showerhead	860/208
10" Rain Showerhead	860/210

Available Finishes:	Finish Code
Polished Chrome	100
Brushed Nickel	144
Platinum Nickel	150
UltraSteel (PVD)	355



IMPORTANT: These measurements are subject to change or cancellation. No responsibility is assumed for use of superseded or voided pages.

CODES & STANDARDS

These products meet and exceed the following codes and standards:

ASME A112.18.1

CSA B125

