



Features:

- Cast brass spout and valves
- Ceramic disc valve cartridge
- Integrated lever handle
- 7" - 8-1/4" adjustable spout reach

Maximum Flow Rate: 2.2 GPM (8.3L/min)

Kit Options	Handle Type	Product Number
Single Lever Wall Mount Faucet	Lever	832/075

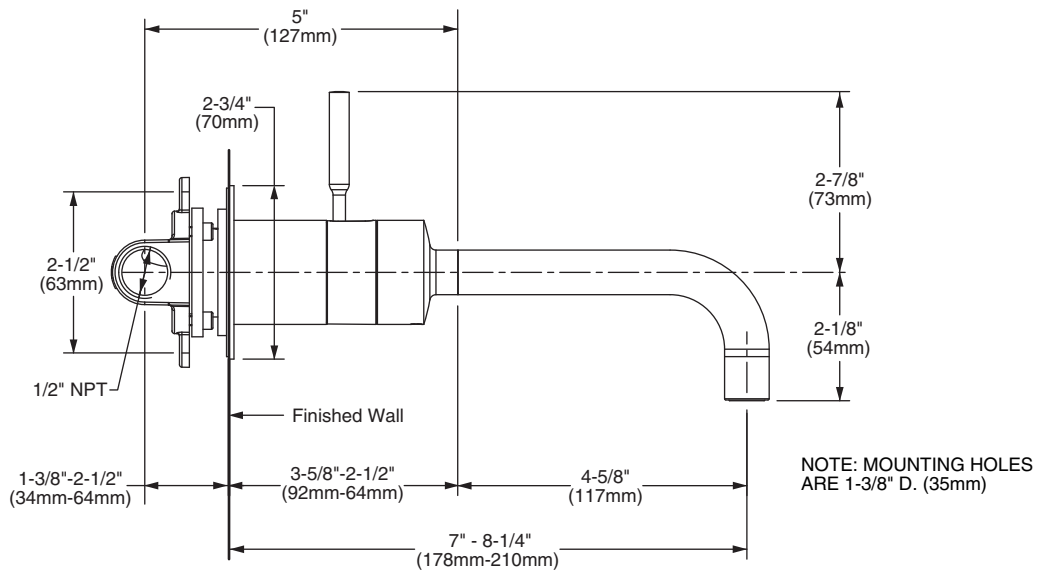


Rough & Trim Options	Handle Type	Product Number
Trim Only		832/074
Rough Only		876/008/191



Extension Kits	Product Number
Wall Mount Lavatory Extension Kit	H960803.191

Available Finishes:	Finish Code
Polished Chrome	100
UltraSteel (PVD)	355



IMPORTANT: These measurements are subject to change or cancellation. No responsibility is assumed for use of superseded or voided pages.

CODES & STANDARDS

These products meet and exceed the following codes and standards:

ASME A112.18.1

CSA B125

NSF 61/Section 9



Meets the American Disabilities Act Guidelines and **ANSI A117.1** Requirements for the physically challenged.

