
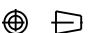
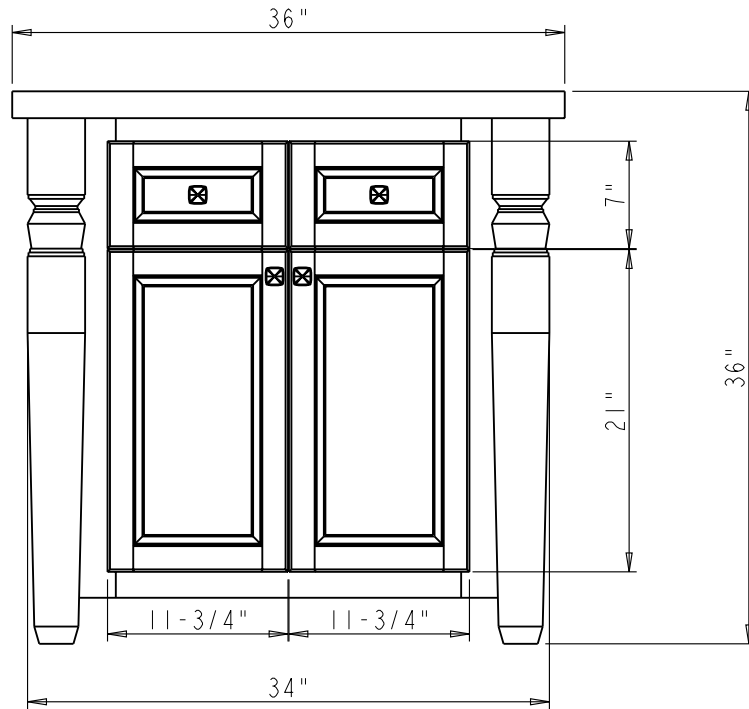


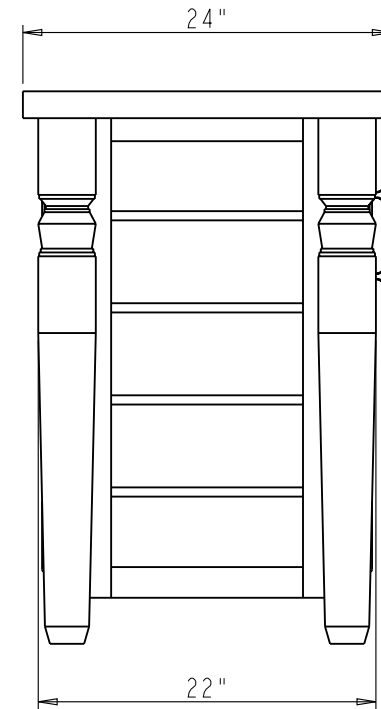
Specification:

1. Material: MDF and Birch
2. Finish: French White, Aged Black
3. Hardware: 431SN ( 4 PCS ) on AGB and FWH
4. Slides: USE18 ( 2 Sets )
5. Shelf Supports: 1707BN ( 36 PCS )
6. Hinge: 700.0535.05 with 600.1233.05 plate
7. Drawer Boxes: 5/8" Rubber wood  
Clear color  
Dovetail
8. The tolerance is +/- 1/8"

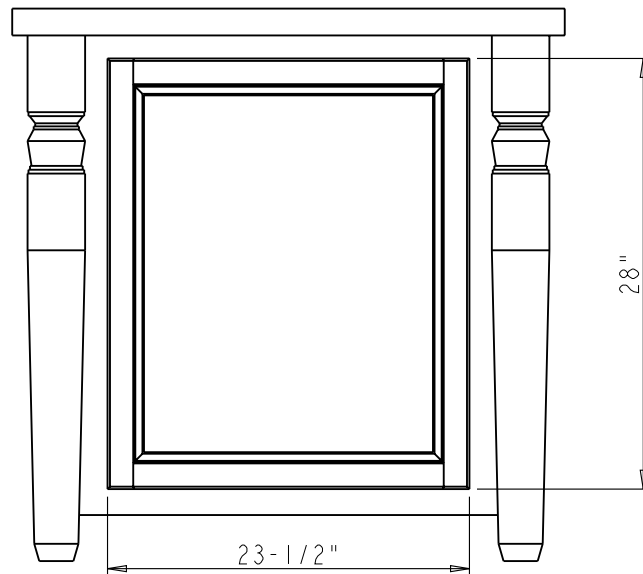
 <b>hardware resources</b>	ITEM#: ISL12-A2		MATERIAL:			
	FINISH:		WEIGHT: 9			
<b>PROPRIETARY AND CONFIDENTIAL</b> THE INFORMATION CONTAINED IN THIS DRAWING IS THE SOLE PROPERTY OF HARDWARE RESOURCES INC. ANY REPRODUCTION IN PART OR AS A WHOLE WITHOUT THE WRITTEN PERMISSION OF HARDWARE RESOURCES INC. IS PROHIBITED	DO NOT SCALE DRAWING		PROJECTION: 			
			UNIT:	DRAWN BY: <i>alan.liu</i>	DATE:	
			SIZE:	CHECKED BY:	DATE:	
			PAGE 01	APPROVED BY:	DATE:	



FRONT VIEW

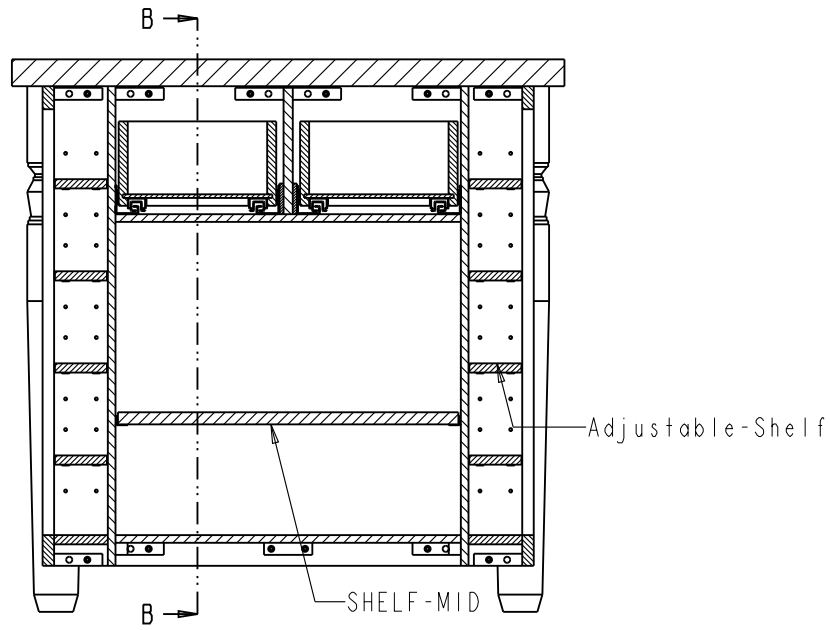


SIDE VIEW

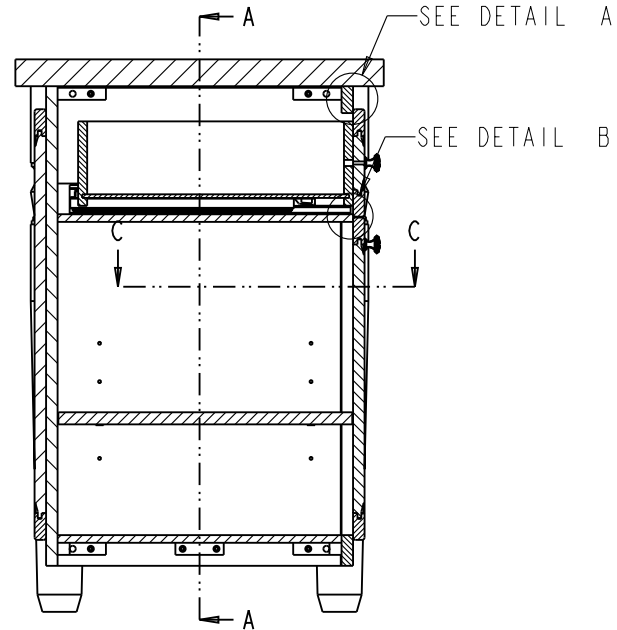


REAR VIEW

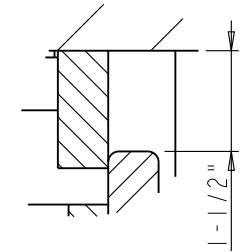
	ITEM:	1SL12-A2		MATERIAL:
	FINISH:			WEIGHT: 9
<b>PROPRIETARY AND CONFIDENTIAL</b> THE INFORMATION CONTAINED IN THIS DRAWING IS THE SOLE PROPERTY OF HARDWARE RESOURCES INC. ANY REPRODUCTION IN PART OR AS A WHOLE WITHOUT THE WRITTEN PERMISSION OF HARDWARE RESOURCES INC. IS PROHIBITED.	DO NOT SCALE DRAWING		DRAWN BY: <i>alan.liu</i>	PROJECTION:
	UNIT:	CHECKED BY:	DATE:	DATE:
	SIZE:	APPROVED BY:	DATE:	DATE:
PAGE 02				



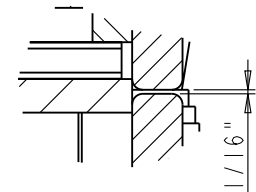
SECTION A-A  
SCALE 2:25



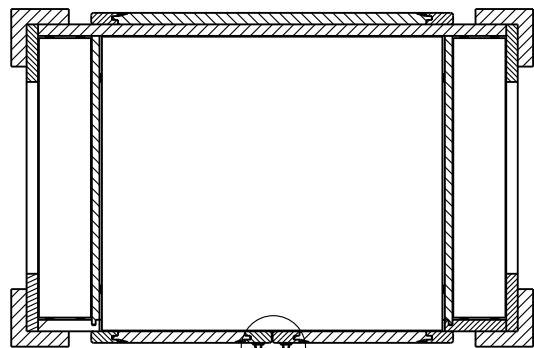
SECTION B-B



DETAIL A  
SCALE 7:20

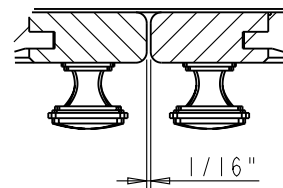


DETAIL B  
SCALE 7:20



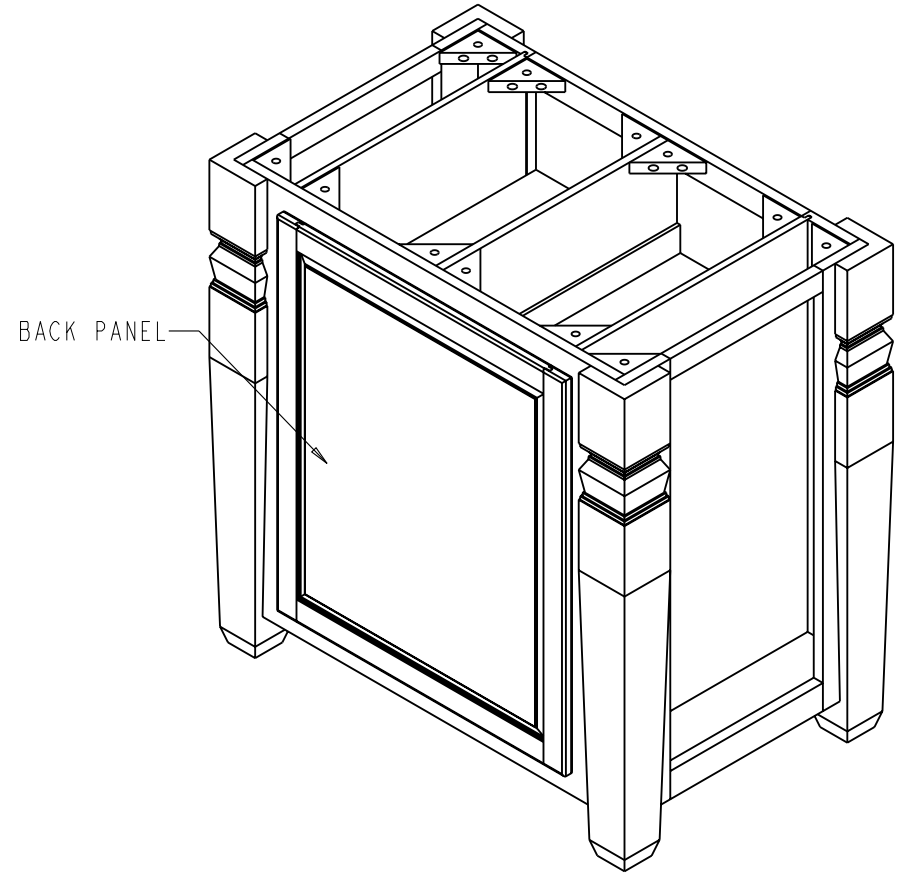
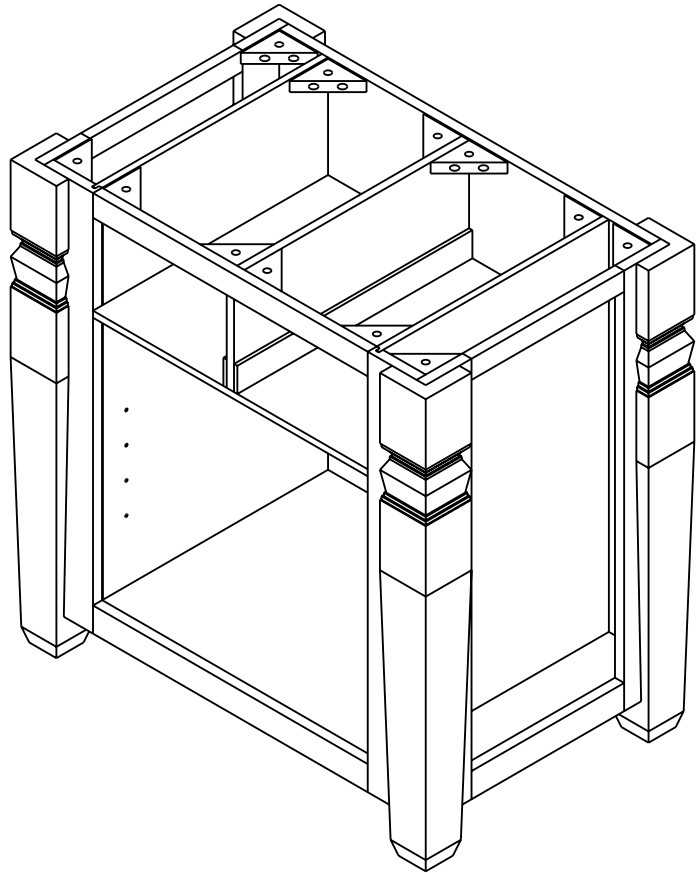
SECTION C-C

SEE DETAIL C




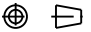
DETAIL C  
SCALE 7:20

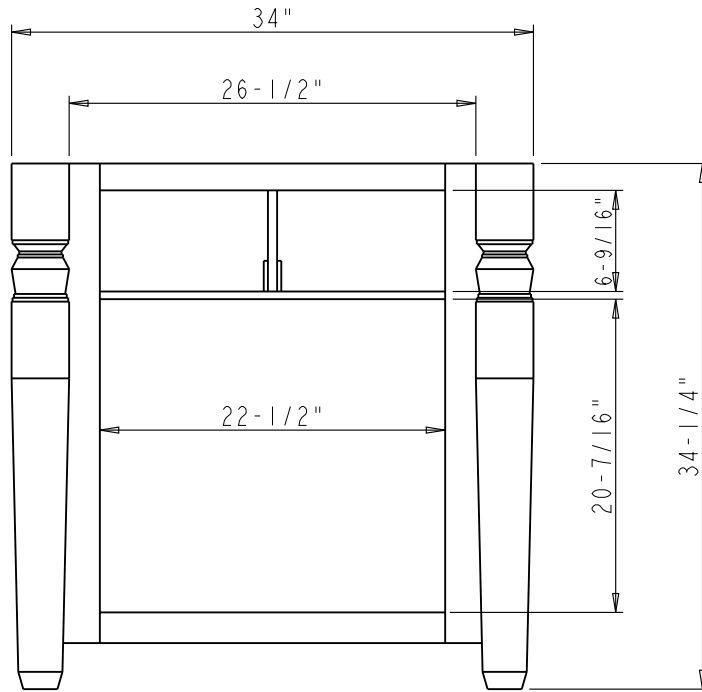
	ITEM:	1SL12-A2		MATERIAL:
	FINISH:			WEIGHT: 9
PROPRIETARY AND CONFIDENTIAL THE INFORMATION CONTAINED IN THIS DRAWING IS THE SOLE PROPERTY OF HARDWARE RESOURCES INC. ANY REPRODUCTION IN PART OR AS A WHOLE WITHOUT THE WRITTEN PERMISSION OF HARDWARE RESOURCES INC. IS PROHIBITED.	DO NOT SCALE DRAWING	UNIT:	DRAWN BY:	DATE:
		SIZE:	<i>alan.liu</i> CHECKED BY:	DATE:
		PAGE 03	APPROVED BY:	DATE:
				PROJECTION:



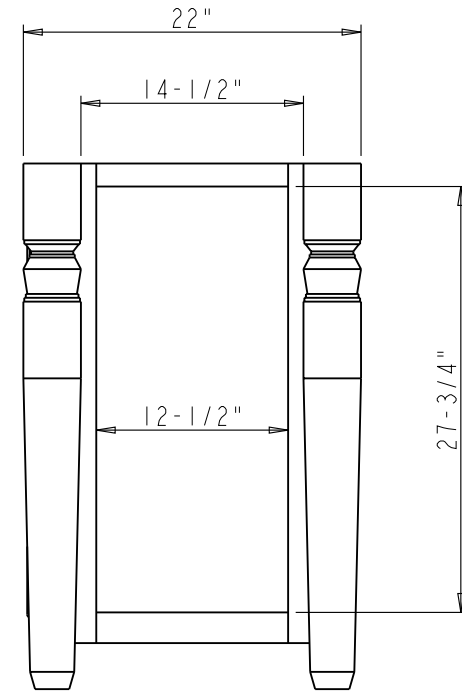
Specification:

1. Material: MDF and Birch
2. Finish: French White, Aged Black

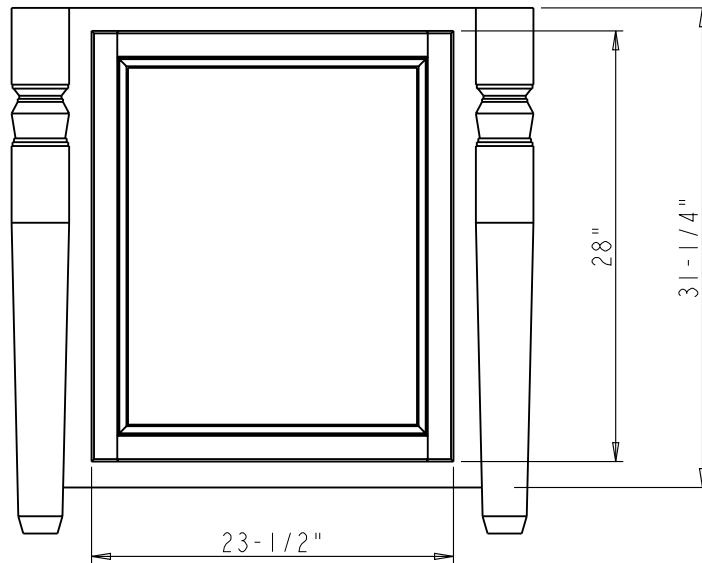
	ITEM#: CABINET		MATERIAL:		
	FINISH:		WEIGHT: 9		
<p><b>PROPRIETARY AND CONFIDENTIAL</b></p> <p>THE INFORMATION CONTAINED IN THIS DRAWING IS THE SOLE PROPERTY OF HARDWARE RESOURCES INC. ANY REPRODUCTION IN PART OR AS A WHOLE WITHOUT THE WRITTEN PERMISSION OF HARDWARE RESOURCES INC. IS PROHIBITED</p>	PROJECTION: 		DATE:		
	DO NOT SCALE DRAWING	UNIT:	DRAWN BY: <i>alan.liu</i>	DATE:	
		SIZE:	CHECKED BY:	DATE:	
PAGE 04		APPROVED BY:	DATE:		



FRONT VIEW

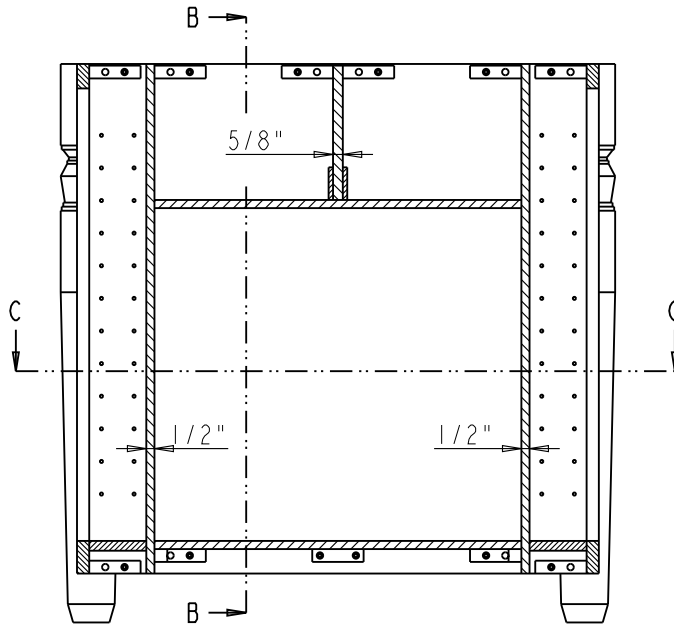


SIDE VIEW

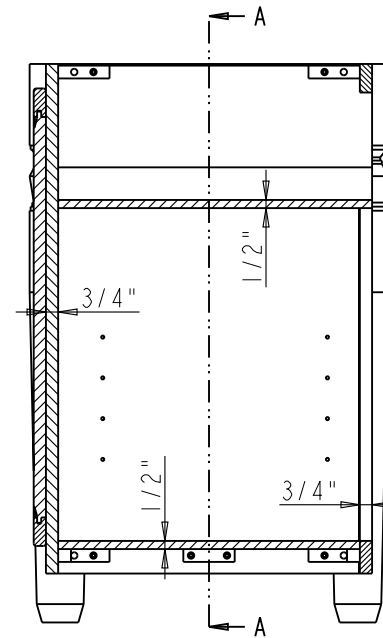


REAR VIEW

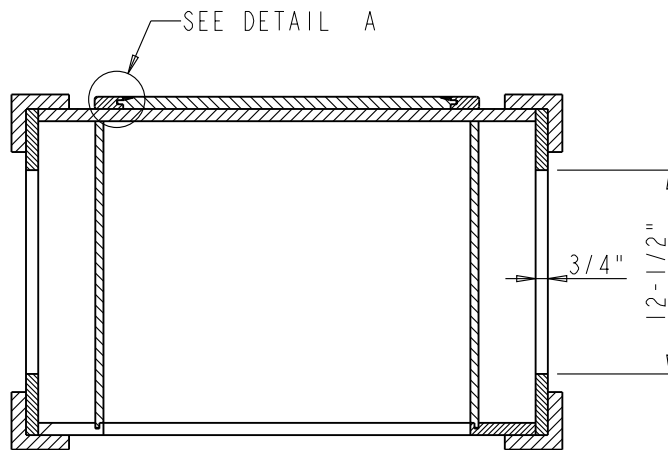
	ITEM: CABINET		MATERIAL:	
	FINISH:		WEIGHT: 9	
PROPRIETARY AND CONFIDENTIAL THE INFORMATION CONTAINED IN THIS DRAWING IS THE SOLE PROPERTY OF HARDWARE RESOURCES INC. ANY REPRODUCTION IN PART OR AS A WHOLE WITHOUT THE WRITTEN PERMISSION OF HARDWARE RESOURCES INC. IS PROHIBITED.	DO NOT SCALE DRAWING		PROJECTION:	
	UNIT:	DRAWN BY: <i>alan.liu</i>	DATE:	
	SIZE:	CHECKED BY:	DATE:	
PAGE 05		APPROVED BY:	DATE:	



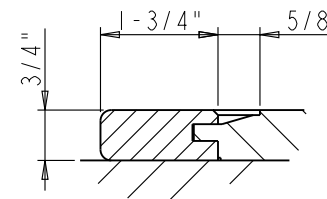
SECTION A-A  
SCALE 17:200



SECTION B-B

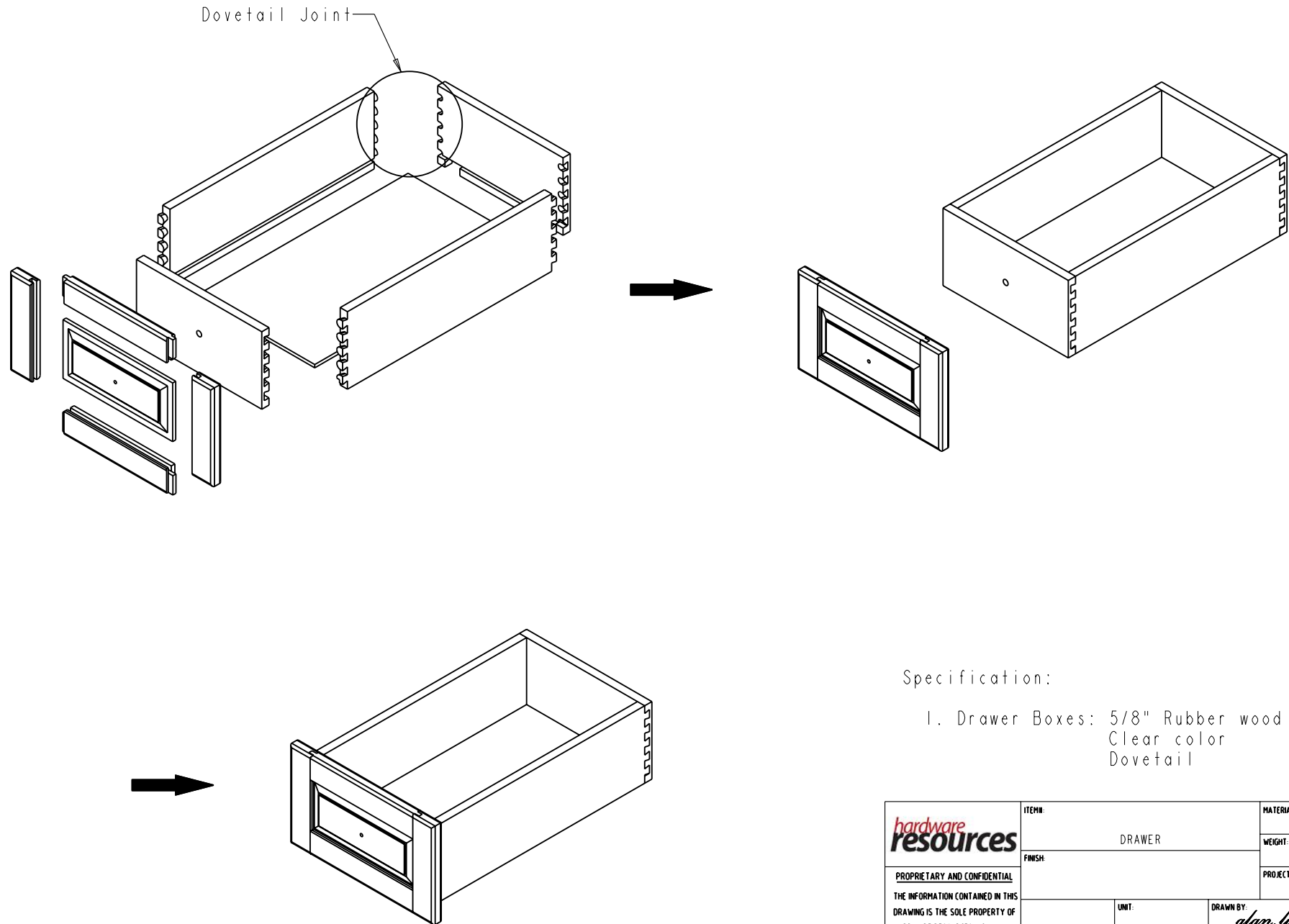


SECTION C-C



DETAIL A  
SCALE 7:20

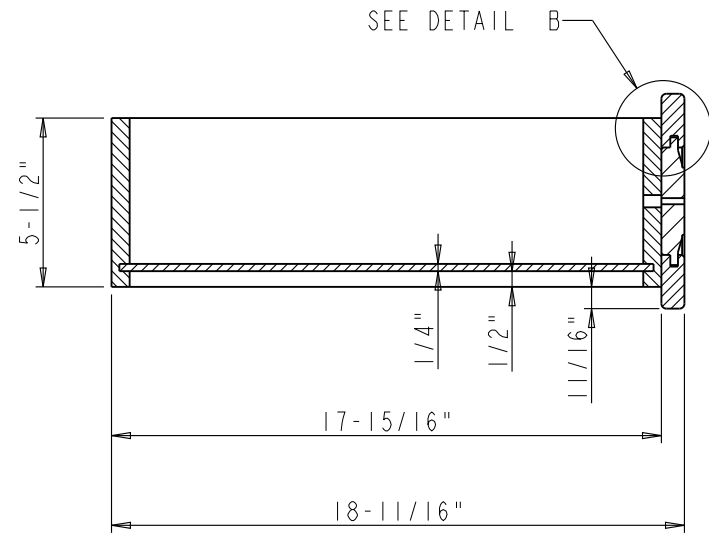
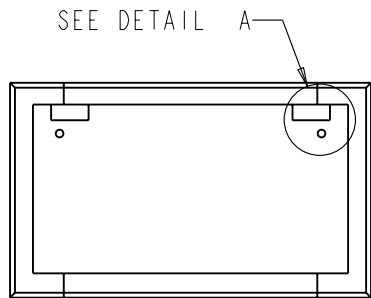
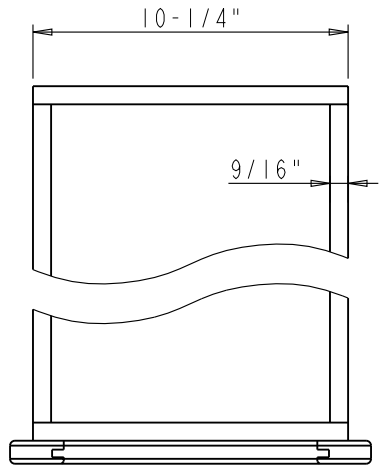
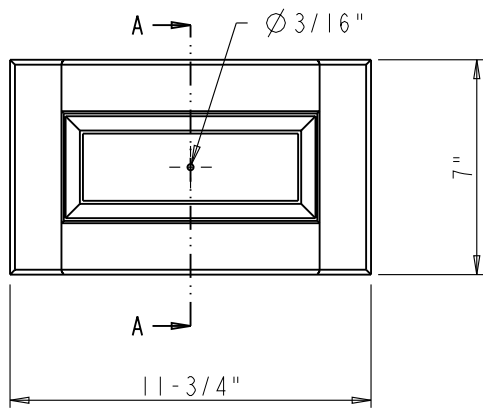
	ITEM: CABINET		MATERIAL:	
	FINISH:		WEIGHT: 9	
PROPRIETARY AND CONFIDENTIAL THE INFORMATION CONTAINED IN THIS DRAWING IS THE SOLE PROPERTY OF HARDWARE RESOURCES INC. ANY REPRODUCTION IN PART OR AS A WHOLE WITHOUT THE WRITTEN PERMISSION OF HARDWARE RESOURCES INC. IS PROHIBITED.	DO NOT SCALE DRAWING		PROJECTION:	DRAWN BY: <i>alan.liu</i>
	UNIT:	CHECKED BY:	DATE:	DATE:
	SIZE:	APPROVED BY:	DATE:	DATE:
PAGE 06				



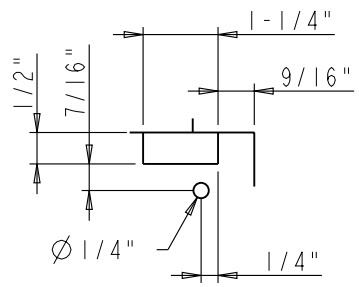
Specification:

- 1. Drawer Boxes: 5/8" Rubber wood
- Clear color
- Dovetail

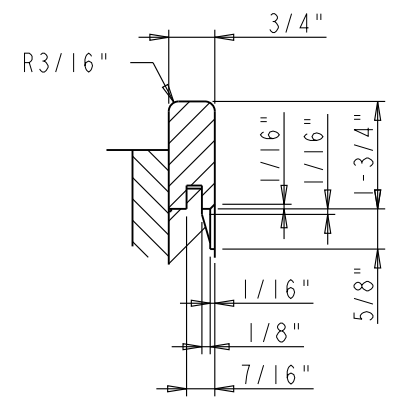
	ITEM: DRAWER		MATERIAL:		
	FINISH:		WEIGHT: 9		
PROPRIETARY AND CONFIDENTIAL THE INFORMATION CONTAINED IN THIS DRAWING IS THE SOLE PROPERTY OF HARDWARE RESOURCES INC. ANY REPRODUCTION IN PART OR AS A WHOLE WITHOUT THE WRITTEN PERMISSION OF HARDWARE RESOURCES INC. IS PROHIBITED	DO NOT SCALE DRAWING		UNIT:	DRAWN BY: <i>alan.lee</i>	DATE:
			SIZE:	CHECKED BY:	DATE:
	PAGE 07		APPROVED BY:	DATE:	
			PROJECTION:		



SECTION A-A



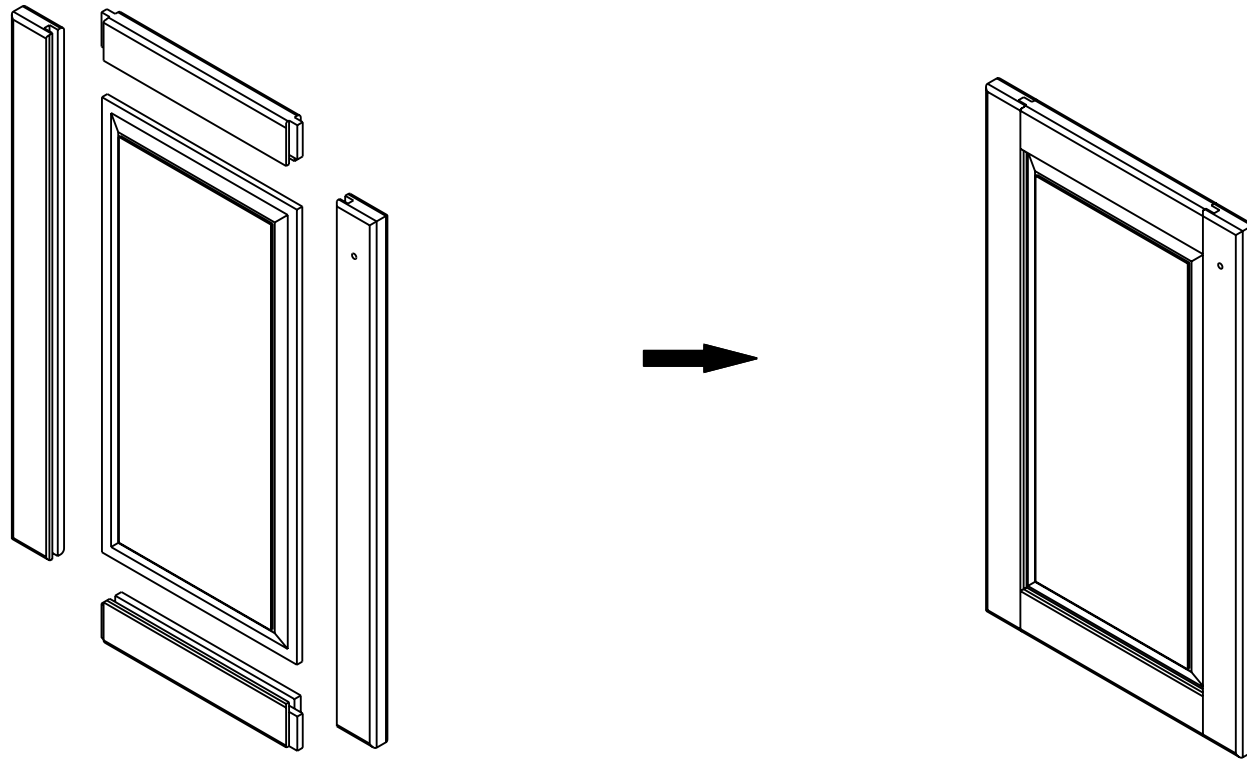
DETAIL A  
SCALE 8:25



DETAIL B  
SCALE 8:25


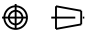
	ITEM: DRAWER		MATERIAL:	
	FINISH:		WEIGHT: 9	
PROPRIETARY AND CONFIDENTIAL THE INFORMATION CONTAINED IN THIS DRAWING IS THE SOLE PROPERTY OF HARDWARE RESOURCES INC. ANY REPRODUCTION IN PART OR AS A WHOLE WITHOUT THE WRITTEN PERMISSION OF HARDWARE RESOURCES INC. IS PROHIBITED.	DO NOT SCALE DRAWING		PROJECTION:	
	UNIT:	DRAWN BY: alan.liu	DATE:	
	SIZE:	CHECKED BY:	DATE:	
PAGE 08		APPROVED BY:	DATE:	

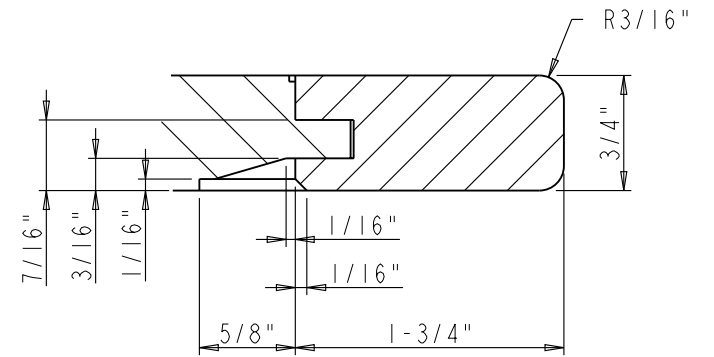
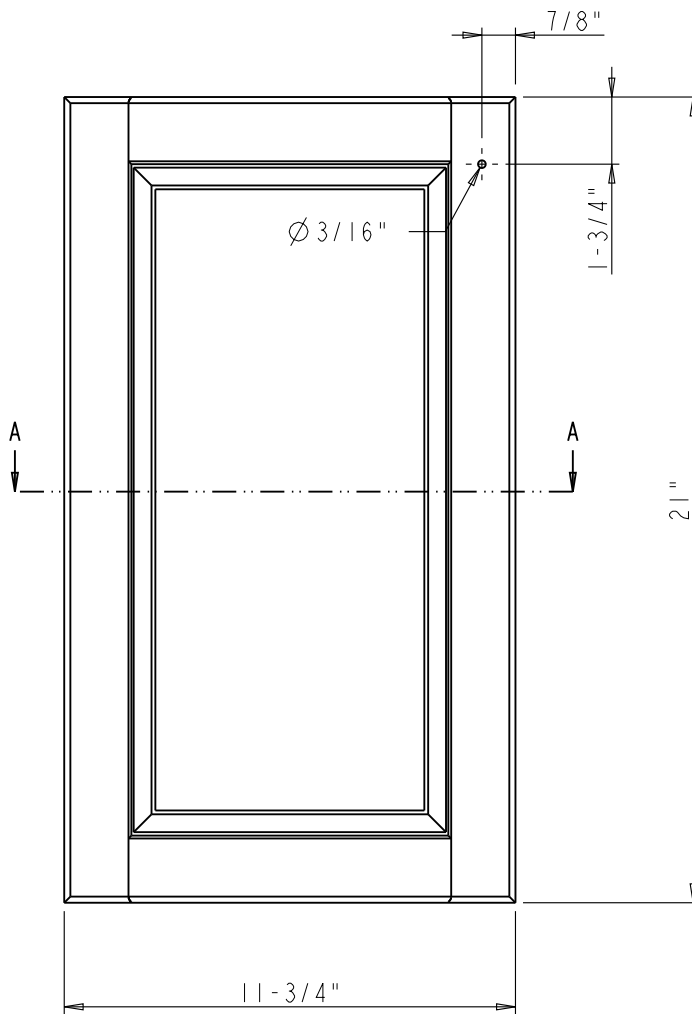




Specification:

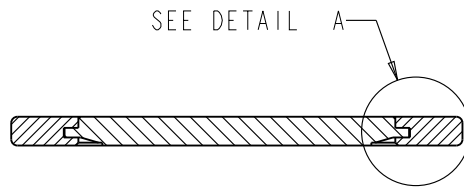
1. Material: MDF and Birch
2. Finish: French White, Aged Black
3. Door-Right is the mirrored part of Door-Left

 <b>hardware resources</b>	ITEM#: DOOR-LEFT		MATERIAL:	
	FINISH:		WEIGHT: 9	
<u>PROPRIETARY AND CONFIDENTIAL</u> THE INFORMATION CONTAINED IN THIS DRAWING IS THE SOLE PROPERTY OF HARDWARE RESOURCES INC. ANY REPRODUCTION IN PART OR AS A WHOLE WITHOUT THE WRITTEN PERMISSION OF HARDWARE RESOURCES INC. IS PROHIBITED	DO NOT SCALE DRAWING		PROJECTION: 	
	UNIT:	DRAWN BY: <i>alan.liu</i>	CHECKED BY:	DATE:
	SIZE:	APPROVED BY:		DATE:
PAGE 09				



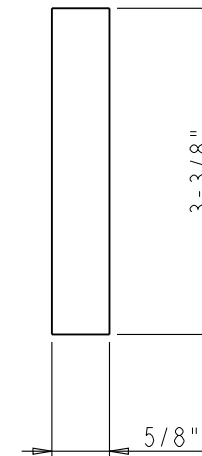
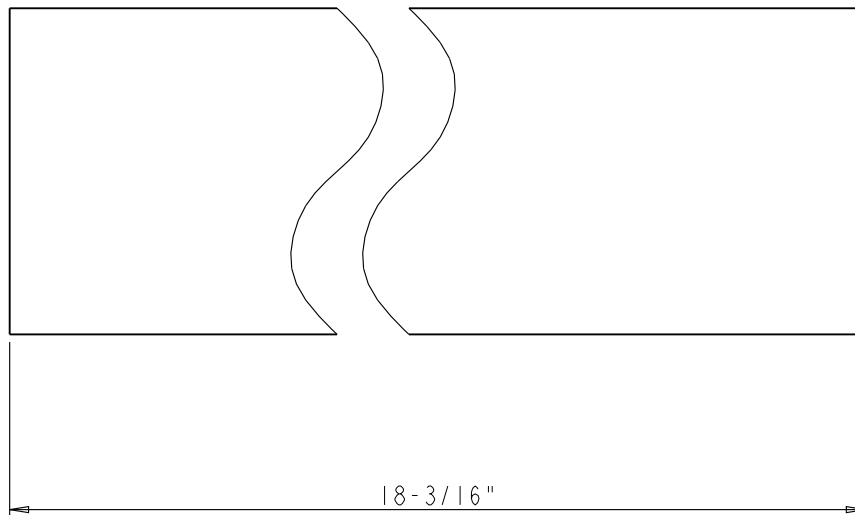
DETAIL A  
SCALE 4:5

SEE DETAIL A

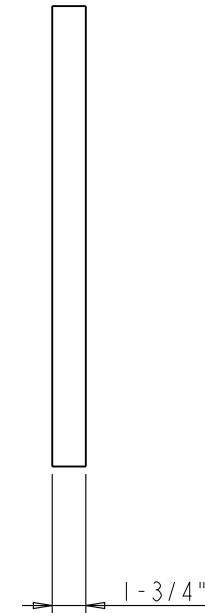


SECTION A-A

	ITEM: DOOR-LEFT		MATERIAL:	
	FINISH:		WEIGHT: 9	
PROPRIETARY AND CONFIDENTIAL THE INFORMATION CONTAINED IN THIS DRAWING IS THE SOLE PROPERTY OF HARDWARE RESOURCES INC. ANY REPRODUCTION IN PART OR AS A WHOLE WITHOUT THE WRITTEN PERMISSION OF HARDWARE RESOURCES INC. IS PROHIBITED.	PROJECTION:		DATE:	
	UNIT:	DRAWN BY: alan.liu	DATE:	
	DO NOT SCALE DRAWING	CHECKED BY:	DATE:	
PAGE 10	APPROVED BY:	DATE:		


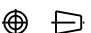


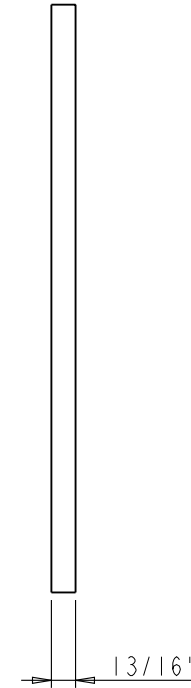
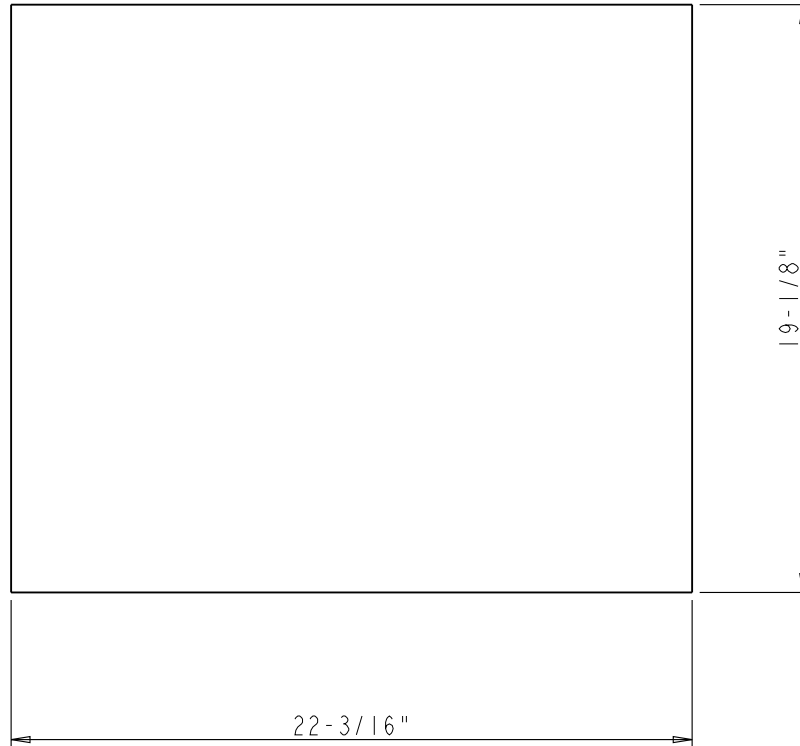
	ITEM#: ADJUSTABLE-SHELF		MATERIAL:	
	FINISH:		WEIGHT: 9	
PROPRIETARY AND CONFIDENTIAL THE INFORMATION CONTAINED IN THIS DRAWING IS THE SOLE PROPERTY OF HARDWARE RESOURCES INC. ANY REPRODUCTION IN PART OR AS A WHOLE WITHOUT THE WRITTEN PERMISSION OF HARDWARE RESOURCES INC. IS PROHIBITED	PROJECTION:		DATE:	
	DO NOT SCALE DRAWING	UNIT:	DRAWN BY: <i>alan.liu</i>	DATE:
		SIZE:	CHECKED BY:	DATE:
PAGE 11		APPROVED BY:	DATE:	



Specification:

1. Material: Hard maple edge grain butcher block

	ITEM#: TOP-BOARD-A2		MATERIAL:		
	FINISH:		WEIGHT: 9		
<p><b>PROPRIETARY AND CONFIDENTIAL</b></p> <p>THE INFORMATION CONTAINED IN THIS DRAWING IS THE SOLE PROPERTY OF HARDWARE RESOURCES INC. ANY REPRODUCTION IN PART OR AS A WHOLE WITHOUT THE WRITTEN PERMISSION OF HARDWARE RESOURCES INC. IS PROHIBITED</p>	PROJECTION: 		DATE:		
	DO NOT SCALE DRAWING	UNIT:	DRAWN BY: <i>alan.liu</i>	DATE:	
		SIZE:	CHECKED BY:	DATE:	
		PAGE 12	APPROVED BY:	DATE:	



	ITEM#: SHELF-MID		MATERIAL:	
	FINISH:		WEIGHT: 9	
<b>PROPRIETARY AND CONFIDENTIAL</b> THE INFORMATION CONTAINED IN THIS DRAWING IS THE SOLE PROPERTY OF HARDWARE RESOURCES INC. ANY REPRODUCTION IN PART OR AS A WHOLE WITHOUT THE WRITTEN PERMISSION OF HARDWARE RESOURCES INC. IS PROHIBITED.	DO NOT SCALE DRAWING		PROJECTION:	
	UNIT:	DRAWN BY: <i>alan.liu</i>	DATE:	
	SIZE:	CHECKED BY:	DATE:	
	PAGE 13	APPROVED BY:	DATE:	