

MODEL: 60502

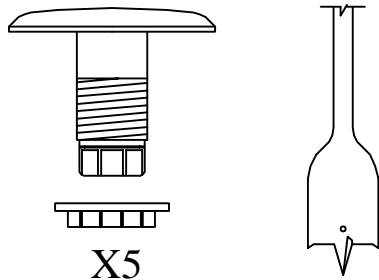
ASSEMBLY INSTRUCTIONS

READ AND SAVE THESE INSTRUCTIONS

Assembly Time: 10 Minutes.

UNPACK YOUR SOLAR LIGHTS

You should have received the following parts:
(5) solar deck/path lights and a spade bit.

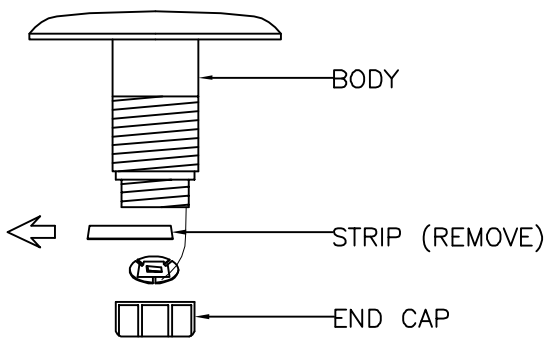


TOOLS

A drill will be required for deck or hard surface installation.

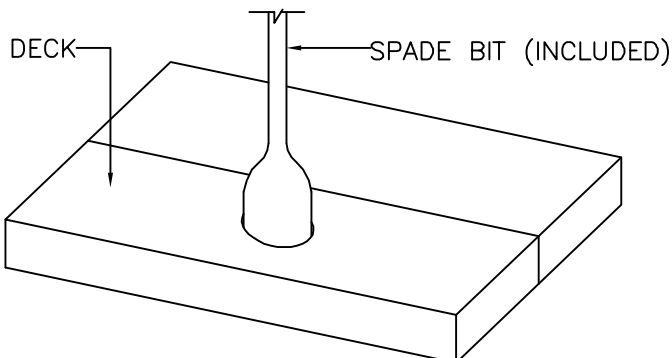
ACTIVATING THE BATTERY

Unscrew the end cap from the body, remove the protective strip, then reassemble the end cap to the body.

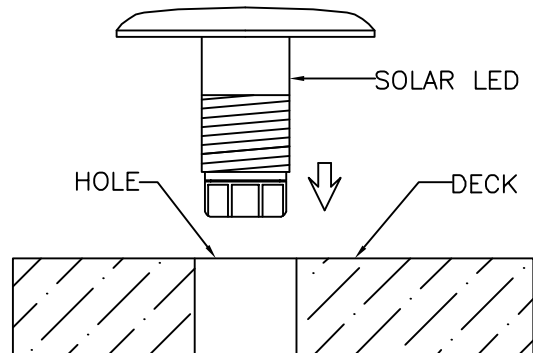


DECK INSTALLATION

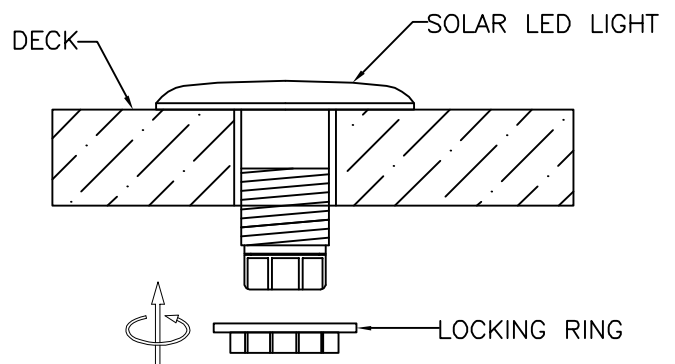
1.) Using your drill with the included spade bit, carefully drill through your deck.



2.) Place the Solar LED into the hole.



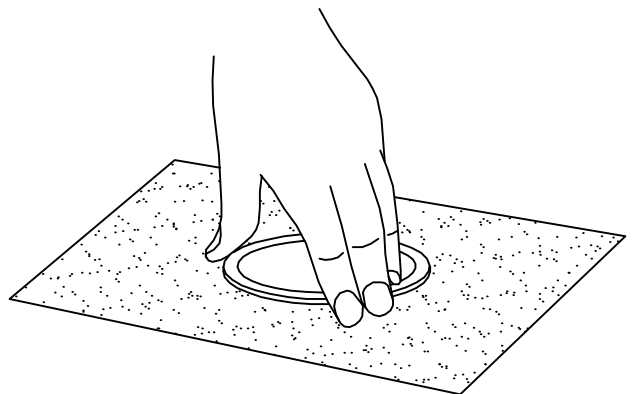
3.) Secure the Solar LED Light to the deck using the locking ring.



GROUND INSTALLATION

Bury the Solar LED light body in grass, mulch, or gravel.

TIP: Use your drill and the included spade bit for greater precision.



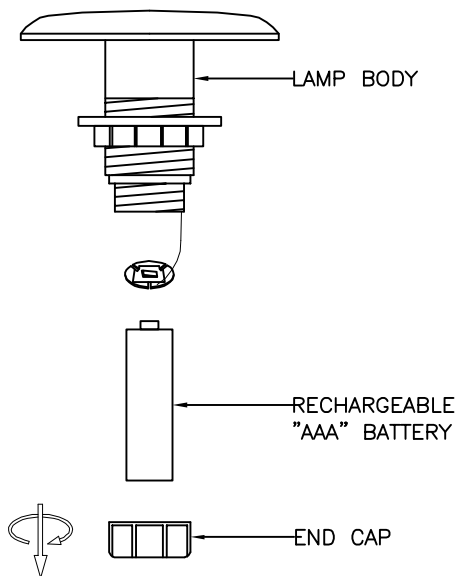
MODEL: 60502

ASSEMBLY INSTRUCTIONS

READ AND SAVE THESE INSTRUCTIONS

BATTERY REPLACEMENT:

1.) Unscrew the end cap from the lamp body and then replace the old battery with a new rechargeable "AAA" battery.



2.) Screw end cap back on lamp body to activate.

