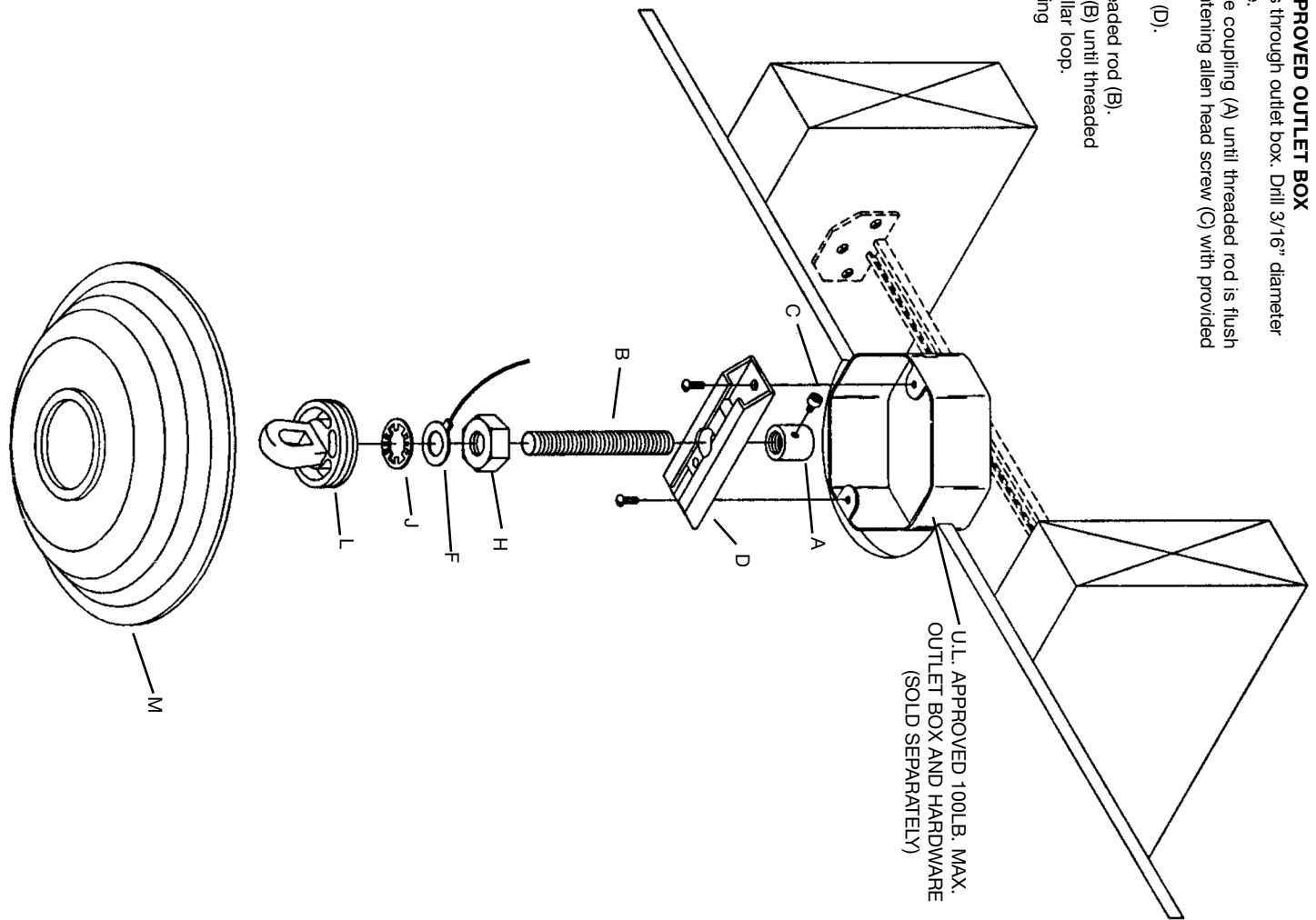


3

NOTE: NEC CODE (314.24) requires that ceiling outlet boxes in the United States support up to 50 lbs. This fixture exceeds 50 lbs. and must be installed using an outlet box approved for up to 100 lbs. or independently of the existing outlet box. Installation hardware and instructions are provided for both.

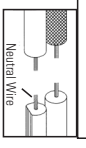
MOUNTING TO A 100 lb. MAX. APPROVED OUTLET BOX

- 1) Support cable from fixture (see sec. 3) must pass through outlet box. Drill 3/16" diameter hole in outlet box if no other holes are available.
- 2) Screw threaded rod (B) from parts bag into pipe coupling (A) until threaded rod is flush with top of pipe coupling. Secure in place by tightening allen head screw (C) with provided wrench.
- 3) Pass threaded pipe (B) through mounting strap (D).
- 4) Screw hexnut (H) onto threaded rod (B).
- 5) Slip ground lug (F) and lockwasher (J) onto threaded rod (B).
- 6) Thread screw collar loop (L) onto threaded rod (B) until threaded rod is flush with hole on lower side of screw collar loop.
- 7) Secure screw collar loop (L) in place by tightening hexnut (H) down against grounding (F), lockwasher (J) and screw collar loop.
- 8) Assemble mounting strap (D) and assembled parts to outlet box using screws provided with outlet box.
- 9) Trial fit canopy (M) over screw collar loop. Approximately one half of the screw collar loop exterior threads should be exposed below canopy. To increase length of assembly loosen hexnut (H) and unscrew screw collar loop no more than two complete turns. To shorten, loosen allen head screw (C). Screw threaded pipe into coupling until desired height is met. After desired position is found, remove canopy and tighten allen head screw (C) and anti-rotational screw located next to center hole inside mounting strap (D).
- 10)

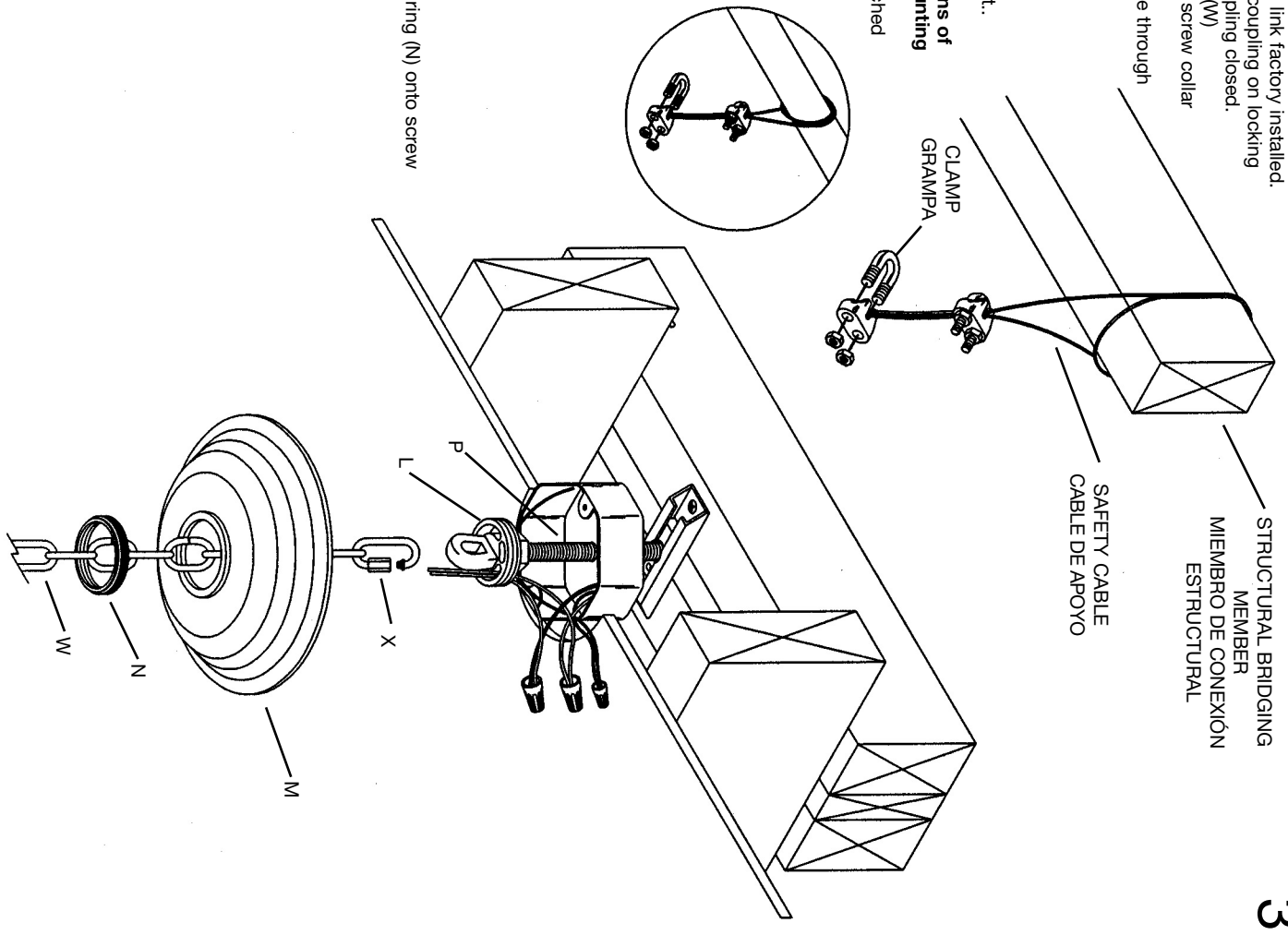


- 1) Turn off power.
- 2) Attach chain to fixture. Fixture loop has one chain link factory installed. Chain has one locking link at each end. Unscrew coupling on locking link and slip over link attached to loop. Screw coupling closed.
- 3) Slip threaded ring (N) then canopy (M) onto chain (W)
- 4) Attach chain (with fixture connected) to bottom of screw collar loop following the same procedure as in step 1.
- 5) Weave electrical wire, ground wire and safety cable through chain links no more than 3 inches apart.
- 6) Pass electrical wire ground wire and safety cable through threaded ring (N), canopy (M), one of the slots in screw collar loop (L) and into outlet box.
- 7) Pass safety cable through hole (See sec. 1) In area above outlet box wrap cable around one of the 2 x 4's erected in section 1 and pull cable taut..
- 8) Secure cable with (2) clamps provided.
- 9) **NOTE: Cable is not to be used as the only means of fixture support. Please follow independent mounting instructions completely.**
- 10) Connect fixture ground wire and ground wire attached to threaded rod (B or P) to outlet box ground. Never connect ground wire to black or white power supply wires.
- 11) Make wire connections (connectors not provided). Reference chart below for correct connections and wire accordingly.

Connect Black or Red Supply Wire to:	Connect White Supply Wire to:
Black	White
*Parallel cord (round & smooth)	*Parallel cord (square & ridged)
Clear, Brown, Gold or Black without tracer	Clear, Brown, Gold or Black with tracer
Insulated wire (other than green) with copper conductor	Insulated wire (other than green) with silver conductor



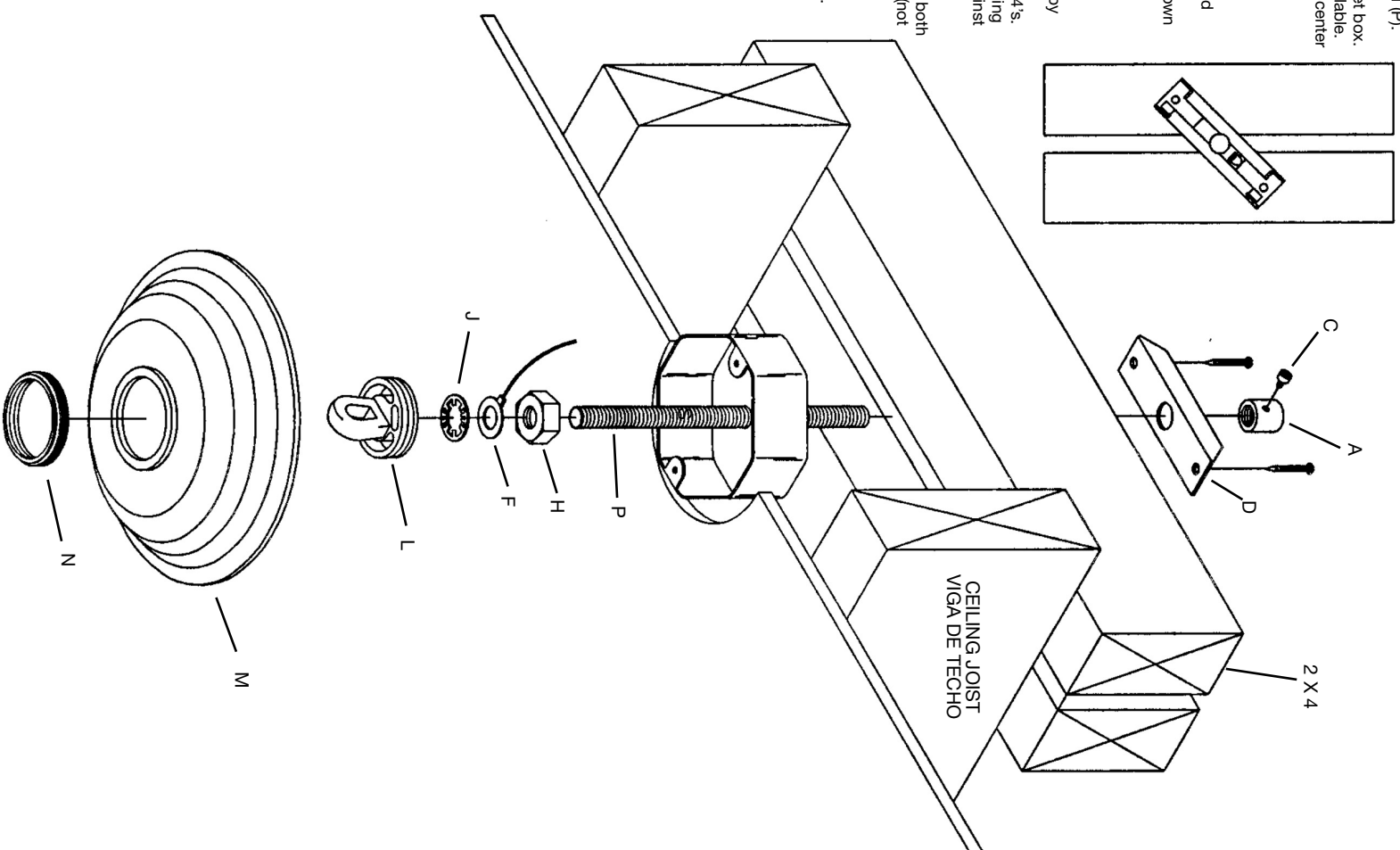
- 12) Raise canopy (M) to ceiling.
- 13) Secure canopy (M) in place by screwing threaded ring (N) onto screw collar loop (L)



MEANS OF SUPPORT MUST BE ERECTED ABOVE OUTLET BOX. BELOW IS ONE SUGGESTED METHOD.

- 1) Screw threaded rod (P) from parts bag into pipe coupling (A) until threaded pipe is flush with top of pipe coupling. Secure in place by tightening allen head screw (C) with provided wrench.
- 2) Slip mounting strap (D) over provided 1/2-13UNC threaded rod (P).
- 3) Remove knockout in top of outlet box.
- 4) Support cable from fixture (see sec. 3) must pass through outlet box. Drill 3/16" diameter hole in outlet box if no other holes are available.
- 5) In area above outlet box pass threaded rod (P) through hole in center of outlet box.
- 6) Lay a 2x4 across ceiling joist on either side of threaded rod (P).
- 7) Secure 2x4's in place by toe-nailing or other means.
- 8) Screw hexnut (H) onto threaded rod (P).
- 9) Slip ground lug (F) and lockwasher (J) onto threaded rod (P).
- 10) Thread screw collar loop (L) onto threaded rod (P) until threaded pipe is flush with hole on lower side of screw collar loop.
- 11) Secure screw collar loop (L) in place by tightening hexnut (H) down against ground lug (F), lockwasher (J) and screw collar loop.
- 12) Temporarily slip canopy (M) over screw collar loop (L). Approximately one half of the screw collar loop exterior threads should be exposed below canopy.
- 13) Temporarily screw threaded ring (N) onto screw collar loop (L).
- 14) In area above outlet box pull up on threaded rod (P) until canopy is snug against ceiling.
- 15) Slide mounting strap (D) down threaded rod (P) and against 2x4's.
- 16) Screw pipe coupling (A) down threaded rod (P) until pipe coupling is snug against mounting strap (D) and canopy (M) is snug against ceiling.
- 17) Tighten allen head screw (C).
- 18) Secure mounting strap (D) in place by laying diagonally across both 2x4's and driving two #10 x 1" sheet metal or equivalent screws (not provided) through holes at ends of mounting strap. Tighten anti-rotational hex screw located next to center hole inside mounting strap (D) with provided allen wrench.

NOTE: Mounting strap (D) must be secured to prevent rotation.



- 1) Attach top of each rod to each chain from canopy.
- For ease in assembly, proceed to section 3. Remaining steps in fixture assembly can be completed easier with fixture hanging.**

- 2) Set glass over socket and clip, so that clip is inside glass.

