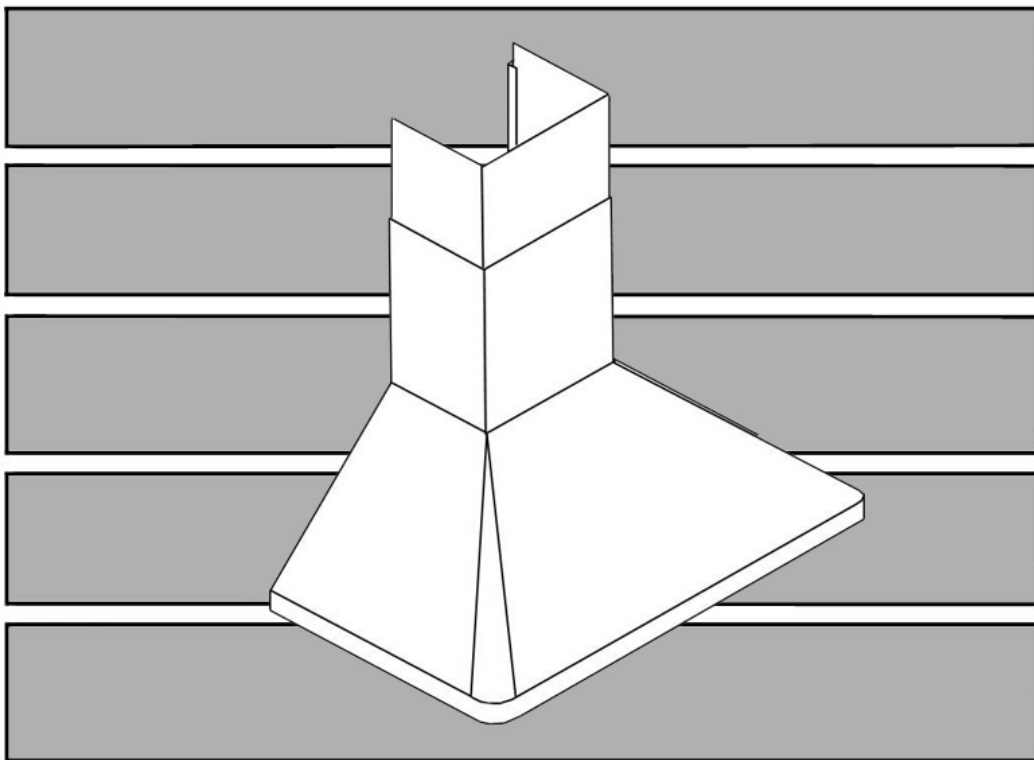


# KOBE® KOBE Range Hoods

Model No. / N<sup>os</sup> de modèles / Modelo No.

**RAX9430SF**

**RAX9436SF**



INSTALLATION INSTRUCTIONS  
AND OPERATION MANUAL

MANUEL D'INSTALLATION  
ET MODE D'EMPLOI

INSTRUCCIONES DE INSTALACIÓN  
Y MANUAL DE OPERACIÓN

**[ENGLISH].....1**

**[FRENCH].....20**

**[SPANISH].....40**

# [ENGLISH]

- READ AND SAVE THESE INSTRUCTIONS -

## CONTENTS

IMPORTANT SAFETY INSTRUCTIONS.....	1
COMPONENTS OF PACKAGE.....	3
INSTALLATION .....	4
OPERATION INSTRUCTIONS.....	8
MAINTENANCE .....	9
SPECIFICATIONS.....	10
MEASUREMENTS & DIAGRAMS.....	11
PARTS LIST .....	12
CIRCUIT DIAGRAM .....	14
TROUBLE SHOOTING .....	15
DISCLAIMER .....	16
WARRANTY .....	17
PRODUCT REGISTRATION .....	19

- READ ALL INSTRUCTIONS CAREFULLY BEFORE STARTING -

ALL WIRING MUST BE DONE BY A PROFESSIONAL AND IN ACCORDANCE WITH NATIONAL AND LOCAL ELECTRICAL CODES



## IMPORTANT SAFETY INSTRUCTIONS

- PLEASE READ THIS SECTION CAREFULLY BEFORE INSTALLATION -

**⚠WARNING:** TO REDUCE THE RISK OF FIRE, ELECTRIC SHOCK OR PERSONAL INJURY, OBSERVE THE FOLLOWING:

- 1) Installation and electrical wiring must be done by qualified professionals and in accordance with all applicable codes and standards, including fire-rated construction.
- 2) When cutting or drilling into wall or ceiling, be careful not to damage electrical wiring or other hidden utilities.
- 3) Ducted fans must be vented to the outside.
  - a) Before servicing or cleaning unit, open the light panel and SWITCH POWER OFF AT SERVICE PANEL.
  - b) Clean all grease laden surfaces frequently. To reduce the risk of fire and to disperse air properly, make sure to vent air outside. DO NOT vent exhaust air into wall spaces, attics, crawl spaces or garages.

NOTE - This warranty is invalid without an authorized agent's receipt or if unit is damaged due to misuse, poor installation, improper use, mistreatment, negligence or any other circumstances beyond the control of EPC Trading Inc.

- EPC Trading Inc. will not be held responsible for any damages to personal property or real estate or any bodily injuries whether caused directly or indirectly by the range hood.

**⚠WARNING:** TO REDUCE THE RISK OF PERSONAL INJURY IN THE EVENT OF A RANGE TOP GREASE FIRE:

- Keep all fan, baffle/spacer/filter/oil tunnel/oil container and grease-laden surfaces clean. Grease should not be allowed to accumulate on fan, baffle/spacer/filter/oil tunnel/oil container.
- Always turn hood ON when cooking.
- Use high settings on cooking range ONLY when necessary.
- Do not leave cooking range unattended when cooking.
- Always use cookware and utensils appropriate for the type and amount of food prepared.
- Use this unit only in the manner intended by the manufacturer.
- Before servicing, switch power off at service panel and lock service panel (if possible) to prevent power from switching on accidentally.
- Clean ventilating fan frequently.

### What to Do In The Event Of a Range Top Grease Fire

- SMOTHER FLAMES with a tight fitting lid, cookie sheet, or metal tray, and then turn off the burner. KEEP FLAMMABLE OR COMBUSTIBLE MATERIAL AWAY FROM FLAMES. If the flames do not go out immediately, EVACUATE THE AREA AND CALL THE FIRE DEPARTMENT or 911.
- NEVER PICK UP A BURNING PAN – You May Get Burned.
- DO NOT USE WATER, including wet dishcloths or towels – a violent steam blast will result.
- Use an extinguisher ONLY if:
  - a) You have a Class A, B, C extinguisher and know how to operate it.
  - b) The fire is small and contained in the area where it started.
  - c) The fire department has been called.
  - d) You can fight the fire with your back to an exit.

### What to Do If You Smell Gas

- Extinguish any open flame.
- Do not try to turn on the lights or any type of appliance.
- Open all doors and windows to disperse the gas. If you still smell gas, call the Gas Company and Fire Department right away.

## **⚠ CAUTION**

- 1) For general ventilation use only. Do not use to exhaust hazardous or explosive materials and vapors.
- 2) To reduce the risk of fire, use only metal ductwork. Sufficient air is needed for proper combustion and exhausting of gases through the flue (chimney) to prevent back drafting.
- 3) Follow the heating equipment manufacturer's guideline and safety standards such as those published by the National Fire Protection Association (NFPA), and the American Society for Heating, Refrigeration and Air Conditioning Engineers (ASHRAE), and code authorities.
- 4) Activating any switch on may cause ignition or an explosion.
- 5) Due to the size and weight of this hood, two people installation is recommended.

### **⚠ WARNING**



**ELECTRICAL SHOCK HAZARD – Can result in serious injury or death. Disconnect appliance from electric power before servicing. If equipped, the fluorescent light bulb contains small amounts of mercury, which must be recycled or disposed of according to Local, State, and Federal Codes.**

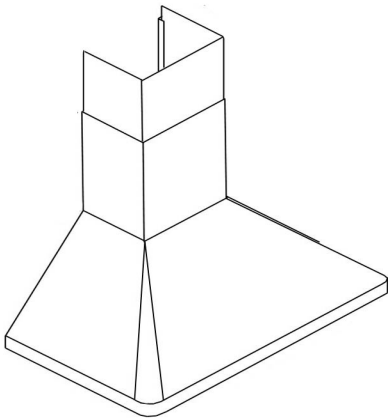
# COMPONENTS OF PACKAGE

(Must keep all material for returns or refunds)

## Range Hood Box

- {A} Brillia Range Hood – 1
- {B} Warranty Registration Card – 1
- {C} Instructions Manual – 1
- {D} Hood-Mounting Bracket – 2
- {E} Screws Package – 1
- {F} Aluminum Filters - 2 (30")  
- 3 (36")

{A}



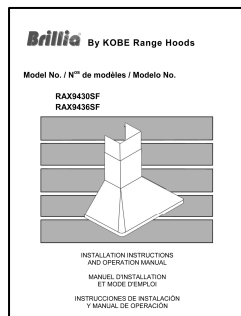
{F}



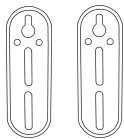
{B}

WARRANTY REGISTRATION CARD			
PLEASE CHECK: <input type="checkbox"/> R1	<input type="checkbox"/> R2	<input type="checkbox"/> R3	<input type="checkbox"/> R4
FIRST NAME: _____	LAST NAME: _____	DATE OF PURCHASE: _____	INSTALLATION DATE: _____
ADDRESS: _____	CITY: _____	STATE: _____	ZIP: _____
TELEPHONE: _____	EMAIL: _____	MODEL NO.: _____	SERIAL NO.: _____
<p><b>Brillia</b> By KOBE RANGE HOODS</p> <p>THIS APPLIANCE HAS BEEN MANUFACTURED, TESTED AND INSPECTED TO THE STANDARDS REQUIRED BY KOBE RANGE HOODS.</p>			
LEAK TEST	PERFORMANCE TEST	FINAL INSPECTION	

{C}



{D}



{E}



M 4 x 8 mm (6 pcs)

- FOR MORE INFORMATION, PLEASE CONTACT BRILLIA BY KOBE AT (626) 775-6388.

# INSTALLATION

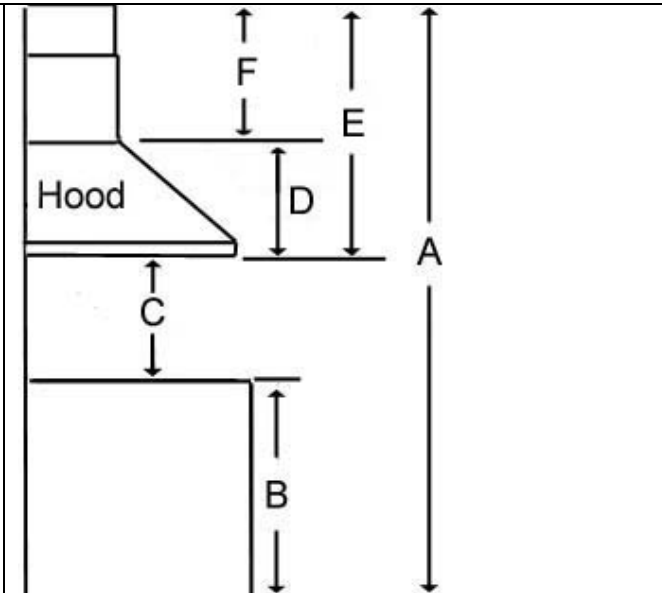
PLEASE READ ENTIRE INSTRUCTIONS BEFORE PROCEEDING

## Calculation before Installation

To calculate installation, please refer to TABLE 1. (All calculation in inches)

**TABLE 1**

A = Height of Floor to Ceiling  
B = Height of Floor to Counter Top  
(Standard: 36")  
C = Preferred Height of Counter Top to  
Hood Bottom (Recommended 27" to 30")  
D = Height of Hood  
E = Height of the Hood Installation  
[A - (B+C)]  
F = Height of Duct Cover  
[E - D]



## **⚠ SAFETY WARNING**

**HOOD MAY HAVE VERY SHARP EDGES; PLEASE WEAR PROTECTIVE GLOVES IF REMOVING ANY PARTS FOR INSTALLING, CLEANING OR SERVICING.**

**NOTE: BE CAREFUL WHEN USING ELECTRICAL SCREWDRIVER, DAMAGE TO THE HOOD MAY OCCUR.**

## Preparation before Installation

NOTE: TO AVOID DAMAGE TO YOUR HOOD, PREVENT DEBRIS FROM ENTERING THE VENT OPENING.

- Decide the location of the venting pipe from the hood to the outside. (Figure 1)
- A straight, short venting run will allow the hood to perform more efficiently.
- Try to avoid as many transitions, elbows, and long run as possible. This may reduce the performance of the hood.
- Temporarily wire the hood to test for proper operation before installing.
- Important: Peel any protective film off the hood.
- Use duct tape to seal the joints between pipe sections.
- If necessary, prepare back wall frame with cross framing lumber for secure installation. Refer to Table 1 and measurements on Page 11 to decide the level of the lumber. (Figure 2)
- Loosen hood-mounting brackets at the back of the hood, adjust brackets and tighten screws as shown in Figure 3.
- If necessary, remove the rubber stand on the back of the hood and discard. (Figure 4)

## Hood Installation

**⚠ CAUTION:** If required to move the cooking range to install the hood, turn off the power on an electric range at the main electrical box. **SHUT OFF THE GAS BEFORE MOVING A GAS RANGE.**

1. Using references in Table 1 and measurements on Page 11, mark the leveling locations point for hood-mounting bracket on the wall.
2. Secure two mounting screws (not provided) to the wall, leaving an 1/8" space from the wall. (Figure 5)
3. Align the hood-mounting bracket to the mounting screws on the wall and hang hood into place.

Figure 1

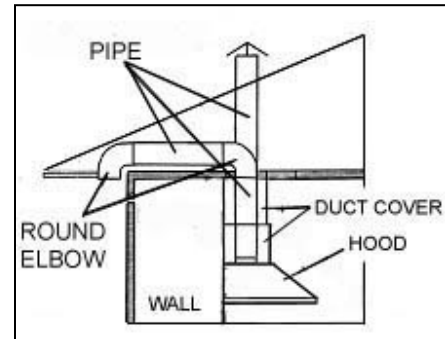


Figure 2

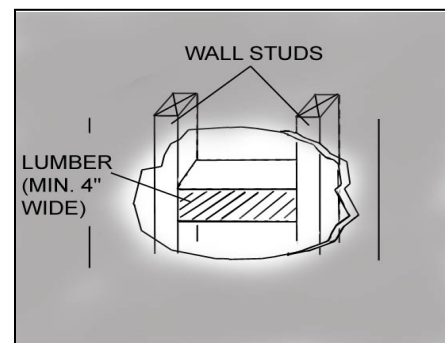


Figure 3

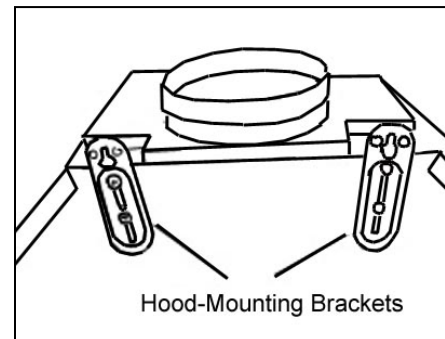
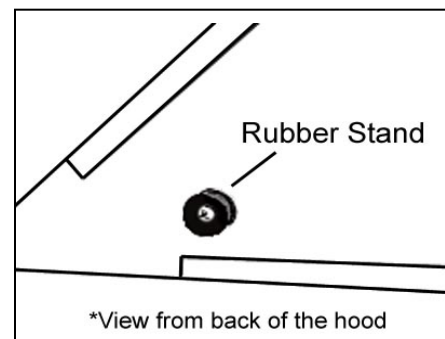


Figure 4





- Secure and tighten the mounting screws.  
**CAUTION: MAKE SURE THE HOOD IS SECURE BEFORE RELEASING.**

### Ductwork Installation

- Using Reference E from Table 1 and measurements on Page 11, mark the leveling point for duct cover-mounting bracket.
- Secure the duct cover-mounting bracket to the wall with two screws (not provided). (Figure 6) Make sure all screws are tightened. NOTE: Inner duct cover will cover the duct cover-mounting bracket.
- Use aluminum or steel pipe (not provided) to connect the plastic exhaust on the hood to the ductwork above. Use duct tape to ensure all joints are secure and air tight as shown in Figure 7.

### Wiring to Power Supply

#### **SAFETY WARNING**

**RISK OF ELECTRICAL SHOCK. THIS RANGE HOOD MUST BE PROPERLY GROUNDED. MAKE SURE THIS IS DONE BY A SPECIALIZED ELECTRICIAN IN ACCORDANCE WITH ALL APPLICABLE NATIONAL AND LOCAL ELECTRICAL CODES. BEFORE CONNECTING WIRES, SWITCH POWER OFF AT SERVICE PANEL AND LOCK SERVICE PANEL TO PREVENT POWER FROM BEING SWITCHED ON ACCIDENTALLY.**

- Connect three wires (black, white and green) to house wires and cap with wire connectors. Connect according to color: black to black, white to white, and green to green as shown in Figure 8
- Test the operation of the hood before performing the next step. Make sure power is supplied to the hood.

### Duct Cover Installation

- Slide inner duct cover up 2 inches before sliding entire duct cover onto the hood. (Figure 9)
- Align the inner duct cover to the duct cover-mounting bracket. Secure inner duct cover with two (4x8 mm) screws (provided).

Figure 5

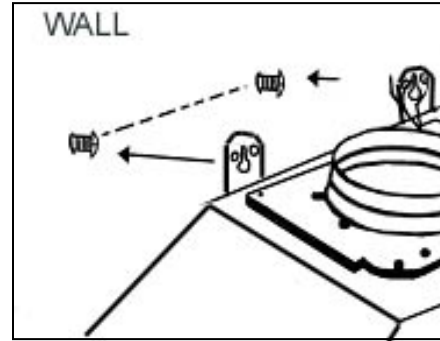


Figure 6

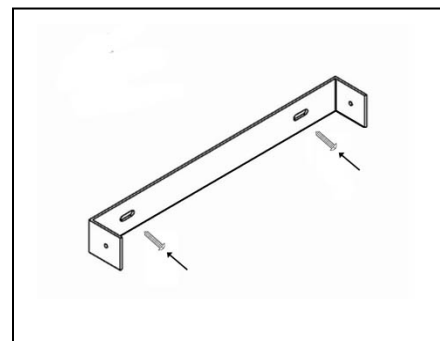


Figure 7

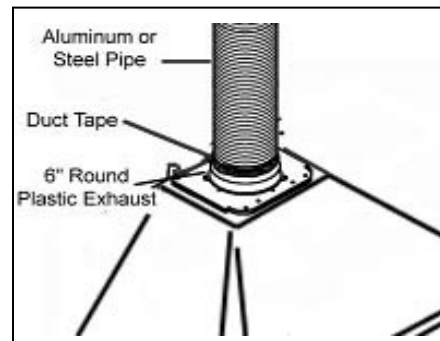
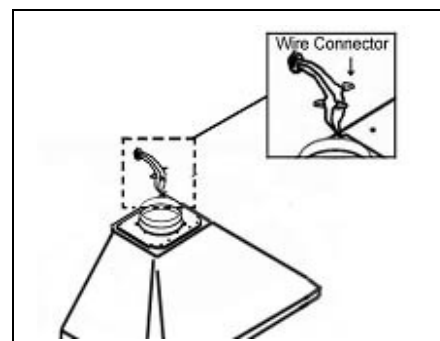


Figure 8



12. Fasten outer duct cover to plastic plate on the hood with four (4x8 mm) screws (provided).

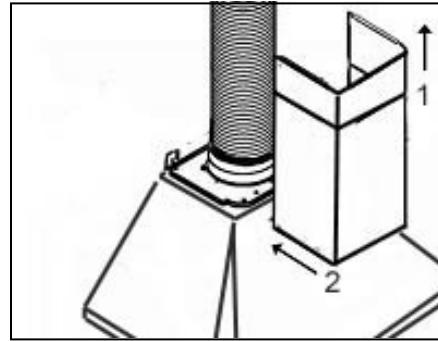
### Install Accessories

13. Place aluminum filters underneath the hood.

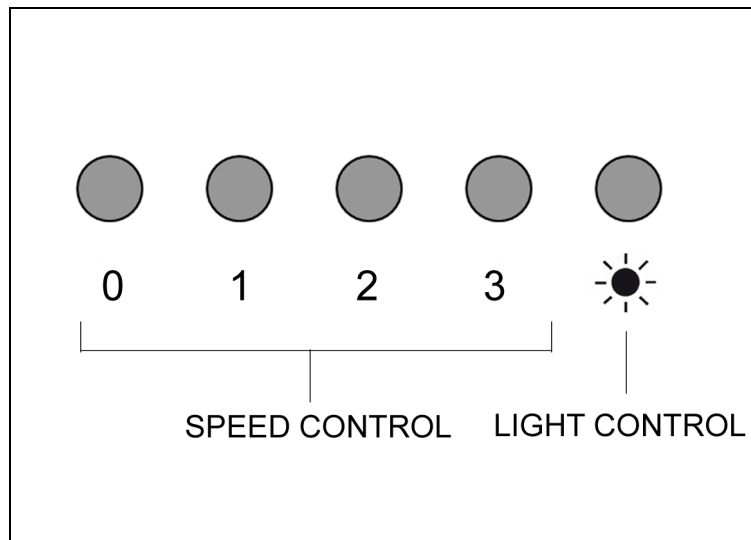
### Final Assembly

14. Turn power ON in control panel. Check all lights and fan operation.
15. Leave this Installation Instructions and Operation Manual for the homeowner.

Figure 9



## OPERATION INSTRUCTIONS



### To operate the fan function

- Press button to choose from speed.
  - 1 = Low speed
  - 2 = Medium speed
  - 3 = High speed
- Press "0" to turn fan off.

### To operate the light function

- Press the Light Control to turn lights on and off.

## MAINTENANCE

### SAFETY WARNING

NEVER PUT YOUR HAND INTO AREA HOUSING THE FAN WHILE THE FAN IS OPERATING.

#### Cleaning Hood Surface

 **CAUTION:** NEVER USE ABRASIVE CLEANERS, PADS, OR CLOTHS. DO NOT USE PAPER TOWEL ON STAINLESS STEEL.

For optimal operation, clean range hood and all baffle/spacer/filter/oil tunnel/oil container regularly.

\*\*\* Regular care will help preserve the appearance of the hood.

1. Use only mild soap or detergent solutions. Dry surfaces using soft cloth.
2. If hood looks splotchy (stainless steel hood), use a stainless steel cleaner to clean the surface of the hood. Avoid getting cleaning solution onto or into the control panel. Follow directions of the stainless steel cleaner. **Caution: Do not leave on too long as this may cause damage to hood finish.** Use soft towel to wipe off the cleaning solution, gently rub off any stubborn spots. Use dry soft towel to dry the hood.
3. DO NOT allow deposits to accumulate or remain on the hood.
4. DO NOT use ordinary steel wool or steel brushes. Small bits of steel may adhere to the surface and cause rusting.
5. DO NOT allow salt solutions, disinfectants, bleaches, or cleaning compounds to remain in contact with stainless steel for extended periods. Many of these compounds contain chemicals, which may be harmful. Rinse with water after exposure and wipe dry with a clean lint free cloth.

#### To Clean Aluminum Filters

1. Remove all the aluminum filters.
2. Wash with warm soapy water. Dry completely before returning into place.

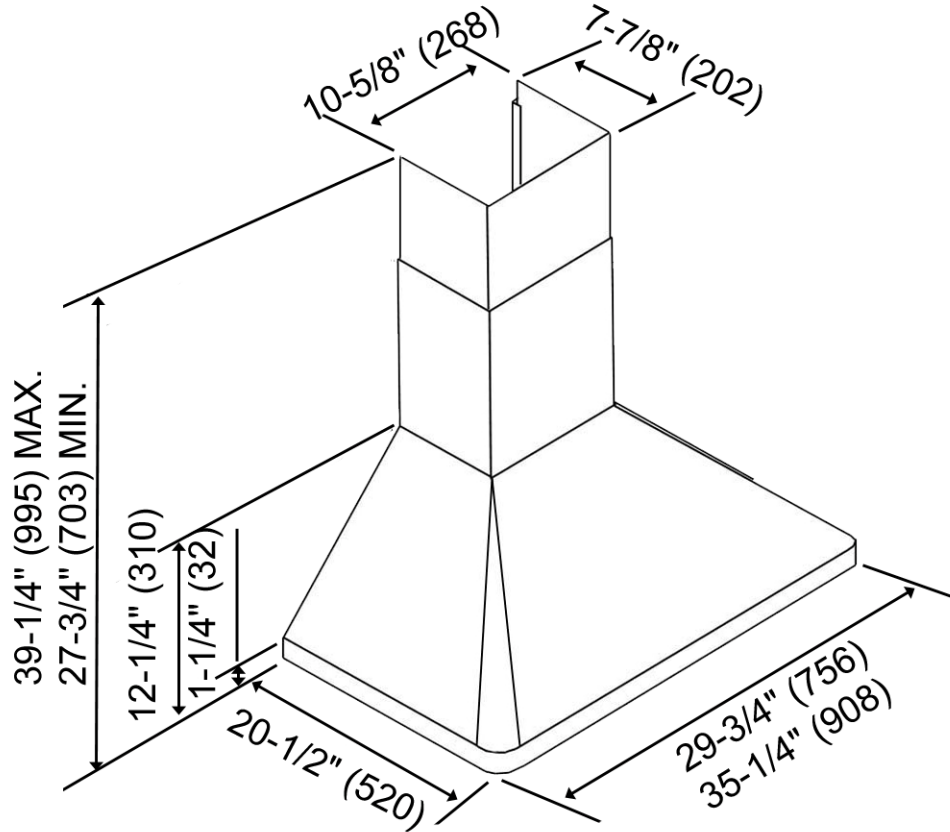
# SPECIFICATIONS

<b>MODEL / SIZE</b>	RAX9430SF / 30" RAX9436SF / 36"			
<b>COLOR</b>	Commercial Grade Stainless Steel			
<b>CONSUMPTION / AMPERE</b>	205 W / 1.77 A			
<b>VOLTAGE</b>	120V 60Hz			
<b>NUMBER OF MOTORS</b>	1			
<b>DESIGN</b>	18-Gauge Seamless / Satin Finish			
<b>FAN TYPE</b>	Double Horizontal Squirrel Cage			
<b>EXHAUST</b>	Top 6" Round			
<b>CONTROLS</b>	Mechanical Push Button			
<b>LIGHTS</b>	LED 3W x 2			
<b>HOOD DIMENSION (W x D x H)</b>	(RAX9430SF) 29-3/4" x 20-1/2" x 12-1/4" (RAX9436SF) 35-3/4" x 20-1/2" x 12-1/4"			
<b>OPTIONAL ACCESSORIES (W x D x H)</b>	<b>1) Model No. RA0930DC</b> 1-Piece Extension Duct Cover for 9'~10' Ceiling <b>2) Model No. RA0946DC</b> 1-Piece Extension Duct Cover for 10'~11' Ceiling <b>3) Model No. SSP30</b> 30" Stainless Steel Back Panel (30" x 1/10" x 32") <b>4) Model No. SSP36</b> 36" Stainless Steel Back Panel (36" x 1/10" x 32")			
<b>WEIGHT (lbs)</b>		Net	Gross	
	(RAX9430SF)	42.0	62.0	
	(RAX9436SF)	46.0	68.0	
<b>SPEED Air Capacity (cfm) Sone*</b>		Low	Medium	High
		280	400	600
		1.5	3.0	4.8

\*Specifications information is subject to change without notice.

## MEASUREMENTS & DIAGRAMS

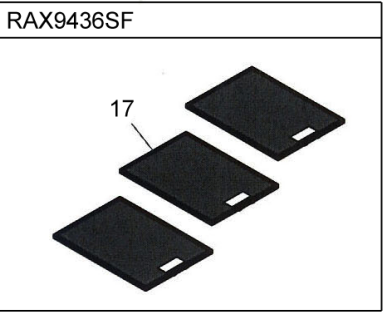
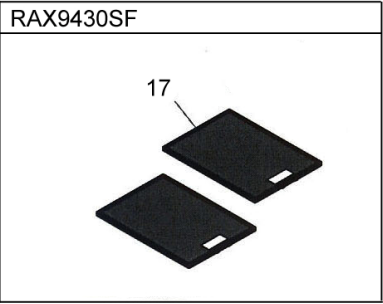
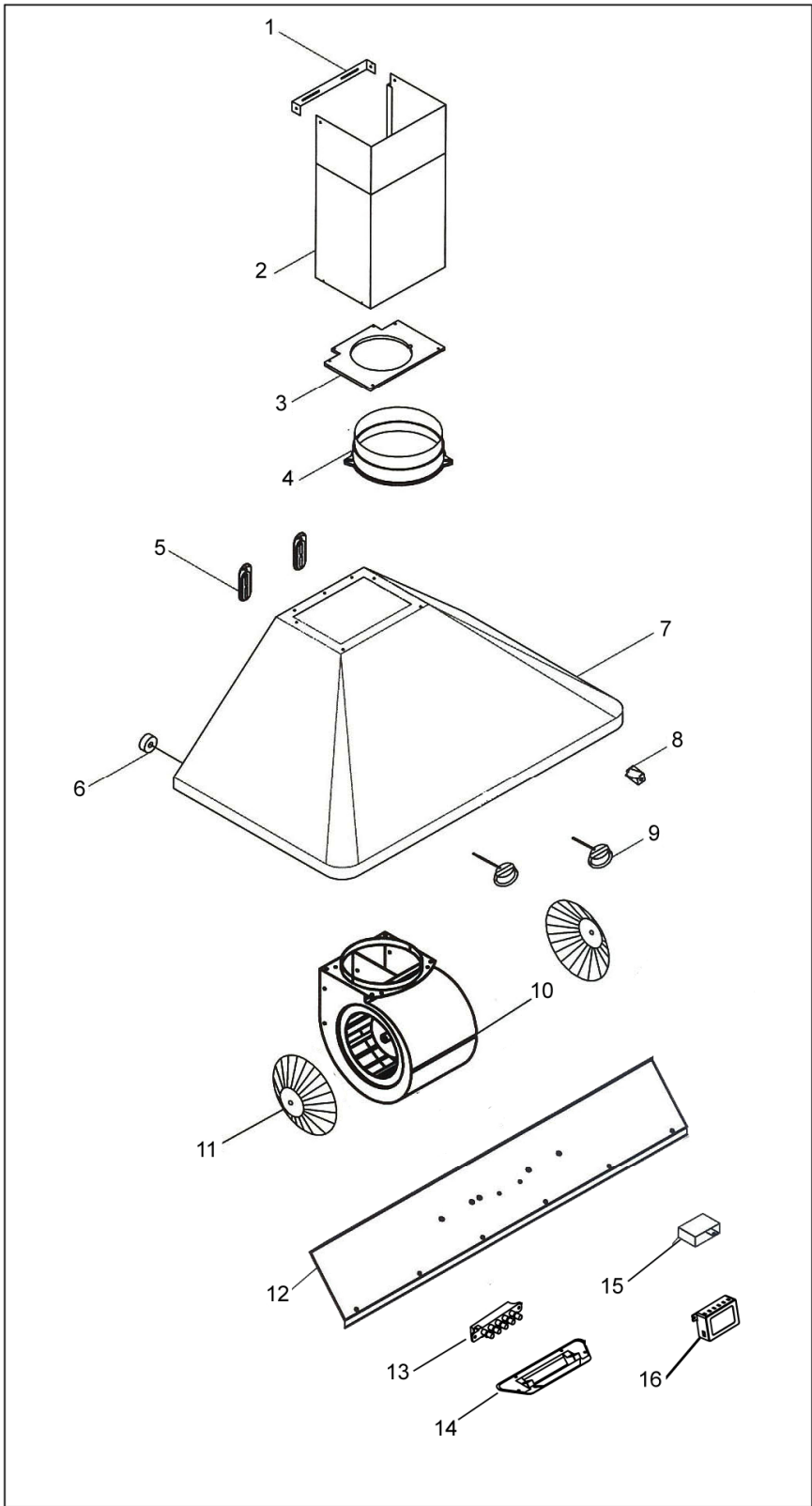
- ◆ All measurements in ( ) are millimeters.
- ◆ All inch measurements are converted from millimeters. Inch measurements are estimated.



# PARTS LIST

**MODEL NO.:**      **RAX9430SF**  
                              **RAX9436SF**

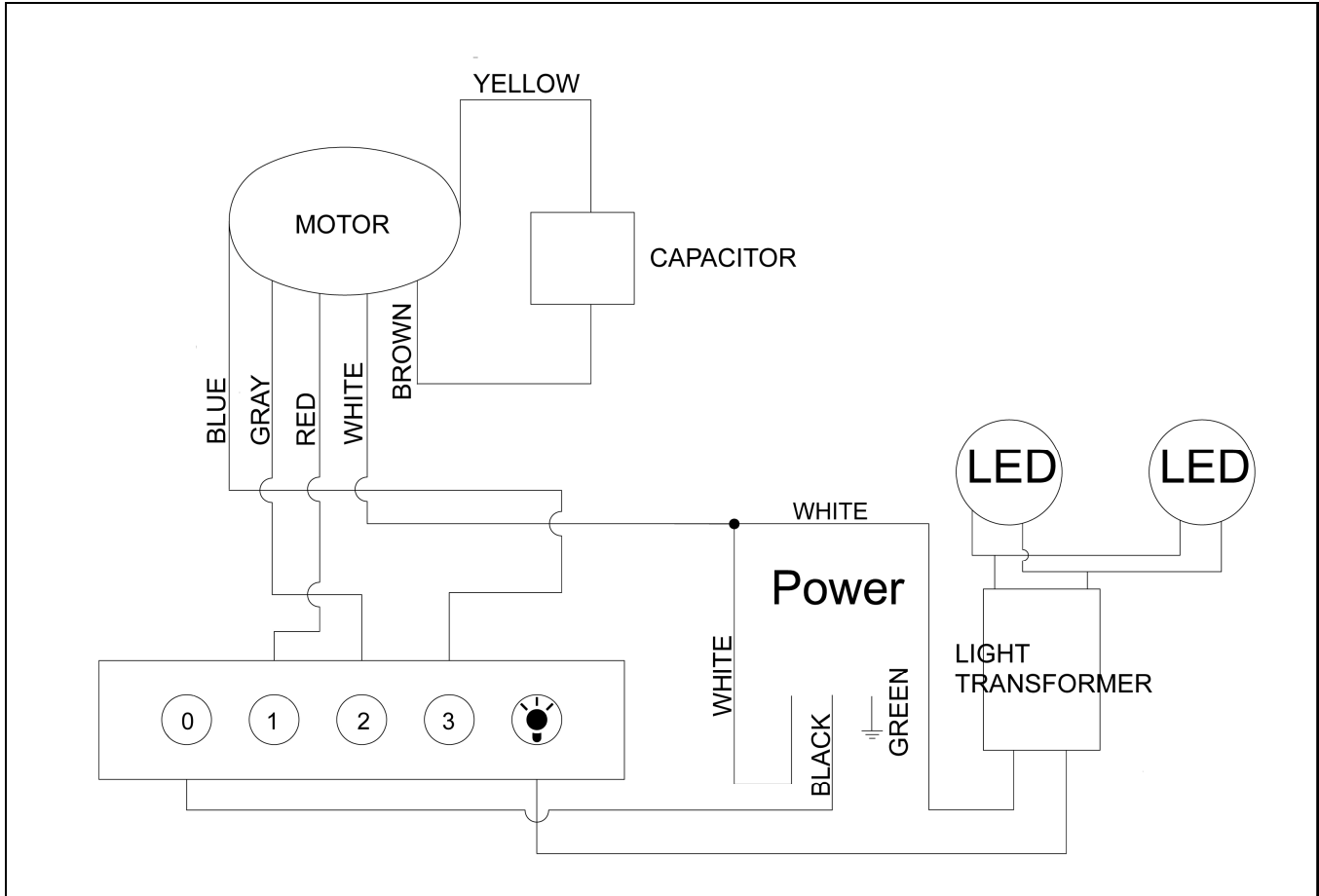
NO.	DESCRIPTION	MODEL /SIZE	PART NO.
1	Duct Cover-Mounting Bracket		C1-0203-0092
2	Duct Cover	RAX094DC	B102-0192
3	Plastic Plate		C1-0506-0092
4	6" round Plastic Exhaust		C1-0505-0001
5	Hood-Mounting Bracket		C1-0221-0001
6	Rubber Stand		C1-0510-0101
7	Hood Casing	RAX9430SF	BRRR-25300-A
		RAX9436SF	BRRR-25900-A
8	Wiring Box		C1-0231-2590
9	LED Light		C1-0403-0306
10	Air Chamber & Motor		BR-0302-A120-01
11	Safety Screen		C1-0602-0103
12	Electric Component Support	RAX9430SF	C1-0201-2530
		RAX9436SF	C1-0201-2590
13	Control Unit		C1-0405-0303
14	Control Unit Support		C1-0207-6200
15	Capacitor		C1-0401-A300-08
16	Light Transformer		C1-0402-D001
17	Aluminum Filter		C1-0604-0107





# CIRCUIT DIAGRAM

MODEL NO.: RAX9430SF  
RAX9436SF



## TROUBLE SHOOTING

<b>Issue</b>	<b>Possible Cause</b>	<b>Solution</b>
After Installation, both motors and lights are not working.	The power is not on.	Make sure the circuit breaker and the unit's power is ON. Use a voltage meter to check the power supply.
	The wire connection is not secure.	Check and tighten wire connection.
Lights are working, but motor(s) is not.	The motor(s) is defective.	Replace the motor.
	The capacitor(s) is defective.	Replace capacitor(s).
The range hood is vibrating.	The blower system is not secure.	Tighten the turbine impeller/squirrel cage and air chamber.
	The turbine impeller/squirrel cage is not balanced.	Replace the turbine impeller/squirrel cage.
	Hood is not secured in place.	Check the installation of hood, tighten the mounting bracket.
The motor is working, but the lights are not working.	Light Fixture(s) is defective.	Replace the Light Fixture(s).
	The light wiring(s) is loose.	Check wire continuity from processor board to light transformer to halogen light housing(s).
	Light transformer is defective.	Check power input and power output on the light transformer. If it's needed, replace the light transformer.
The range hood is not venting out correctly.	The range hood is installed outside of the manufacture recommended clearance.	Adjust the clearance between the range hoods and cook top to 27" to 30". For Island range hood, the clearance between the range hoods and cook top is 30" to 36".
	There is no make-up air inside the house.	Open the window to enhance the performance of the range hood by creating a sufficient make-up air.
	Obstacle blocking the pipe work.	Remove all obstacles from the duct work.
	The pipe size is smaller than the suggested pipe size.	Change the ducting according to the manufacture suggestion.
Cold air is coming into the home.	The pipe connection is not properly sealed.	Check the pipe installation.

## DISCLAIMER

1. **CAREFULLY INSPECT ALL ITEMS FOR DAMAGES BEFORE ACCEPTING DELIVERY. NOTE ANY DAMAGES ON THE FREIGHT BILL OR EXPRESS RECEIPT. REQUEST NAME AND SIGNATURE OF THE CARRIER'S AGENT AND KEEP COPY TO SUPPORT YOUR CLAIM.**

Upon acceptance of items, owner assumes responsibility for its safe arrival. Report damages to the carrier and file a claim immediately. Failure to do so may result in the denial of your claim. The carrier will furnish you with necessary forms for filing a claim.

**DAMAGES CAUSED DURING TRANSIT ARE NOT COVERED UNDER OUR WARRANTY.**

2. **PLEASE INSPECT CONTENTS OF PACKAGE(S) CAREFULLY UPON RECEIVING!**

We must be notified in writing of any damages and/or missing parts within the allocated days upon your receipt of package(s).

**CLAIMS WILL NOT BE ACCEPTED AFTER THE ALLOCATED DAYS.**

NOTE: ITEMS WERE THOROUGHLY TESTED AND CAREFULLY PACKED IN OUR FACTORY BEFORE SHIPPING.

3. Products must be returned in good working condition with ALL original parts and documentation packed in ALL original cartons, fillers and shipping cartons.

**EXCHANGES OR RETURNS MAY NOT BE ACCEPTED IF ANY PACKAGING IS MISSING.**

4. **MAKE SURE TO INSPECT THE HOOD FOR DAMAGES AND DEFECTS BEFORE INSTALLATION.** Appearance flaws of the hood found after installation and not affecting hood performance is not covered under our warranty for returns or exchanges.

A) Before Installation: Return for exchange or refund (please see above for acceptable returns).

B) After Installation: **NO** exchange or refund.

# WARRANTY

## WARRANTY CERTIFICATE

EPC Trading Inc. warrants all products manufactured or supplied by it to be free from defects in workmanship and materials. Its obligations pursuant to this warranty are limited to a period of one year from the date of purchase and to the replacement at its option and subject to the terms and conditions stated below, of any component part, which its examination shall disclose to be so defective.

## ONE-YEAR PART WARRANTY

Any covered failure occurring within one year of original purchase arising from defective workmanship or material in manufacture will be, at our discretion, replaced free of charge by EPC Trading Inc. as applicable. Keep proof of purchase (or original invoice) handy for inspection.

If the range hood is sold by the original purchaser during the warranty period the new owner is protected until expiration of the original purchaser's warranty.

## CONDITIONS

The following conditions apply only in relation to the warranty expressly given in this certificate.

- 1) This warranty applies only:
  - a) within U.S.A. and Canada.
  - b) to range hoods used for PRIVATE SINGLE FAMILY USE (if used for COMMERCIAL or MULTIPLE FAMILY USE or other purposes, warranty will be voided).
- 2) Repair of any fault to be provided under this warranty shall not be provided:
  - a) if the identification number attached to the range hood has been altered, rendered illegible or removed;
  - b) if notice of the defect has not been given within the period applicable;
  - c) for failure of light bulbs or heat lamps;
  - d) for physical damage;
  - e) for surfaces damaged by use of improper chemical cleaning agents;
  - f) if the appliance has been:
    - i) subject to misuse, abuse, negligence, accident, incorrect installation or failure to follow the operating instructions;
    - ii) connected to improper, inadequate or faulty electricity service or exhaust ducts, flues or duct cover, or operated using incorrect or contaminated lubricants;
  - g) for damage to range hood during transit, delivery, installation or removal;
  - h) noise or vibration caused by improper installation of range hood and/or damper.
- 3) The purchaser must produce proof of purchase together with this warranty certificate when making the claim.
- 4) Damages caused during shipment are not covered under our warranty.

## **CONSEQUENTIAL DAMAGE**

The warrantor is not responsible for any consequential damage. SOME STATES DO NOT ALLOW THE EXCLUSION OF CONSEQUENTIAL DAMAGE SO THE ABOVE EXCLUSION MAY NOT APPLY TO YOU.

## **IMPLIED WARRANTIES/STATE LAW**

Any implied warranties, including the implied warranty of merchantability and fitness for purpose, imposed on the sale by the laws of the state of sale are limited to one year from the date of original purchase. Some states do not allow limitations on the duration of implied warranties. This warranty gives you specific legal rights, and may also have rights, which vary from state to state.

## **CUSTOMER SERVICE**

For service contact:

KOBE Range Hoods  
11775 Clark Street  
Arcadia, CA 91006  
U.S.A.  
Tel: (626) 775-8880  
Email: [Customer.Service@KOBERangeHoods.com](mailto:Customer.Service@KOBERangeHoods.com)  
Website: [www.KOBERangeHoods.com](http://www.KOBERangeHoods.com)

# PRODUCT REGISTRATION

## Register Your Product!

Any covered failure occurring within one year of original purchase arising from defective workmanship or material in manufacture will be repaired or at our option the unit will be replaced free of charge by EPC Trading Inc. as applicable. Keep proof of purchase (original invoice) handy for inspection.

If the range hood is sold by the original purchaser during the warranty period the new owner is protected until expiration of the original purchaser's warranty. See warranty section for complete warranty coverage information.

This appliance has been manufactured, tested, and inspected to the standards required by EPC Trading Inc.

## PLEASE MAIL IN YOUR WARRANTY REGISTRATION CARD AND PROOF OF PURCHASE TO:

KOBE Range Hoods  
Warranty Registration  
11775 Clark Street  
Arcadia, CA 91006  
U.S.A.

## RECORD THE FOLLOWING INFORMATION FOR YOUR RECORD:

Model No. \_\_\_\_\_

Serial No. \_\_\_\_\_

Purchased Date                    \_\_\_\_ / \_\_\_\_ / \_\_\_\_

Purchased From:

\_\_\_\_\_  
\_\_\_\_\_  
\_\_\_\_\_

**IMPORTANT: PLEASE KEEP A COPY OF YOUR SALE RECEIPT OR INVOICE HANDY WHEN REQUESTING SERVICE.**

# [FRENCH]

## LIRE ET CONSERVER CES INSTRUCTIONS

### TABLE DES MATIÈRES

CONSIGNES DE SÉCURITÉ IMPORTANTES .....	20
CONTENU DE L'EMBALLAGE.....	23
INSTALLATION .....	23
MODE D'EMPLOI.....	28
ENTRETIEN PRÉVENTIF .....	29
SPÉCIFICATIONS.....	30
MESURES ET SCHÉMAS.....	31
LISTE DES PIÈCES .....	32
SCHEMA DE CABLAGE .....	34
TROUBLE SHOOTING.....	35
AVIS DE NON-RESPONSABILITÉ.....	36
GARANTIE .....	37
ENREGISTREMENT DU PRODUIT .....	37

-LIRE ATTENTIVEMENT TOUTES LES CONSIGNES AVANT DE COMMENCER-

TOUT LE CÂBLAGE ÉLECTRIQUE DOIT ÊTRE EFFECTUÉ  
PAR UN PROFESSIONNEL EN CONFORMITÉ AVEC LES CODES  
D'ÉLECTRICITÉ LOCAUX ET NATIONAUX



## CONSIGNES DE SÉCURITÉ IMPORTANTES

- SVP LIRE CETTE SECTION ATTENTIVEMENT AVANT L'INSTALLATION -

**⚠AVERTISSEMENT: AFIN DE RÉDUIRE LES RISQUES D'INCENDIE, DE CHOC ÉLECTRIQUE ET DE BLESSURES, RESPECTER LES CONSIGNES SUIVANTES :**

- 1) L'installation et le câblage électrique doivent être effectués par des techniciens qualifiés et en conformité avec tous les codes et toutes les normes qui s'appliquent même pour les constructions ignifugées.
- 2) Lorsque vous découpez ou percez un mur ou un plafond, prendre soin de ne pas endommager le filage électrique ou autres conduits cachés.
- 3) Les hottes à évacuation doivent être évacuées à l'extérieur.
  - a) Avant une réparation, un entretien préventif ou un nettoyage, ouvrir le panneau de la lumière et **COUPER LE COURANT ÉLECTRIQUE SUR LE TABLEAU DE DISTRIBUTION.**
  - b) Nettoyer le ventilateur, le filtre optionnel et les surfaces chargées de graisse fréquemment. Afin de réduire les risques d'incendie et afin de disperser l'air adéquatement, évacuer l'air à l'extérieur. **NE PAS** ventiler l'air d'évacuation dans les murs, les greniers, les vides sanitaires ou les garages.

NOTE - La garantie de cet appareil sera nulle sans le reçu d'un distributeur autorisé ou si l'appareil est endommagé par une utilisation inadéquate, une installation déficiente, un usage inapproprié, un mauvais traitement, de la négligence ou par toute autre circonstance échappant au contrôle des distributeurs autorisés de EPC Trading Inc..

- EPC Trading Inc. se dégage de toute responsabilité face à des dommages à la propriété personnelle ou aux biens immeubles ou encore à des blessures corporelles causées directement ou indirectement par la hotte de cuisinière.

**⚠AVERTISSEMENT : AFIN DE RÉDUIRE LES RISQUES DE BLESSURES CORPORELLES DANS L'ÉVENTUALITÉ D'UN INCENDIE DE GRAISSE SE DÉCLARANT SOUS LA HOTTE DE CUISINIÈRE :**

- Tenir toujours propres le ventilateur, les filtres déflecteurs, s'il y en a, et les surfaces chargées de graisse.
- Toujours faire fonctionner la hotte lors d'une cuisson à température élevée.
- Utiliser les vitesses élevées de la hotte **UNIQUEMENT** lorsque nécessaire. Chauffer l'huile lentement aux réglages de basses ou de moyennes vitesses.
- Ne pas laisser la cuisinière sans surveillance lors de la cuisson.
- Toujours utiliser les articles de cuisson et les ustensiles appropriés au type et à la quantité d'aliments préparés.
- Utiliser l'appareil seulement pour l'usage auquel le fabricant l'a destiné.
- Avant l'entretien courant, couper l'alimentation électrique au tableau de distribution principal et verrouiller ce dernier (si possible) pour éviter une mise en marche accidentelle.
- Nettoyer les ventilateurs fréquemment.



### Que faire en cas d'un incendie de graisse sur la cuisinière

- ÉTOUFFER LES FLAMMES à l'aide d'un couvercle hermétique, une plaque à biscuits ou un plateau métallique, puis fermer le rond ou le brûleur. GARDER LES MATÉRIAUX INFLAMMABLES OU COMBUSTIBLES LOIN DES FLAMMES. Si les flammes ne s'éteignent pas immédiatement, ÉVACUER LA ZONE ET APPELER LE SERVICE D'INCENDIE ou le 911.
- NE JAMAIS SOULEVER UNE CASSEROLE EN **FEU** - Il y a risque de brûlure.
- NE PAS UTILISER D'EAU incluant serviettes ou linges à vaisselle mouillés - cela provoquerait un violent jet de vapeur.
- Utiliser un extincteur SEULEMENT si:
  - a) vous possédez un extincteur de classe A, B ou C et si vous savez vous en servir ;
  - b) le feu est petit et est contenu dans la zone de départ ;
  - c) vous avez appelé le service d'incendie ;
  - d) vous pouvez combattre le feu le dos près d'une sortie.

### Que faire si une odeur de gaz se dégage

- Éteindre toute flamme nue.
- Ne pas essayer d'allumer des lumières ou tout type d'appareil électroménager.
- Ouvrir toutes les portes et fenêtres afin de chasser le gaz. Si une odeur de gaz est toujours perceptible, appeler votre fournisseur de gaz ainsi que le service d'incendie immédiatement.

### **⚠ ATTENTION !**

- 1) Cette hotte doit être utilisée uniquement pour une ventilation normale. Ne pas s'en servir pour évacuer des substances et vapeurs dangereuses ou explosives.
- 2) Afin de réduire les risques d'incendie, employer seulement des conduits de métal. Il doit y avoir suffisamment d'air pour une combustion et une évacuation des gaz appropriées par le conduit de fumée (cheminée) afin d'éviter le refoulement d'air.
- 3) Suivre les directives et les consignes de sécurité des fabricants d'équipement de chauffage comme celles publiées par le *National Fire Protection Association (NFPA)* et l'*American Society for Heating, Refrigeration and Air Conditioning Engineers (ASHRAE)* de même que les codes en vigueur.
- 4) L'activation de tout interrupteur peut provoquer l'allumage ou une explosion.
- 5) En raison de la taille et du poids de la hotte, il est recommandé que deux personnes participent à l'installation.

#### **⚠ AVERTISSEMENT**



**RISQUE DE CHOC ÉLECTRIQUE -** Pouvant entraîner la mort ou des blessures graves. Couper l'alimentation électrique à l'appareil avant tout entretien ou toute réparation. Si la hotte est munie d'une ampoule fluorescente, cette dernière contient une petite quantité de mercure et, en conséquence, elle doit être recyclée ou éliminée conformément aux codes locaux, provinciaux et fédéraux qui s'appliquent

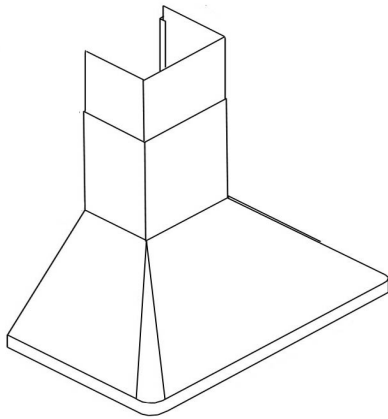
# CONTENU DE L'EMBALLAGE

POUR TOUT RETOUR OU REMBOURSEMENT  
CONSERVER TOUT LE MATÉRIEL AINSI QUE L'EMBALLAGE D'ORIGINE

## Boîte de la hotte de cuisine

- {A} Hotte Brillia - 1
- {B} Fiche d'enregistrement à la garantie - 1
- {C} Notice d'installation et mode d'emploi - 1
- {D} Support de fixation - hotte - 2
- {E} Ensemble de vis – 1
- {F} Filtre en aluminium - 2 (30 po)  
- 3 (36 po)

{A}



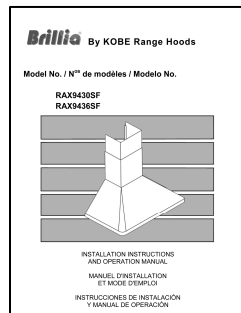
{F}



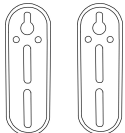
{B}

WARRANTY REGISTRATION CARD						
PLEASE PRINT:	MR.	MS.	MAIL			
FIRST NAME:		LAST NAME:				
ADDRESS:		APT. NO.:				
CITY:		STATE:	POSTAL CODE:			
TELEPHONE:		COUNTRY:				
MODEL NO.:		SERIAL NO.:				
<p>REGISTRATION CARD</p> <p>PROTECT YOUR WARRANTY RIGHTS! Use and print your name, address, phone number, and e-mail address on this card. Please complete and return this registration card along with your purchase to DEB Electronics.</p> <p><b>Brillia</b> By KOBE RANGE HOODS</p> <p>THIS APPLIANCE HAS BEEN MANUFACTURED, TESTED AND INSPECTED TO THE STANDARDS REQUIRED BY KOBE RANGE HOODS.</p> <p>MODEL NO. _____ SERIAL NO. _____</p> <table border="1"> <tr> <td>LEAK TEST</td> <td>PERFORMANCE TESTED</td> <td>TRIAL INSPECTION</td> </tr> </table> <p>IF YOU HAVE ANY QUESTIONS, PLEASE CONTACT OUR CUSTOMER SERVICE AT 1-877-847-7662 OR VISIT OUR WEBSITE AT <a href="http://www.kobehood.com">www.kobehood.com</a></p> <p><a href="http://www.kobehood.com">www.kobehood.com</a></p>				LEAK TEST	PERFORMANCE TESTED	TRIAL INSPECTION
LEAK TEST	PERFORMANCE TESTED	TRIAL INSPECTION				

{C}



{D}



{E}



M 4 x 8 mm (6 pcs)

- POUR PLUS D'INFORMATIONS, VEUILLEZ COMMUNIQUER AVEC Brillia by KOBE AU (626) 775-6388.

# INSTALLATION

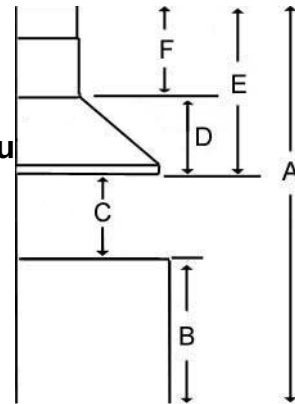
SVP LIRE AU COMPLET AVANT L'INSTALLATION

## Mesures à prendre avant l'installation

Pour calculer la longueur de l'installation, vous référer au Tableau 1 qui suit. (Toutes les mesures sont données en pouces).

**TABLEAU 1**

- A = Hauteur entre le plancher et le plafond  
B = Hauteur entre le plancher et le plan de travail  
(hauteur standard: 36 po)  
**C = Hauteur désirée entre le plan de travail et le dessous**  
**(dégagement recommandé: de 27 à 30 po)**  
D = Hauteur de la hotte  
E = Hauteur de l'installation de la hotte  
[A - (B + C)]  
F = Hauteur du couvre-conduit [E - D]



## **⚠️ CONSIGNES DE SÉCURITÉ**

**LES HOTTES PEUVENT AVOIR DES BORDS TRÈS TRANCHANTS ; PORTER DES GANTS DE PROTECTION SI NÉCESSAIRE POUR RETIRER DES PIÈCES LORS DE L'INSTALLATION, DU NETTOYAGE, DE L'ENTRETIEN ET DES RÉPARATIONS.**

**NOTE: FAIRE PREUVE DE PRÉCAUTION EN UTILISANT UN TOURNEVIS ÉLECTRIQUE PUISQUE CE DERNIER RISQUE D'ENDOMMAGER LA HOTTE.**

## Préparation avant l'installation

NOTE: NOTE: AFIN DE PRÉVENIR TOUT DOMMAGE À LA HOTTE, IL FAUT EMPÊCHER LES DÉBRIS DE PÉNÉTRER DANS L'OUVERTURE DE VENTILATION.

- Choisir l'emplacement du conduit de ventilation de la hotte à l'extérieur. Voir Photo 1.
- Un conduit court et droit permet de maximiser le rendement de la hotte.
- Essayer d'éviter autant que possible les raccords, les coudes et les longues sections de conduit puisque ceux-ci peuvent réduire le rendement de la hotte.
- Avant de l'installer, brancher la hotte temporairement pour vérifier si son fonctionnement est adéquat.
- Important: enlever la pellicule protectrice de la hotte (s'il y a lieu).
- Utiliser du ruban adhésif entoilé d'aluminium pour sceller les raccords entre les sections de tuyau.
- Si nécessaire, renforcer le mur arrière en y ajoutant du bois de charpente pour une installation sécuritaire. À l'aide des références du Tableau 1 et des mesures à la page 31, déterminer la hauteur du soutien de bois supplémentaire. Voir Photo 2
- Desserrer les supports de fixation à l'arrière de la hotte; régler les supports et serrer les vis comme illustré à la Photo 3.
- Si nécessaire, retirer la cale de caoutchouc à l'arrière de la hotte et la jeter. Voir photo 4.

## Installation de la hotte

**⚠ AVERTISSEMENT: S'il faut déplacer une cuisinière électrique pour installer la hotte, couper d'abord l'alimentation électrique à cette cuisinière par le tableau de distribution principal. COUPER LE GAZ AVANT DE DÉPLACER UNE CUISINIÈRE À GAZ.**

1. À l'aide des références du Tableau 1 et des mesures à la page 31, marquer les repères de mise à niveau des supports de fixation de la hotte sur le mur.

Photo 1

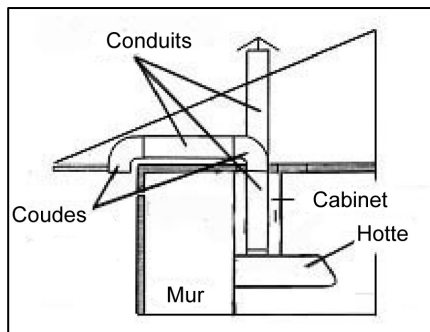


Photo 2

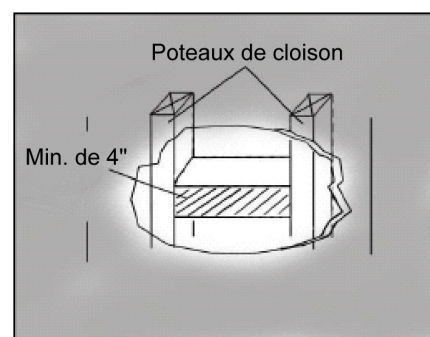


Photo 3

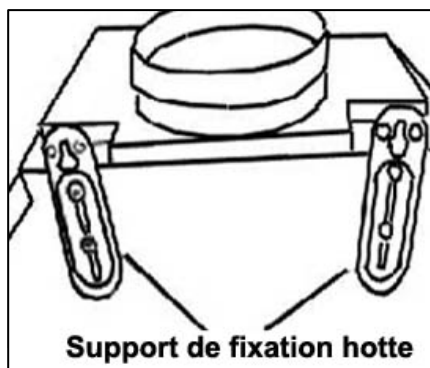
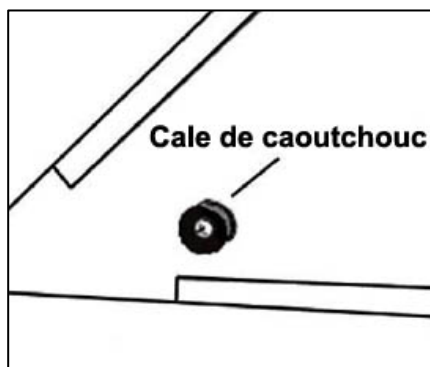
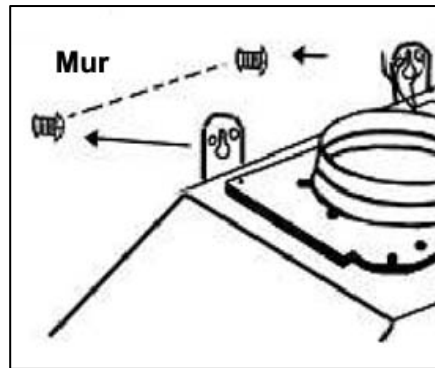


Photo 4



2. Fixer deux vis (non fournies) au mur en laissant un jeu de 1/8 po du mur comme illustré à la Photo 5.
3. Aligner le support de fixation de la hotte aux deux vis au mur et accrocher la hotte en place.
4. Serrer les vis pour bien fixer la hotte au mur.  
**AVERTISSEMENT: S'ASSURER QUE LA HOTTE EST SOLIDEMENT FIXÉE AVANT DE LA LÂCHER.**

Photo 5



### Installation du conduit

5. Marquer le repère de mise à niveau du support de fixation du couvre-conduit à l'aide de la référence **E** du Tableau 1 ainsi que des mesures à la page 31.
6. Attacher solidement le support de fixation du couvre-conduit au mur avec deux vis (non fournies). Voir photo 6. S'assurer que toutes les vis sont bien serrées. NOTE: Le couvre-conduit intérieur recouvrira le support de fixation.
7. Utiliser un tuyau rond d'aluminium ou d'acier (non fourni) pour raccorder l'évent de sortie en plastique de la hotte au conduit au-dessus. Utiliser du ruban adhésif entoilé d'aluminium pour rendre tous les raccords sécuritaires et hermétiques. Voir Photo 7.

Photo 6

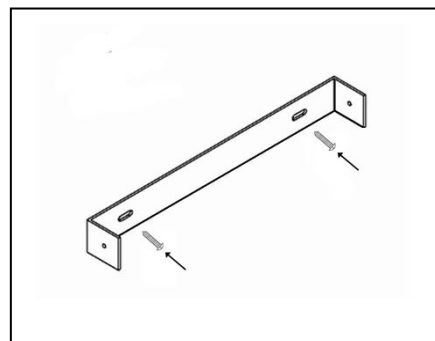


Photo 7

### Branchement des fils électriques

#### **⚠ CONSIGNE DE SÉCURITÉ**

**RISQUE DE CHOC ÉLECTRIQUE. CETTE HOTTE DE CUISINIÈRE DOIT ÊTRE MISE À LA TERRE ADÉQUATEMENT. CE TRAVAIL DOIT ÊTRE EXÉCUTÉ PAR UN ÉLECTRICIEN PROFESSIONNEL EN CONFORMITÉ AVEC TOUS LES CODES D'ÉLECTRICITÉ LOCAUX ET NATIONAUX QUI S'APPLIQUENT. AVANT DE BRANCHER DES FILS, COUPER LE COURANT ÉLECTRIQUE AU TABLEAU DE DISTRIBUTION PRINCIPAL ET VERROUILLER CE DERNIER POUR ÉVITER QUE LE COURANT SOIT REMIS ACCIDENTELLEMENT.**

8. Raccorder les trois fils (noir, blanc et vert) aux fils de la maison et couvrez-les avec des capuchons de connexion. Raccorder les fils selon la couleur : noir avec noir, blanc avec blanc et vert avec vert.
9. Vérifier le bon fonctionnement de la hotte avant de poursuivre. S'assurer que la hotte est alimentée en courant.

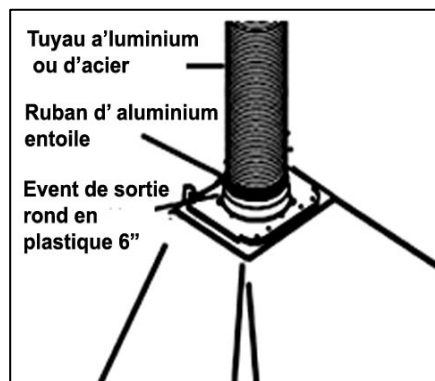
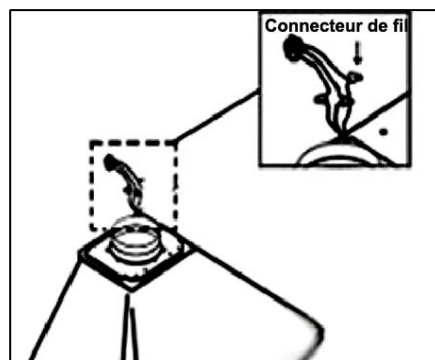


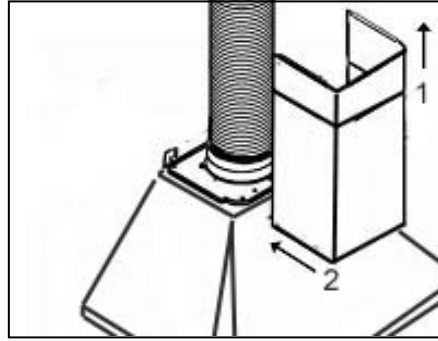
Photo 8



## Installation du couvre-conduit

Photo 9

10. Faire glisser le couvre-conduit intérieur vers le haut de 2 po avant de glisser le couvre-conduit entier sur la hotte. Voir Photo 9.
11. Ajuster la hauteur du couvre-conduit intérieur à celle du support de fixation du couvre-conduit. Fixer solidement le couvre-conduit intérieur avec deux vis 4 x 8 mm (fournies).
12. Attacher le couvre-conduit extérieur à la plaque en plastique de la hotte à l'aide de quatre vis 4 x 8 mm (fournies).



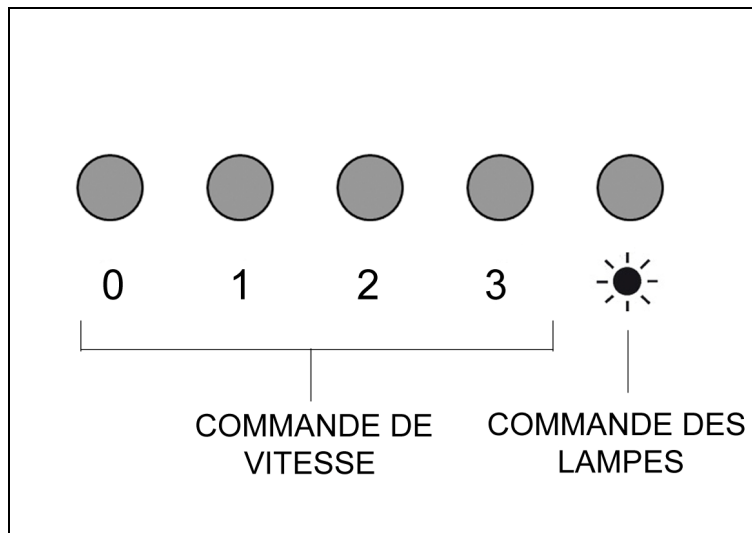
## Installation des accessoires

13. Placer les filtres en aluminium sous la hotte.

## Assemblage final

14. Démarrer la hotte par la commande marche/arrêt. Vérifier le fonctionnement de toutes les lampes et du ventilateur.
15. Remettre ce manuel au propriétaire pour consultation future.

## MODE D'EMPLOI



### **Le fonctionnement du ventilateur**

- Appuyer sur le bouton pour choisir la vitesse
  - 1= Basse
  - 2 = Moyenne
  - 3 = Élevée
- Appuyez sur "0" pour arrêter le ventilateur.

### **Le fonctionnement de la lumière**

- Appuyer sur bouton d'éclairage pour allumer les lampes.

## ENTRETIEN PRÉVENTIF

### AVERTISSEMENT DE SÉCURITÉ

Pour favoriser un rendement optimal, nettoyer régulièrement les surfaces de la hotte et les filtres déflecteurs.

### NETTOYAGE DES SURFACES DE LA HOTTE

### AVERTISSEMENT : NE JAMAIS EMPLOYER DE NETTOYANTS OU LINGES ABRASIFS, OU ENCORE DE LAINES À RÉCURER.

Pour une opération optimale, nettoyez régulièrement la hotte de cuisine et tous les déflecteurs/espacements/filtres/tunnels d'huile/contenants d'huile.

\*\*\* Un entretien fréquent aidera à conserver une belle apparence à la hotte.

1. Utiliser seulement du savon doux ou du détergent. Sécher les surfaces avec un chiffon doux.
2. Si la hotte est tachée (hotte en acier inoxydable), utiliser un nettoyant à base d'agrumes pour nettoyer les surfaces. Éviter de mettre du nettoyant sur les boutons de commande. Étendre une petite quantité sur les surfaces et laisser reposer quelques minutes (ne pas laisser trop longtemps car cela pourrait endommager le fini de la hotte). À l'aide d'un chiffon doux, enlever la solution nettoyante et frotter doucement les taches rebelles. Utiliser un chiffon légèrement humide pour enlever tout résidu de solution nettoyante. Sécher la hotte avec un chiffon doux. Pour redonner du brillant au fini en acier inoxydable, utiliser un nettoyant pour acier inoxydable.
3. NE PAS laisser les dépôts s'accumuler durant de longues périodes de temps.
4. NE PAS utiliser de laines ou de brosses à récurer ordinaires. Des particules d'acier peuvent adhérer à la surface et la faire rouiller.
5. NE PAS permettre à des solutions salines, des désinfectants, des javellisants ou des agents nettoyants de rester en contact avec l'acier inoxydable durant de longues périodes. Plusieurs de ces nettoyants contiennent des produits chimiques pouvant endommager l'acier inoxydable. Après tout contact de ce type, rincer à l'eau et essuyer avec un chiffon doux.

### NETTOYAGE DES FILTRES EN ALUMINIUM

1. Retirer tous les filtres en aluminium.
2. Laver dans une eau chaude savonneuse. Sécher entièrement avant de remettre en place.



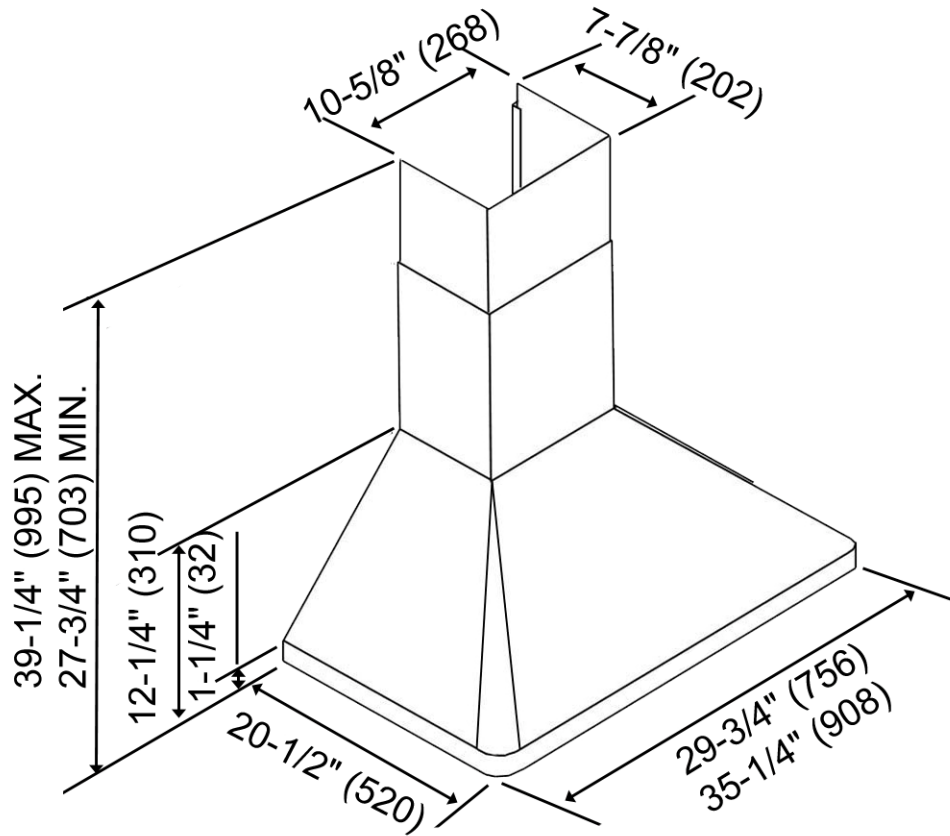
## SPÉCIFICATIONS

<b>MODÈLE / FORMAT</b>	RAX9430SF - 30 po RAX9436SF - 36 po		
<b>COULEUR</b>	Acier inoxydable de qualité commerciale		
<b>CONSOMMATION</b>	205 W / 1.77 A		
<b>VOLTAGE</b>	120 V - 60 Hz		
<b>NOMBRE DE MOTEURS</b>	1		
<b>DESIGN</b>	Fini satiné sans joints de calibre 18		
<b>TYPE DE VENTILATEUR</b>	Centrifuge à pales (cage à écureuil)		
<b>ÉVACUATION</b>	Évent rond de 6 po		
<b>COMMANDES</b>	Poussez le bouton de contrôle du système		
<b>LAMPES</b>	LED 3W x 2		
<b>DIMENSIONS DE LA HOTTE</b> (LARGEUR X PROFONDEUR X HAUTEUR)	RAX9430SF - 29 3/4 po x 20 1/2 po x 12 1/4 po RAX9436SF - 35 3/4 po x 20 1/2 po x 12 1/4 po		
<b>ACCESSOIRES EN OPTION</b> (LARGEUR X PROFONDEUR X HAUTEUR)	<ol style="list-style-type: none"> <li>1) <b>N° de modèle RA0930DC</b> Rallonge monopiece de couvre-conduit pour plafonds de 9 à 10 pieds</li> <li>2) <b>N° de modèle RA0946DC</b> Rallonge monopiece de couvre-conduit pour plafonds de 10 à 11 pieds</li> <li>3) <b>N° de modèle SSP30</b> Panneau arrière en acier inoxydable - 30 po (30 po x 1/10 po x 32 po)</li> <li>4) <b>N° de modèle SSP36</b> Panneau arrière en acier inoxydable - 30 po (36 po x 1/10 po x 32 po)</li> </ol>		
<b>POIDS DE LA HOTTE (lb)</b>		<u>NET</u>	<u>BRUT</u>
	RAX9430SF	42	62
	RAX9436SF	46	68
<b>VITESSE</b>	Basse	Moyenne	Élevée
<b>Capacité d'air (cfm)</b>	280	400	600
<b>Sone</b>	1.5	3.0	4.8

\*Les spécifications sont sujettes à changement sans préavis.

## MESURES ET SCHÉMAS

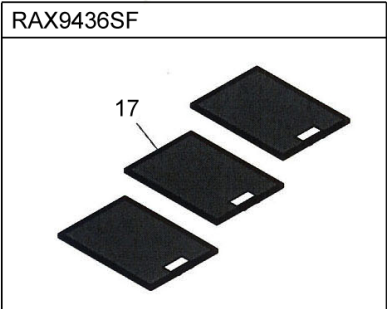
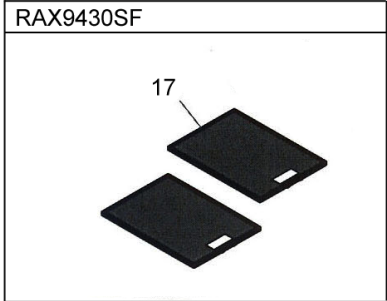
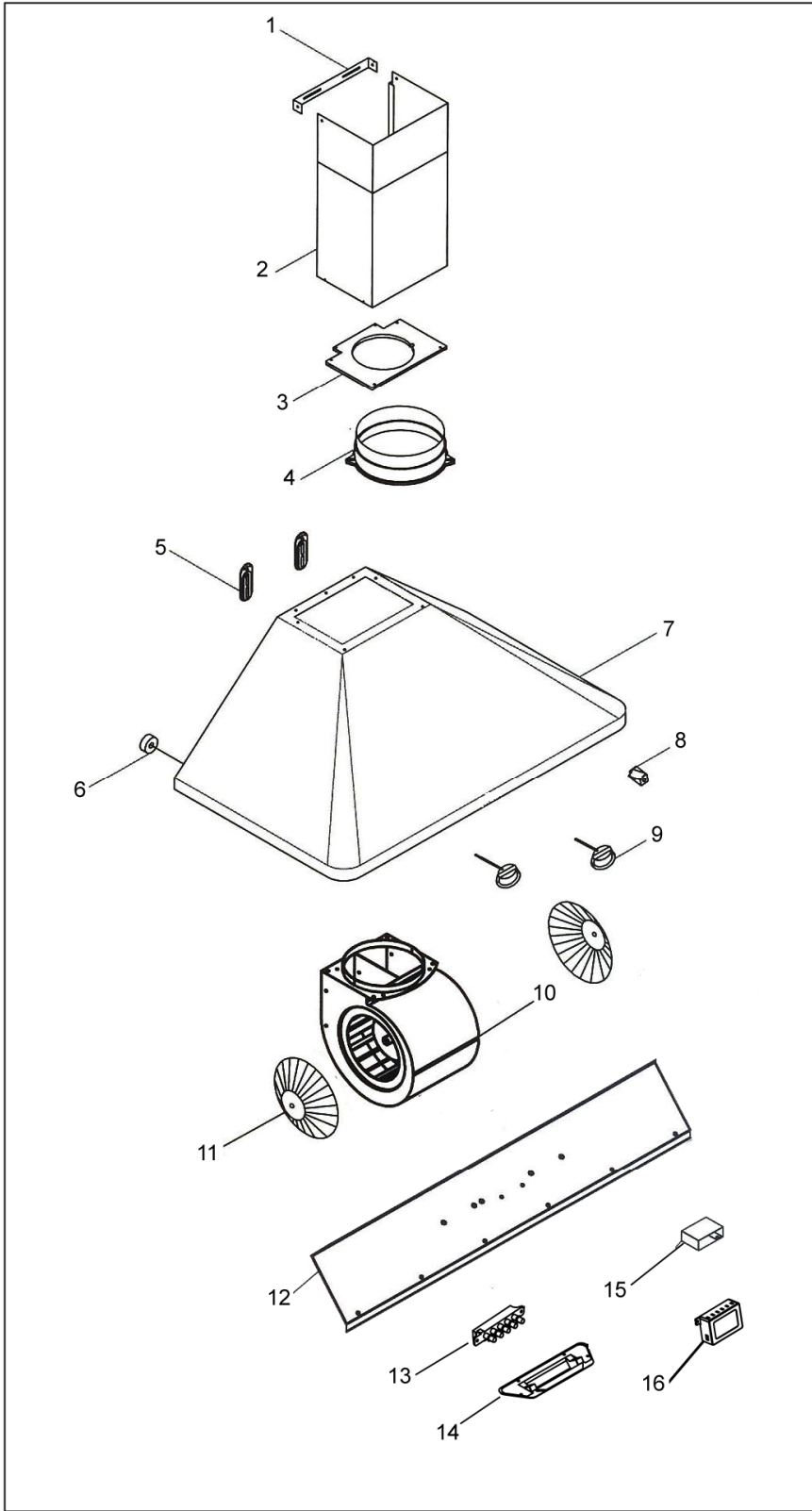
- ◆ Toutes les mesures en pouces sont converties à partir de millimètres. Les mesures en pouces sont estimées.
- ◆ Toutes les mesures entre parenthèses sont en millimètres.



## LISTE DES PIÈCES

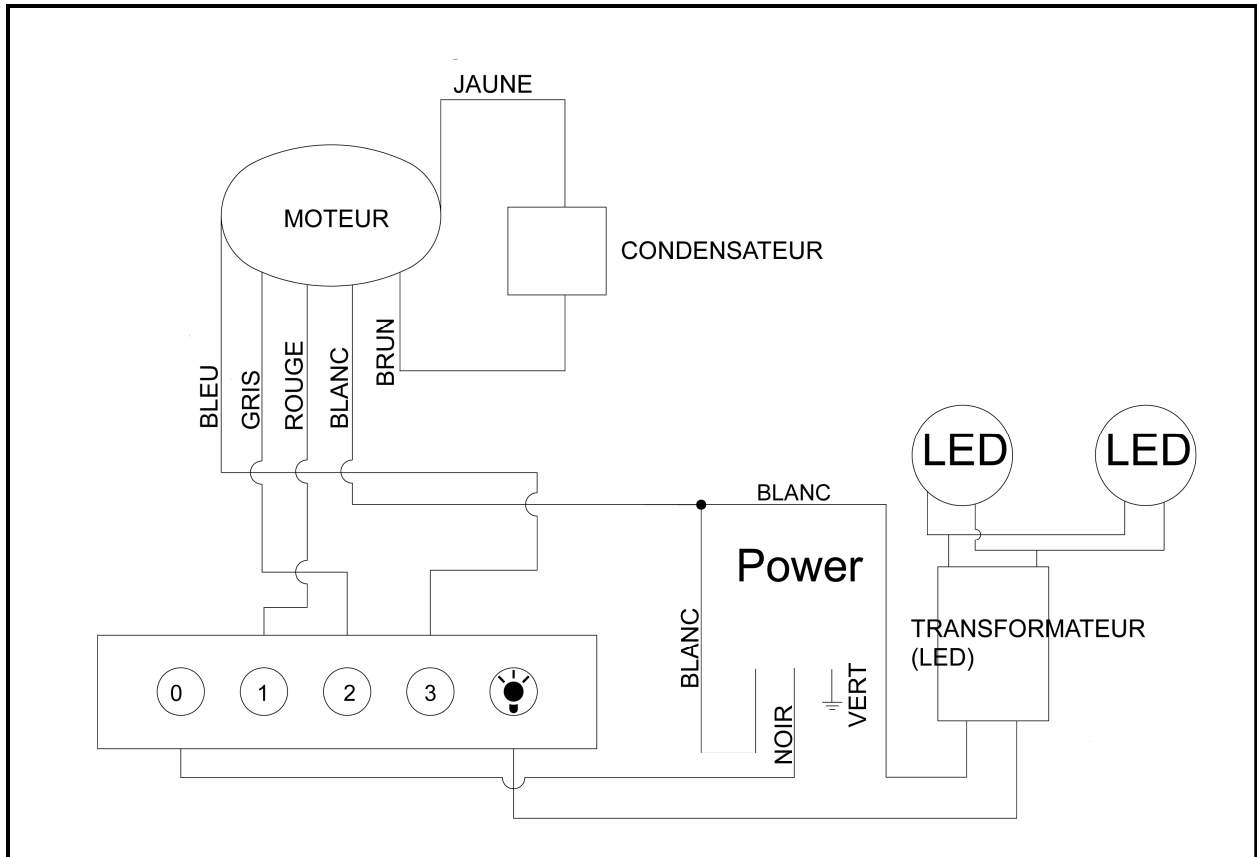
**N<sup>os</sup> De Modèles:   RAX9430SF  
                              RAX9436SF**

N <sup>o</sup>	DESCRIPTION	MODÈLE/FORMAT	N <sup>o</sup> DE PIÈCE
1	Support de fixation - couvre-conduit		C1-0203-0092
2	Couvre-conduit	RAX094DC	B102-0192
3	Plaque en plastique		C1-0506-0092
4	Évent rond en plastique - 6 po		C1-0505-0001
5	Support de fixation - hotte		C1- 0221-0001
6	Cale de caoutchouc		C1-0510-0101
7	Caisson supérieur de la hotte	RAX9430SF	BRRA-25300-A
		RAX9436SF	BRRA-25900-A
8	Boîtier de connexions		C1-0231-2590
9	LED		C1-0403-0306
10	Boîtier de moteur et moteur		BR-0302-A120-01
11	Grille de protection		C1-0602-0103
12	Support - composants électriques	RAX9430SF	C1-0207-2530
		RAX9436SF	C1-0207-2590
13	Tableau des commandes		C1-0405-0303
14	Support - tableau des commandes		C1-0207-6200
15	Condensateur		C1-0401-A300-08
16	Transformateur (lampe)		C1-0402-D001
17	Filtre en aluminium		C1-0604-0107



# \_SCHEMA DE CABLAGE

N<sup>os</sup> De Modèles: RAX9430SF  
RAX9436SF



## TROUBLE SHOOTING

<b>Problème</b>	<b>Cause probable</b>	<b>Solution</b>
Après l'installation, les deux moteurs et les lumières ne fonctionnent pas.	Pas d'alimentation électrique. Assurez-vous que le disjoncteur et que l'alimentation électrique soient en marche.	Utilisez un voltmètre pour vérifier l'alimentation en électricité.
	Le câblage n'est pas bien installé.	Vérifiez et serrez les connexions de fils.
Les lumières fonctionnent, mais pas le(s) moteur(s).	Le(s) moteur(s) est (sont) défectueux.	Remplacez le(s) moteur(s).
	Le(s) condensateur(s) est (sont) défectueux.	Remplacez le(s) condensateur(s).
La hotte de cuisine vibre.	Le système de ventilation n'est pas bien installé.	Serrez la pale turbine/cage d'écureuil et le réservoir d'air.
	La pale turbine/cage écureuil n'est pas bien balancée.	Remplacez la pale turbine/cage d'écureuil.
	La hotte n'est pas assez bien serrée.	Vérifiez l'installation de la hotte, serrez le support de fixation.
Le moteur fonctionne, mais pas les lumières.	L'ampoule de la lampe(s) est défectueuse.	Essayez l'ampoule de lampe défectueuse sur une douille qui fonctionne. Si l'ampoule ne fonctionne toujours pas, remplacez-la.
	Le câblage de la lampe n'est pas assez serré.	Vérifiez le câblage au complet à partir de la carte processeur jusqu'au transformateur puis jusqu'au boîtier.
	Le transformateur de la lumière est défectueux.	Vérifiez l'entrée de courant et la sortie de courant du transformateur de lampe. Si nécessaire, remplacez le transformateur de lampe.
La hotte de cuisine ne ventile pas correctement.	La hotte de cuisine est installée hors des limites recommandées par le fabricant.	Ajustez le dégagement entre la hotte de cuisine et la table de cuisson pour qu'il soit de 27" à 30". Pour une hotte de cuisinière sur îlot, le dégagement entre la hotte de cuisine et la table de cuisson est de 30" à 36".
	Il n'y a pas d'air d'appoint à l'intérieur de la maison.	Ouvrez la fenêtre pour améliorer la performance de la hotte en créant suffisamment d'air d'appoint.
	Un obstacle bloque la canalisation.	Enlevez tous les obstacles de la canalisation.
	La canalisation est plus petite que la canalisation suggérée.	Changez la canalisation en accord avec les suggestions du fabricant.
De l'air froid entre dans la maison.	La connexion du conduit n'est pas scellée correctement.	Vérifiez l'installation du conduit.

## **AVIS DE NON-RESPONSABILITÉ**

1. **INSPECTER ATTENTIVEMENT TOUS LES ARTICLES POUR DÉCELER TOUT DOMMAGE, S'IL Y A LIEU, AVANT D'ACCEPTER LA LIVRAISON. NOTER TOUT DOMMAGE SUR LA FACTURE DE TRANSPORT OU LE CONNAISSEMENT. EXIGER LE NOM ET LA SIGNATURE DE L'EMPLOYÉ DU TRANSPORTEUR ET CONSERVER UNE COPIE COMME PIÈCE JUSTIFICATIVE DE LA RÉCLAMATION.**

Sur acceptation des articles, le propriétaire assume la responsabilité de l'état dans lequel se trouvent les articles à la livraison. Les dommages doivent être déclarés au transporteur et une réclamation doit être déposée à défaut de quoi le transporteur pourrait refuser d'honorer la réclamation. Le transporteur fournira les formulaires nécessaires pour effectuer une réclamation.

**LES DOMMAGES CAUSÉS DURANT LE TRANSPORT NE SONT PAS COUVERTS PAR NOTRE GARANTIE.**

2. **PRIÈRE DE BIEN VÉRIFIER LE CONTENU DE L'EMBALLAGE (DES EMBALLAGES) À LA RÉCEPTION !** Vous devez nous aviser par écrit de tout dommage ou de toute pièce manquante à l'intérieur du délai alloué à partir de la réception de la marchandise.  
**LES RÉCLAMATIONS QUI NOUS PARVIENDRONT APRÈS LE DÉLAI ALLOUÉ SERONT REFUSÉES.**

NOTE: TOUS LES ARTICLES ONT ÉTÉ MIS À L'ESSAI MINUTIEUSEMENT ET EMBALLÉS AVEC SOIN À NOTRE USINE.

3. Les produits doivent être retournés en bonne condition de fonctionnement avec TOUTES les pièces d'origine et la documentation et dans TOUS les emballages d'origine (boîtes de carton et matériel de remplissage).  
**LES ÉCHANGES OU LES RETOURS PEUVENT ÊTRE REFUSÉS SI UNE PARTIE DE L'EMBALLAGE EST MANQUANTE.**

4. **INSPECTER AVEC SOIN LA HOTTE POUR DÉCELER TOUT DOMMAGE OU DÉFAUT AVANT L'INSTALLATION.** Les défauts dans l'apparence de la hotte décelés après l'installation et n'ayant aucune incidence sur son rendement ne sont pas couverts par notre garantie et ne peuvent constituer une raison valable pour un retour ou un échange.

A) Avant l'installation : retour pour échange ou remboursement (veuillez voir plus haut les raisons valables pour un retour).

B) Après l'installation : **AUCUN** échange ou remboursement.

# **GARANTIE**

## **CERTIFICAT DE GARANTIE**

Tous les produits fabriqués ou fournis par EPC Trading Inc. sont garantis contre tout défaut de fabrication et de matière première. Les obligations du fabricant dans le cadre de la présente garantie sont limitées à une période de un (1) an à partir de la date d'achat et au remplacement, à sa discrétion, conformément aux modalités et conditions énoncées plus bas, de tout composant qu'il jugera défectueux après examen.

### **PÉRIODE DE GARANTIE DE UN (1) ANS (PIÈCES)**

Toute défaillance couverte par la garantie se produisant dans les un (1) an à compter de la date d'achat d'origine et découlant d'une fabrication ou d'une matière première défectueuse sera à notre discrétion, l'appareil pourra être remplacé sans frais par EPC Trading Inc. Conservez votre preuve d'achat (ou facture d'origine) pour inspection.

Si la hotte de cuisinière est vendue par l'acheteur d'origine au cours de la période de garantie, le nouveau propriétaire sera protégé jusqu'à l'expiration de la garantie de l'acheteur d'origine.

### **CONDITIONS**

Les conditions suivantes s'appliquent seulement en relation avec la garantie accordée expressément par le présent certificat.

- 1) La présente garantie est valide uniquement :
  - a) aux États-Unis et au Canada;
  - b) si la hotte de cuisinière est utilisée pour un USAGE FAMILIAL UNIQUE (si la hotte sert à un USAGE COMMERCIAL OU À PLUSIEURS FAMILLES OU À D'AUTRES FINS, la garantie sera nulle et non avenue).
- 2) La réparation de tout défaut couvert par la présente garantie ne sera pas couverte :
  - a) si le numéro d'identification de la hotte a été altéré, rendu illisible ou enlevé;
  - b) si le défaut n'a pas été déclaré au cours de la période de garantie applicable;
  - c) dans le cas de défectuosité des ampoules ou des lampes à rayons infrarouges;
  - d) dans le cas de tout dommage physique;
  - e) pour des surfaces endommagées par l'utilisation de produits nettoyants inappropriés;
  - f) si l'appareil a été:
    - i). soumis à un mauvais usage, un abus, une négligence, un accident, une installation inadéquate ou si les instructions du mode d'emploi n'ont pas été respectées;
    - ii). branché à une alimentation électrique ou à des conduits d'évacuation inappropriés, inadéquats ou défectueux ou opéré avec l'emploi de lubrifiants inadéquats ou contaminés;
  - g) pour tout dommage à la hotte durant le transport, la livraison, l'installation ou l'enlèvement ;
  - h) le bruit ou la vibration causé par une installation inappropriée de la hotte de ventilation et/ou du clapet.
- 3) L'acheteur doit fournir la preuve d'achat de même que le présent certificat de garantie au moment de faire une réclamation.
- 4) Les dommages causés durant l'expédition ne sont pas couverts sous la présente garantie.



## **DOMMAGES INDIRECTS**

EPC Trading Inc. ne sera pas tenue responsable des dommages indirects. CERTAINS ÉTATS ET CERTAINES PROVINCES NE PERMETTENT PAS L'EXCLUSION DES DOMMAGES INDIRECTS. EN CONSÉQUENCE, LA PRÉSENTE EXCLUSION PEUT NE PAS S'APPLIQUER DANS VOTRE CAS.

## **GARANTIES TACITES / RÉGLEMENTATION**

Toutes les garanties tacites, incluant la garantie implicite de qualité marchande et de pertinence dans un but particulier, imposées par la réglementation de l'état ou de la province d'achat, sont limitées à une durée de un (1) an à compter de la date d'achat d'origine. Certains états ou provinces ne permettent pas les limitations ayant trait à la durée d'une garantie tacite. La présente garantie vous donne des droits légaux précis et vous pouvez avoir d'autres droits pouvant varier d'un état à l'autre ou d'une province à l'autre.

## **SERVICE**

Pour obtenir du service :

KOBE Range Hoods  
11775 Clark Street  
Arcadia, CA 91006  
U.S.A.

Tél: (626) 775-8880

Courriel: [Customer.Service@KOBERangeHoods.com](mailto:Customer.Service@KOBERangeHoods.com)

Website: [www.KOBERangeHoods.com](http://www.KOBERangeHoods.com)

## ENREGISTREMENT DU PRODUIT

### Enregistrez votre produit !

Toute défaillance couverte par la garantie se produisant dans les un (1) an à compter de la date d'achat d'origine et découlant d'une fabrication ou d'une matière première défectueuse sera à notre discrétion, l'appareil pourra être remplacé sans frais par EPC Trading Inc. Conservez votre preuve d'achat (ou facture d'origine) pour inspection.

Si la hotte de cuisinière est vendue par l'acheteur d'origine au cours de la période de garantie, le nouveau propriétaire sera protégé jusqu'à l'expiration de la garantie de l'acheteur d'origine. Voir le certificat de garantie pour la couverture complète de la garantie.

Cet appareil a été fabriqué, mis à l'essai et inspecté conformément aux normes exigées par EPC Trading Inc.

### SVP, POSTER VOTRE FICHE D'ENREGISTREMENT DE PRODUIT AVEC VOTRE PREUVE D'ACHAT À:

KOBE Range Hoods  
Warranty Registration  
11775 Clark Street  
Arcadia, CA 91006  
U.S.A.

### INSCRIRE LES RENSEIGNEMENTS SUIVANTS POUR NOS DOSSIERS :

N° de modèle \_\_\_\_\_

N° de série \_\_\_\_\_

Date d'achat \_\_\_\_ / \_\_\_\_ / \_\_\_\_

Nom et adresse du détaillant :

---

---

---

**IMPORTANT : VEUILLEZ AVOIR EN MAIN UNE COPIE DE VOTRE FACTURE LORSQUE VOUS EFFECTUEZ UN APPEL DE SERVICE.**

# [SPANISH]

- LEA Y CONSERVE ESTAS INSTRUCCIONES -

## ÍNDICE

INSTRUCCIONES IMPORTANTES DE SEGURIDAD .....	41
COMPONENTES DEL PAQUETE.....	43
INSTALACIÓN.....	44
INSTRUCCIONES DE OPERACIÓN .....	48
MANTENIMIENTO .....	49
ESPECIFICACIONES .....	50
MEDIDAS Y DIAGRAMAS .....	51
LISTADO DE PIEZAS .....	52
DIAGRAMA DE CIRCUITO .....	54
INSTRUCCIONES IMPORTANTES DE SEGURIDAD.....	55
CLÁUSULA DE EXENCIÓN.....	56
GARANTÍA.....	57
REGISTRO DEL PRODUCTO .....	59

- LEA CUIDADOSAMENTE TODAS LAS INSTRUCCIONES ANTES DE  
COMENZAR -

TODO EL CABLEADO DEBE HACERLO UN PROFESIONAL Y  
DE ACUERDO CON LOS CÓDIGOS ELÉCTRICOS NACIONALES Y  
LOCALES



## INSTRUCCIONES IMPORTANTES DE SEGURIDAD

- POR FAVOR, LEA CUIDADOSAMENTE ESTA SECCIÓN ANTES DE LA INSTALACIÓN -

**⚠️ ADVERTENCIA:** PARA REDUCIR EL RIESGO DE INCENDIO, ELECTROCUCIÓN O LESIONES PERSONALES, TOMA EN CUENTA LO SIGUIENTE:

- 1) La instalación y el cableado eléctrico deben hacerse por profesionales calificados y de acuerdo con todos los códigos y estándares aplicables, incluyendo los códigos y normas sobre la construcción para prevenir incendios.
- 2) Cuando corte o barrene en paredes o techo, tenga cuidado de no dañar el cableado eléctrico u otras instalaciones de servicios ocultas.
- 3) Los ventiladores con conductos deben ventilarse hacia afuera.
  - a) Antes de hacerle servicio o limpiar la unidad, abra el panel de luz y DESCONECTE EL SUMINISTRO ELÉCTRICO EN EL PANEL DE SERVICIO.
  - b) Limpie con frecuencia todas las superficies saturadas con grasa. Para reducir el riesgo de incendios y para dispersar el aire apropiadamente, asegúrese de ventilar el aire hacia afuera. NO ventile el aire del escape en paredes, áticos, espacios entre pisos o garajes.

NOTA - Esta garantía no es válida sin un recibo de un agente autorizado o si la unidad se ha dañado debido al maltrato, mala instalación, uso inadecuado, abuso, negligencia o cualquier otra circunstancia que se encuentre fuera del control de EPC Trading Inc.

- EPC Trading Inc. no se hará responsable por cualquier daño a la propiedad personal o inmobiliario ni por las lesiones físicas que se hayan causado ya sea directa o indirectamente por la campana de extracción.

**⚠️ ADVERTENCIA:** PARA REDUCIR EL RIESGO QUE OCURRAN LESIONES PERSONALES EN CASO DE UN INCENDIO CAUSADO POR LA GRASA ACUMULADA EN LAS HORNILLAS DE LA ESTUFA:

- Mantenga todos los ventiladores, deflectores/separadores/filtros/conductos de aceite/recipientes para aceite y superficies con grasa acumulada limpias. No debe permitirse la acumulación de grasa en ventiladores, deflectores/separadores/filtros/conductos de aceite/recipientes para aceite.
- Siempre mantenga ENCENDIDO su extractor cuando cocine.
- Utilice las configuraciones altas en la estufa SOLAMENTE cuando sea necesario.
- No deje la estufa sin supervisión cuando esté cocinando.
- Siempre utilice utensilios de cocina apropiados para el tipo y cantidad de comida que prepare.
- Utilice esta unidad en la forma indicada por el fabricante.
- Antes de darle servicio, desconecte el suministro eléctrico en el panel de servicio y cierre bajo llave el panel de servicio (de ser posible) para prevenir que la unidad se encienda accidentalmente.
- Limpie el ventilador con frecuencia.

### Qué hacer en caso de Incendio por Grasa Acumulada en las Hornillas de la Estufa

- SOFOQUE LAS LLAMAS con una tapadera, bandeja para hornear galletas o bandeja de metal, y luego apague la hornilla. MANTENGA EL MATERIAL INFLAMABLE O COMBUSTIBLE LEJOS DE LAS LLAMAS. Si las llamas no se apagan inmediatamente, EVACUE EL ÁREA Y LLAME AL DEPARTAMENTO DE BOMBEROS o al 911.
- NUNCA LEVANTE UN SARTÉN QUE SE ESTÉ QUEMANDO – Usted Podría Quemarse.
- NO UTILICE AGUA, incluyendo paños o toallas mojadas- esto resultará en una explosión violenta de vapor.
- Utilice un extinguidor SOLO si:
  - a) Cuenta con un extinguidor Clase A, B, C y sabe como utilizarlo.
  - b) El incendio es pequeño y se ha contenido en el área donde comenzó.
  - c) Ha llamado al departamento de bomberos.
  - d) Puede combatir el incendio con su espalda dirigida hacia una salida.

### Qué hacer si Siente Olor a Gas

- Apague cualquier llama abierta.
- No intente encender las luces o cualquier otro tipo de aparato.
- Abra todas las puertas y ventanas para dispersar el gas. Si aún siente olor a gas, llame a la Compañía de Gas o al Departamento de Bomberos inmediatamente.

## **⚠ PRECAUCIÓN**

- 1) Solamente para ventilación general. No utilizar para eliminar materiales y vapores peligrosos o explosivos.
- 2) Para reducir el peligro de incendio, utilice solamente una red de conductos metálicos. Necesita aire suficiente para la combustión y eliminación de gases por medio del conducto de ventilación (chimenea) para prevenir la explosión de flujo de aire en retroceso.
- 3) Siga las directrices y estándares de seguridad del fabricante del equipo de calefacción, tales como aquellos publicados por la Asociación de Protección contra Incendios (National Fire Protection Association – NFPA) y la Sociedad Americana de Ingenieros en Calefacción, Refrigeración y Aire Acondicionado (American Society for Heating, Refrigeration and Air Conditioning Engineers – ASHRAE) y las autoridades normativas.
- 4) Activar cualquier interruptor podría causar una explosión o ignición.
- 5) Debido al tamaño y peso de esta campana de extracción, se recomienda que la instalación sea realizada por dos personas.

### **⚠ ADVERTENCIA**



**RIESGO DE ELECTROCUCIÓN – Puede resultar en lesiones serias o la muerte. Desconecte el aparato del suministro eléctrico antes de darle servicio. Si estuviera equipado con éste, el foco fluorescente debido a que contiene pequeñas cantidades de mercurio, deberá reciclarse o desecharse según los Códigos Locales, Estatales y Federales.**

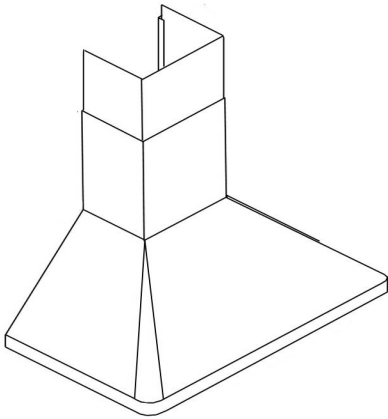
# COMPONENTES DEL PAQUETE

(Debe conservar todo el material en caso de devolverlo o solicitar un reembolso)

## Caja de la Campana de Extracción

- {A} Campana de Extracción Brillia -1
- {B} Tarjeta de Registro para Garantía-1
- {C} Manual de Instrucciones-1
- {D} Soporte de Montaje para la Campana – 2
- {E} Paquete de Tornillos – 1
- {F} Filtros Deflectores - 2 (30")  
- 3 (36")

{A}



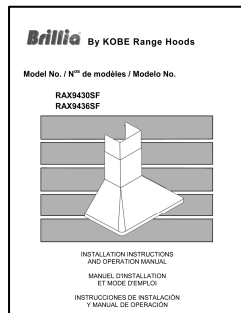
{F}



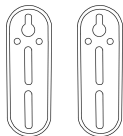
{B}

WARRANTY REGISTRATION CARD		
NAME (PRINT):	NO.:	REG. NO.:
TYPE (RANGE):	MODEL NO.:	DATE PURCHASED:
DEPT.:	STREET:	CITY/STATE/ZIP:
TELEPHONE:	PHONE:	TELEPHONE:
MODEL NO.:	SERIAL NO.:	DATE OF PURCHASE:
<small>IMPORTANT: Please fill in this card and return it to the manufacturer. This is the only way to ensure that you are covered by the warranty. Please attach this card to the product or return it to the manufacturer.</small>		
<small>THIS APPLIANCE HAS BEEN MANUFACTURED, TESTED AND INSPECTED TO THE STANDARDS REQUIRED BY KOBE RANGE HOODS.</small>		
MODEL NO.:	SERIAL NO.:	
USE TEST:	PERFORMANCE TEST:	FAULT REDUCTION:
<small>IF YOU HAVE ANY QUESTIONS, PLEASE CONTACT OUR CUSTOMER SERVICE AT 1-877-811-KOBE (1-877-266-4223) OR EMAIL <a href="mailto:support@brillia.com">support@brillia.com</a></small>		
<small>© 2012 Brillia by KOBE</small>		

{C}



{D}



{E}



M4 x 8mm (6 piezas)

- PARA OBTENER MÁS INFORMACIÓN, POR FAVOR CONTACTE A BRILLIA BY KOBE AL (626) 775-6388.

# INSTALACIÓN

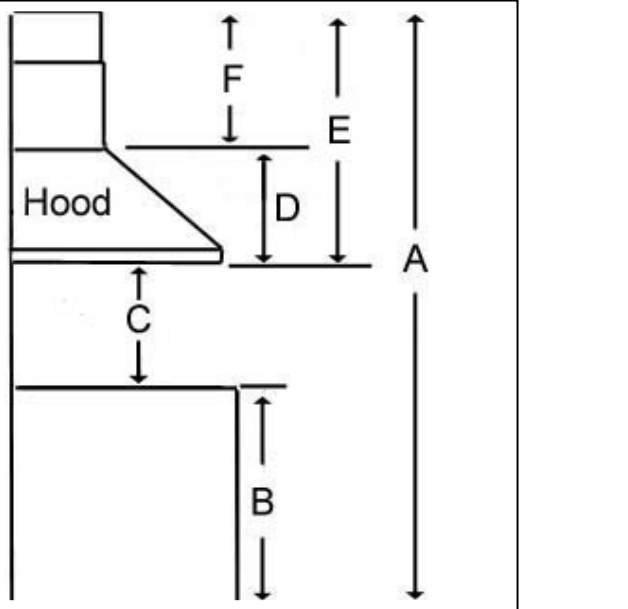
POR FAVOR, LEA LAS INSTRUCCIONES COMPLETAMENTE ANTES DE CONTINUAR

## Cálculo antes de la Instalación

Para realizar el cálculo para la instalación, por favor consulte la TABLA 1. (Todos los cálculos están hechos en pulgadas).

**TABLA 1**

A = Altura del Piso al Techo  
B = Altura del Piso a la Superficie del Mostrador  
(Estándar: 36")  
C = **Altura Preferida de la Superficie del Mostrador a Parte Inferior de la Campana (Se recomienda de 27" a 30")**  
D = Altura de la Campana  
E = Altura de Instalación de la Campana  
[A - (B+C)]  
F = Altura de la Cubierta de Conductos  
[E - D]



## **⚠ ADVERTENCIA DE SEGURIDAD**

LA CAMPANA PODRÍA TENER EXTREMOS SUMAMENTE FILOSOS; FAVOR DE UTILIZAR GANTES PROTECTORES SI VA A RETIRAR CUALQUIER PIEZA PARA INSTALAR, LIMPIAR O DARLE SERVICIO.

NOTA: TENGA MUCHO CUIDADO AL UTILIZAR UN DESTORNILLADOR ELÉCTRICO; PODRÍA CAUSAR DAÑOS A LA CAMPANA.

## Preparación antes de la Instalación

NOTA: PARA EVITAR CAUSAR DANOS A SU CAMPANA, EVITE QUE DESECHOS PENETREN EN LA RENDIJA DE VENTILACIÓN

- Decida la ubicación para colocar el conducto de ventilación de la campana hacia el exterior. (Figura 1)
- Un ducto de escape recto y corto permitirá que la campana trabaje con más eficiencia.
- Intente evitar tantas conexiones, codos y ductos largos como sea posible. Esto podría reducir el rendimiento de la campana.
- Antes de instalar, conecte temporalmente la campana para verificar que funcione adecuadamente.
- **Importante: Retire la película protectora de la campana.**
- Utilice cinta aislante (duct tape) para sellar las uniones entre las secciones de los conductos.
- Si fuera necesario, prepare un marco de respaldo para la pared con madera de entramado para asegurar la instalación. Consulte la Tabla 1 y a las medidas en la página 51 para decidir el nivel de la madera. (Figura 2)
- Afloje los soportes de montaje para la campana en la parte posterior de la misma. Ajuste los soportes y apriete los tornillos como se muestra en la Figura 3.
- Si fuera necesario, remueva la base de goma en la parte posterior de la campana y deséchela. (Figura 4)

## Instalación de la Campana

**⚠ PRECAUCIÓN:** Si fuera necesario mover la estufa para instalar la campana, asegúrese de desconectar el suministro eléctrico en una estufa eléctrica, en la caja eléctrica principal. **APAGUE EL GAS ANTES DE MOVER UNA ESTUFA DE GAS.**

1. Utilizando las referencias en la Tabla 1 y las medidas en la Página 51, marque el punto de los lugares de nivel para colocar los soportes de montaje de la campana en la pared.
2. Coloque dos tornillos de montaje en la pared (no incluidos), dejando un espacio de 1/8" desde la pared. (Figura 5)
3. Alinee los soportes de montaje de la campana con los tornillos de montaje en la pared y cuelgue la campana en su lugar.

Figura 1

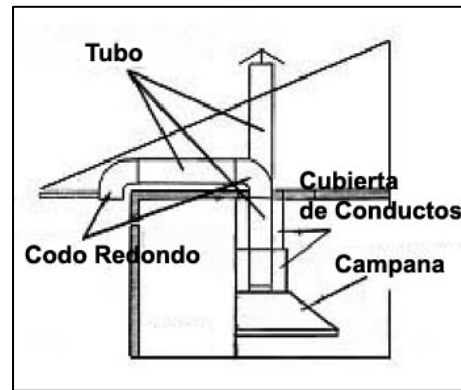


Figura 2

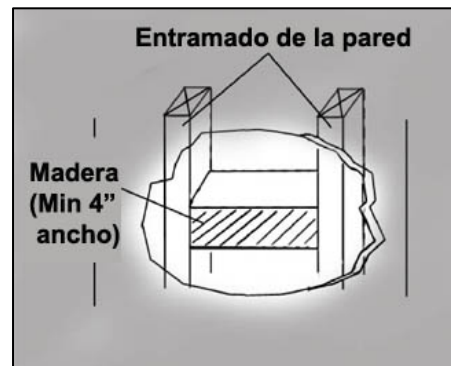


Figura 3

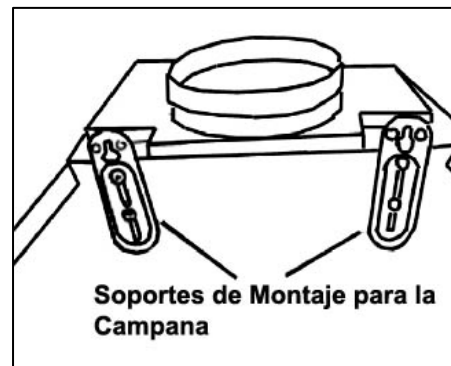
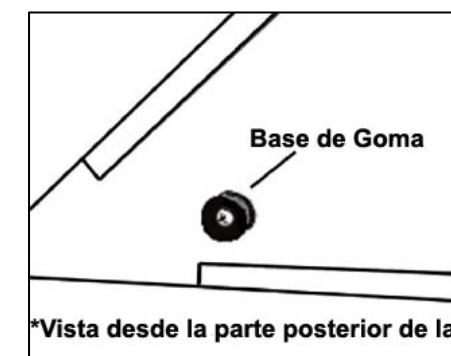


Figura 4





- Asegure y apriete los tornillos del soporte. **PRECAUCIÓN: ASEGÚRESE QUE LA CAMPANA ESTÉ FIJA ANTES DE SOLTARLA.**

### Instalación de la Red de Conductos

- Utilizando la Referencia E de la Tabla 1 y las medidas en la Página 51, marque el punto de nivel para el soporte para el montaje de la cubierta de conductos.
- Asegure el soporte de montaje de la cubierta de conductos en la pared con dos tornillos (no incluidos). (Figura 6) Asegúrese que todos los tornillos estén apretados. **NOTA:** La cubierta de conductos interna cubrirá el soporte de montaje para la cubierta de conductos.
- Utilice un tubo de aluminio o acero (no incluido) para conectar escape plástico de la campana con la red de conductos de arriba. Utilice cinta aislante para asegurarse que todas las uniones estén seguras y herméticas como se muestra en la Figura 7.

### Cableado Hacia la Fuente de Alimentación

**⚠ADVERTENCIA DE SEGURIDAD**  
**RIESGO DE ELECTROCUCIÓN. ESTA CAMPANA DE EXTRACCIÓN DEBERÁ TENER UNA CONEXIÓN A TIERRA ADECUADA. ASEGÚRESE QUE ESTO SE REALICE POR UN ELECTRICISTA CALIFICADO Y DE ACUERDO CON TODOS LOS CÓDIGOS ELÉCTRICOS NACIONALES Y LOCALES CORRESPONDIENTES. ANTES DE CONECTAR LOS CABLES, DESCONECTE EL SUMINISTRO ELÉCTRICO EN EL PANEL DE SERVICIO Y CIERRE BAJO LLAVE EL PANEL PARA PREVENIR QUE LA UNIDAD SE ENCIENDA ACCIDENTALMENTE.**

- Conecte los tres cables (negro, blanco y verde) y tape con conectores de cables. Conecte de acuerdo a su color: negro con negro, blanco con blanco, y verde con verde como se muestra en la Figura 8
- Pruebe el funcionamiento de la campana antes de realizar el siguiente paso. Asegúrese que la electricidad llegue a la campana.

### Instalación de la Cubierta de Conductos

- Deslice la cubierta de conductos interior hacia arriba 2 pulgadas antes de deslizar completamente la cubierta de conductos sobre la campana. (Figura 9)
- Alinee la cubierta de conductos interior sobre el soporte de montaje para la cubierta de conductos. Asegure la cubierta de conductos interna con dos tornillos (4x8 mm) (incluidos).

Figura 5

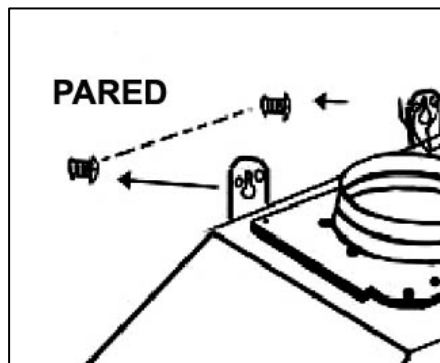


Figura 6

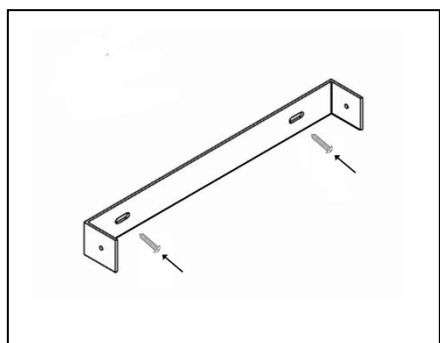


Figura 7

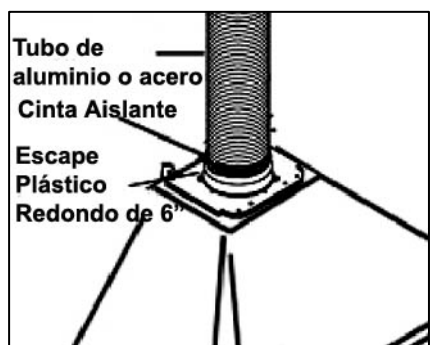
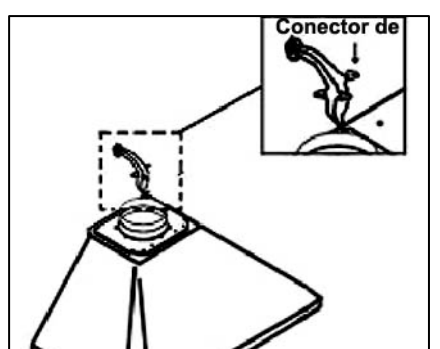
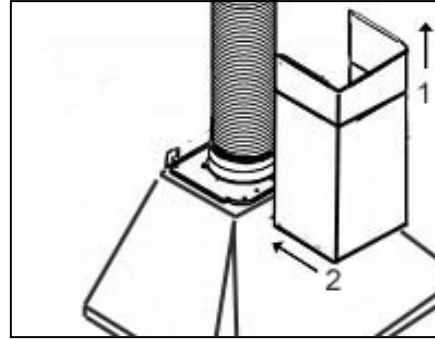


Figura 8



12. Sujete la cubierta de conductos exterior a la placa plástica en la campana, utilizando cuatro tornillos (4x8 mm) (incluidos). Figura 9



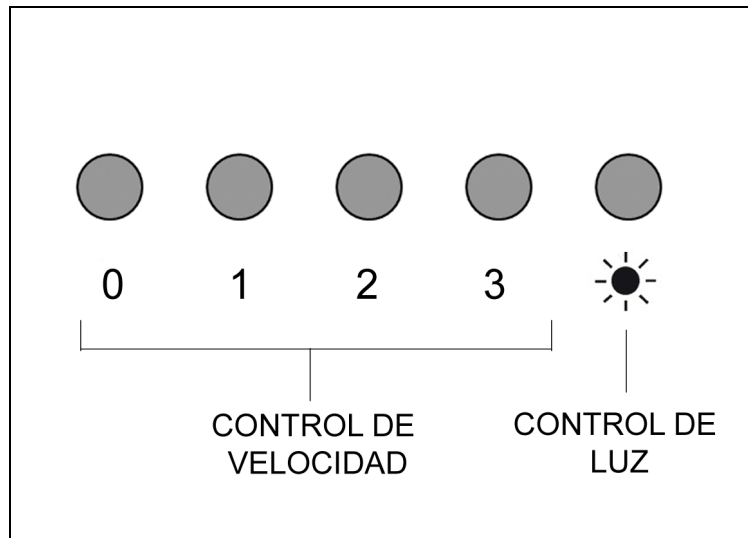
### Instalación de Accesorios

13. Coloque los filtros deflectores debajo de la campana.

### Ensamblaje Final

14. Encienda la unidad en el panel de control. Verifique el funcionamiento de todas las luces y el ventilador.
15. Asegúrese de dejar este manual con el propietario de la vivienda.

# INSTRUCCIONES DE OPERACIÓN



## **Para hacer funcionar el ventilador**

- Pulse el botón para elegir entre la velocidad.
  - 1 = baja velocidad
  - 2 = Medio velocidad
  - 3 = Alto velocidad
- Pulse "0" para apagar el ventilador.

## **Para hacer funcionar las luces**

- Pulse el control de luz para encender las luces dentro y fuera.

# MANTENIMIENTO

## **⚠️ ADVERTENCIA DE SEGURIDAD**

**NUNCA COLOQUE SUS MANOS DENTRO DE LA CAJA DEL VENTILADOR MIENTRAS ESTE SE ENCUENTRE FUNCIONADO.**

### Limpieza de la Superficie de la Campana de Extracción

**⚠️ PRECAUCIÓN:** NUNCA UTILICE LIMPIADORES, ALMOHADILLAS O PAÑOS ABRASIVOS. NO UTILICE TOALLAS DE PAPEL SOBRE EL ACERO INOXIDABLE.

Para un funcionamiento óptimo, limpie la campana de extracción y todos los deflectores/separadores/filtros/conductos de aceite/recipientes para aceite con regularidad.

\*\*\* El cuidado regular ayudará a preservar la apariencia de la campana.

1. Utilice solamente jabón o soluciones detergentes suaves. Seque las superficies utilizando un paño suave.
2. Si la campana se ve manchada (campana de acero inoxidable), utilice un limpiador para acero inoxidable para limpiar la superficie de la campana. Evite que la solución de limpieza caiga sobre o en el panel de control. Siga las instrucciones del limpiador de acero inoxidable. **Precaución: No lo deje por mucho tiempo pues podría dañar el acabado de la campana.** Utilice una toalla suave para limpiar la solución de limpieza y frote cuidadosamente cualquier área difícil de limpiar. Utilice una toalla suave y seca para secar la campana.
3. NO permita que depósitos se acumulen o permanezcan sobre la campana.
4. NO utilice lana de acero o cepillos de acero ordinarios. Pequeños pedazos de acero podrían adherirse a la superficie y causar óxido.
5. NO permita que soluciones de sal, desinfectantes, blanqueadores o compuestos de limpieza permanezcan en contacto con el acero inoxidable por periodos de tiempo prolongados. Muchos de estos compuestos contienen químicos, que podrían ser perjudiciales. Enjuague con agua después del contacto y seque con un paño limpio libre de pelusas.

### Para Limpiar el Filtro Deflector

1. Remueva todos los filtros deflectores.
2. Lave con agua tibia jabonosa. Seque completamente antes de colocarlo de nuevo en su lugar.

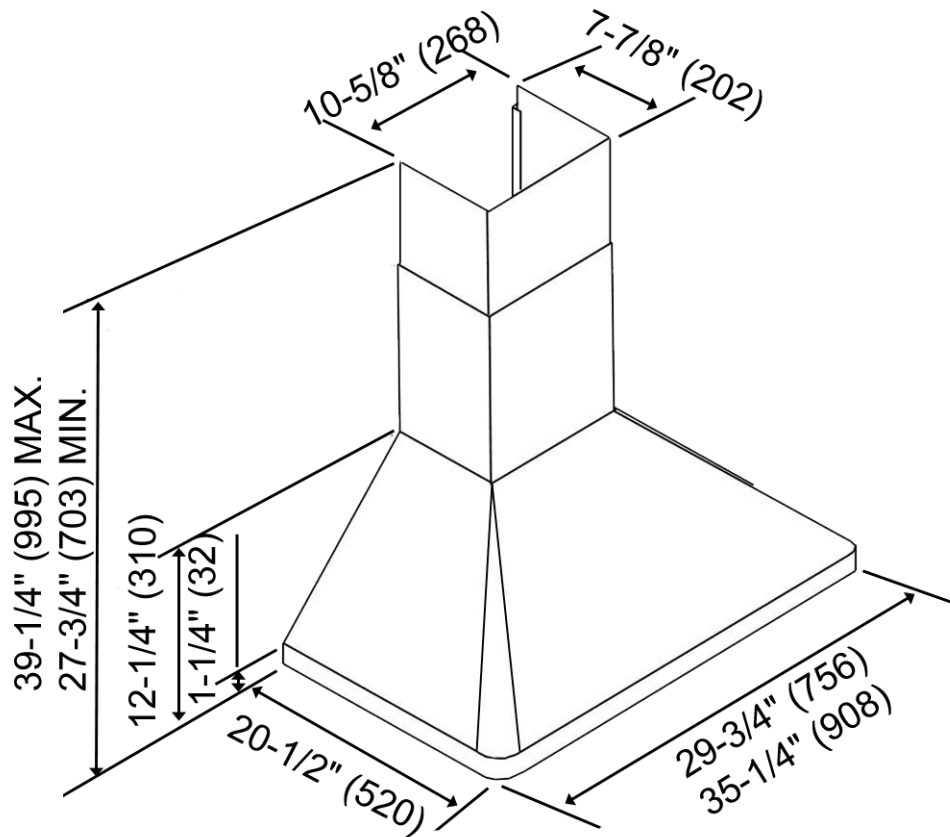
# ESPECIFICACIONES

<b>MODELO /TAMAÑO</b>	RAX9430SF / 30" RAX9436SF / 36"			
<b>COLOR</b>	Acero Inoxidable de Clasificación Comercial			
<b>CONSUMO/ AMPERAJE</b>	205 W / 1.77 A			
<b>VOLTAJE</b>	120V 60Hz			
<b>NUMERO DE MOTORES</b>	1			
<b>DISEÑO</b>	Liso Calibre 18/ Acabado Satinado			
<b>TIPO DE VENTILADOR</b>	Jaula de Ardilla Horizontal Doble			
<b>EXTRACTOR</b>	Superior Circular de 6"			
<b>CONTROLES</b>	Impulsar el sistema de control de botón			
<b>FOCOS</b>	LED 3W x 2			
<b>DIMENSIÓN DE LA CAMPANA</b>	(RAX9430SF) 29-3/4" x 20-1/2" x 12-1/4" (RAX9436SF) 35-3/4" x 20-1/2" x 12-1/4"			
<b>ACCESORIOS OPCIONALES</b>	<b>1) Modelo No. RA0930DC</b> 1-Pieza de Extensión de la Cubierta de Conductos para Techos de 9'~10' <b>2) Modelo No. RA0946DC</b> 1-Pieza de Extensión de la Cubierta de Conductos para Techos de 10'~11' <b>3) Modelo No. SSP30</b> Panel Posterior de Acero Inoxidable de 30" (30" x 1/10" x 32") <b>4) Modelo No. SSP36</b> Panel Posterior de Acero Inoxidable de 36" (36" x 1/10" x 32")			
<b>PESO (lbs)</b>		<u>Neto</u>	<u>Bruto</u>	
	<b>(RAX9430SF)</b>	42.0	62.0	
	<b>(RAX9436SF)</b>	46.0	68.0	
<b>VELOCIDAD</b>		<b>Baja</b>	<b>Media</b>	<b>Alta</b>
<b>Capacidad de Aire (cfm)</b>		280	400	600
<b>Sonio*</b>		1.5	3.0	4.8

\*Información de las especificaciones está sujeta a cambio sin previo aviso.

## MEDIDAS Y DIAGRAMAS

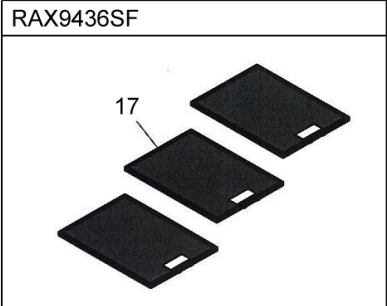
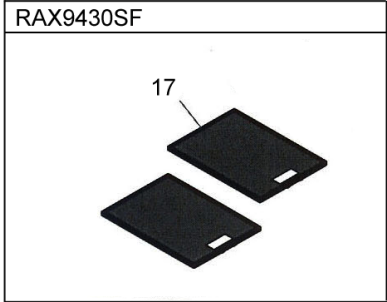
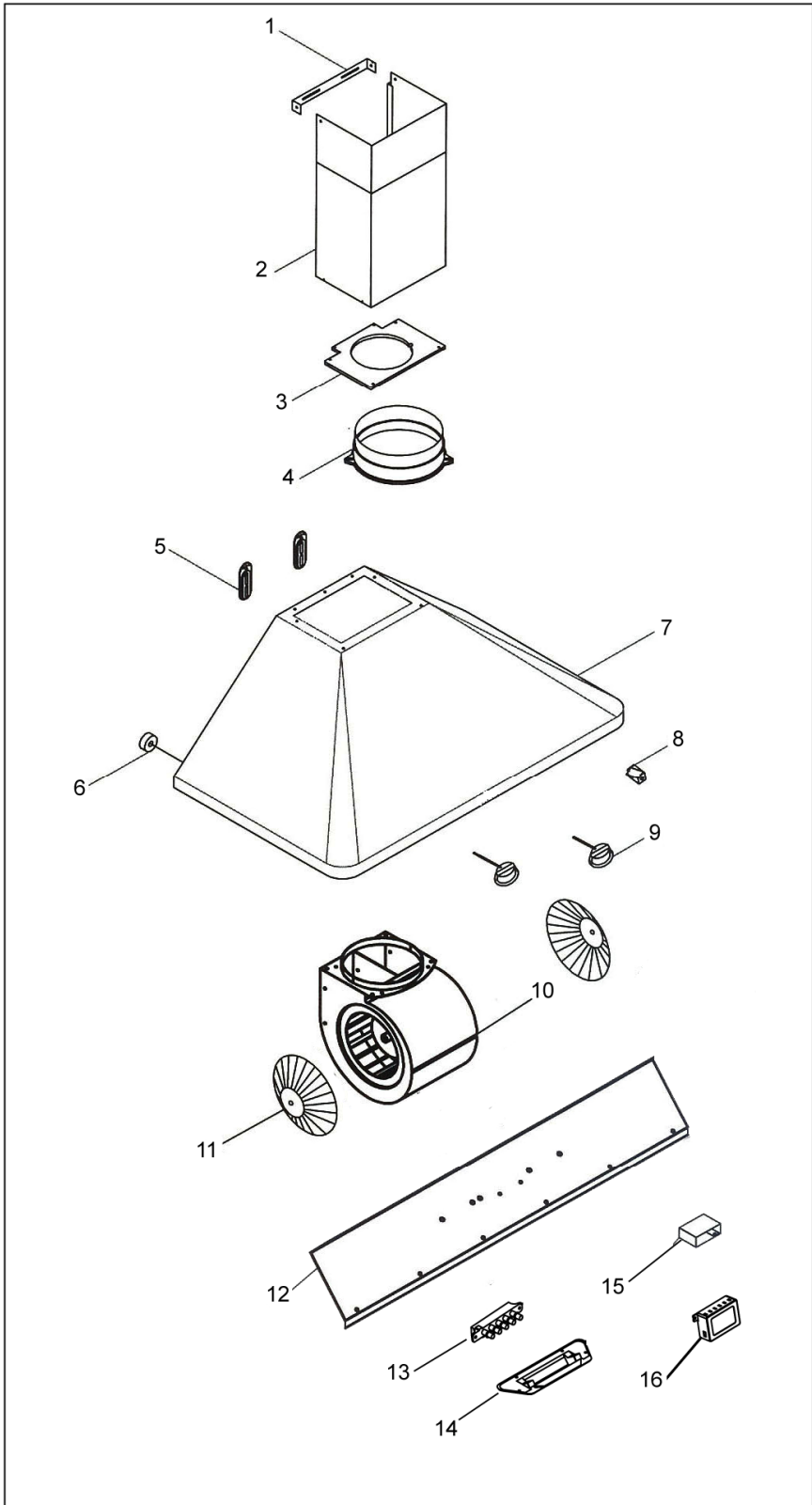
- ◆ Todas las medidas en ( ) están en milímetros.
- ◆ Todas las medidas en pulgadas han sido convertidas de milímetros. Las medidas en pulgadas son medidas aproximadas.



# LISTADO DE PIEZAS

MODELO NO.: RAX9430SF  
RAX9436SF

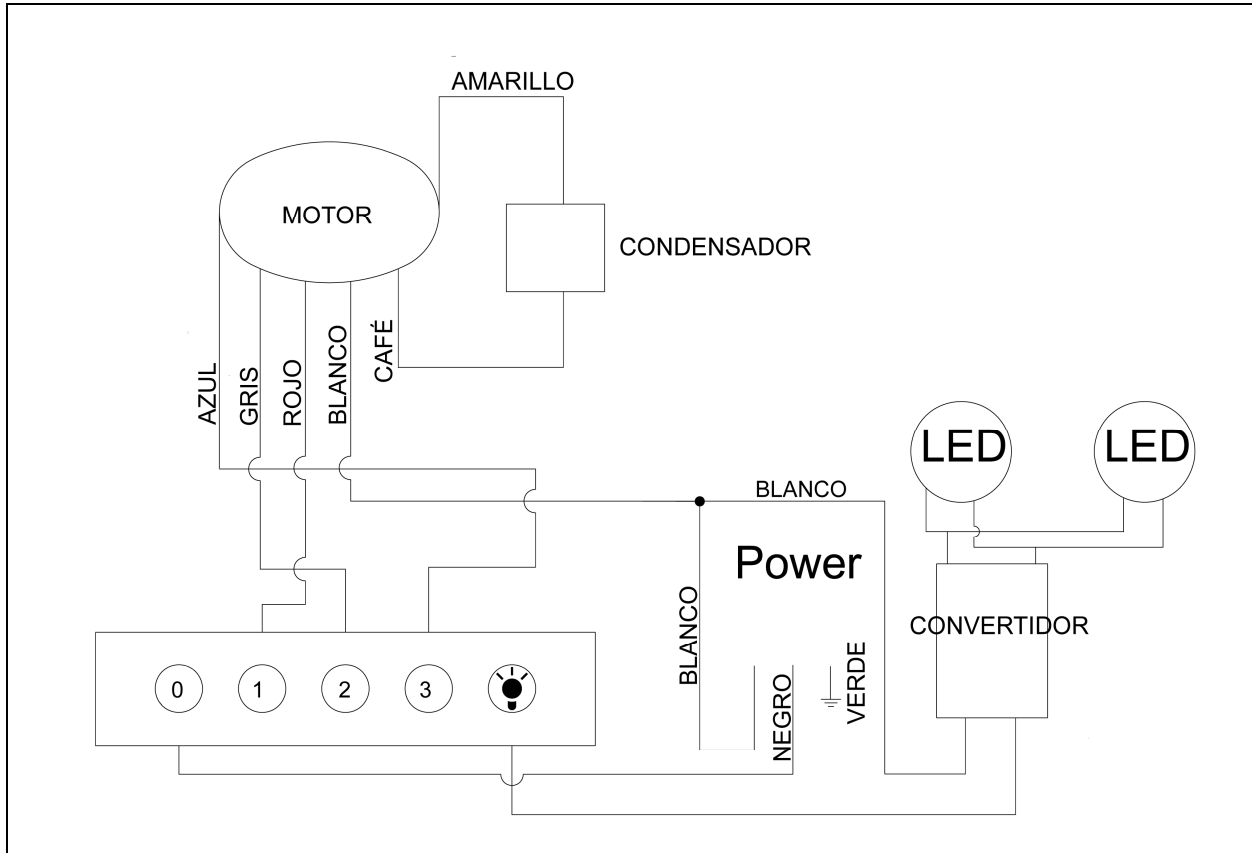
NO.	DESCRIPCIÓN	MODELO / TAMAÑO	PIEZA NO.
1	Soporte de Montaje de Cubierta de Conductos		C1-0203-0092
2	Cubierta de Conductos	RAX094DC	B102-0192
3	Placa de Plástico		C1-0506-0092
4	Escape Redondo Plástico de 6"		C1-0505-0001
5	Soporte de Montaje de la Campana		C1-0221-0001
6	Base de Goma		C1-0510-0101
7	Carcasa de la Campana	RAX9430SF	RA-25300-A
		RAX9436SF	RA-25900-A
8	Caja de Cableado		C1-0231-2590
9	LED		C1-0403-0306
10	Cámara de Aire y Motor		BR-0302-A120-01
11	Pantalla de Seguridad		C1-0602-0103
12	Soporte del Panel de Control	RAX9430SF	C1-0207-2530
		RAX9436SF	C1-0207-2590
13	Panel de Control		C1-0405-0303
14	Soporte del Panel de Control		C1-0207-6200
15	Condensador		C1-0401-A300-08
16	Transformador (Luz)		C1-0402-D001
17	Filtro Deflector		C1-0604-0107





# DIAGRAMA DE CIRCUITO

MODELO NO.: RAX9430SF  
RAX9436SF



## INSTRUCCIONES IMPORTANTES DE SEGURIDAD

<b>Problema</b>	<b>Posible Causa</b>	<b>Solución</b>
Después de la Instalación, ninguno de los motores ni las luces están funcionando.	No está encendido.	Asegúrese que el interruptor de circuitos y la unidad se encuentren encendidos. Utilice un medidor de voltaje para verificar la energía de entrada.
	La conexión de cables no está bien sujeta.	Verifique y ajuste la conexión de cables.
Las luces están funcionando pero el(los) motor(es) no.	El/los motor(es) está(n) defectuoso(s).	Reemplace el motor.
	El/los condensador(es) está(n) defectuoso(s).	Reemplace el(los) condensador(es).
La campana de extracción está vibrando.	El sistema de ventilador no está bien sujeto.	Tighten the turbine impeller/squirrel cage and air chamber.
	El impulsor de turbina/jaula de ardilla no está balanceado.	Ajuste el impulsor de turbina/jaula de ardilla y la cámara de aire.
	La campana no está bien sujeta en su lugar	Verifique la instalación de la campana, ajuste el soporte de montaje.
El motor está funcionando pero las luces no.	El(los) foco(s) de la Lámpara de Halógeno está(n) defectuoso(s).	Intente colocar el foco que le está dando problemas en otro receptáculo que funcione, si aún así éste no funciona, reemplace el foco de halógeno.
	El cableado de la luz está flojo.	Verifique la continuidad del cable desde la placa de procesador al transformador de la luz hasta la caja de la lámpara de halógeno.
	El transformador de la luz está defectuoso.	Verifique la entrada y salida de la corriente en el transformador de la luz. De ser necesario, reemplace el transformador de la luz.
La campana de extracción no está ventilando correctamente.	La campana de extracción no se encuentra instalada en el espacio recomendando por el fabricante.	Ajuste el espacio entre la campana y la parte superior de la estufa a 27" a 30". Para la campana de cocina de isla, el espacio entre la campana y la parte superior de la estufa deberá ser de 30" a 36"
	No hay aire de reposición en la casa.	Abra la ventana para optimizar el rendimiento de la campana de extracción creando suficiente aire de reposición.
	Una obstrucción bloquea la red de conductos.	Remueva todas las obstrucciones de la red de conductos.
	El tamaño del tubo es más pequeño que el tubo recomendado.	Cambie los tubos de acuerdo con la recomendación del fabricante.
Aire frío entra en la casa	La conexión de los conductos no está sellada correctamente.	Verifique la instalación de los tubos

## CLÁUSULA DE EXENCIÓN

1. **INSPECCIONE CUIDADOSAMENTE TODOS LOS ARTÍCULOS VERIFICANDO QUE NO EXISTAN DAÑOS ANTES DE ACEPTAR LA ENTREGA. ANOTE CUALQUIER DAÑO EN LA FACTURA DE TRANSPORTE O EN EL RECIBO. PIDA EL NOMBRE Y FIRMA DEL AGENTE DE TRANSPORTE Y CONSERVE UNA COPIA PARA RESPALDAR SU RECLAMO.**

Al momento de aceptar los artículos, el propietario asume la responsabilidad de que lleguen de manera segura. Reporte los daños al transportista y presente un reclamo inmediatamente. El no hacerlo podría resultar en un rechazo de su reclamo. El transportista le entregará los formularios necesarios para presentar un reclamo.

**LOS DAÑOS CAUSADOS DURANTE EL TRANSPORTE NO SE ENCUENTRAN CUBIERTOS BAJO NUESTRA GARANTÍA.**

2. **POR FAVOR, ¡INSPECCIONE LOS CONTENIDOS DEL PAQUETE(S) CUIDADOSAMENTE AL RECIBIRLOS!**

Se nos deberá notificar por escrito sobre cualquier daño y/o piezas faltantes dentro del periodo de días establecidos luego de haber recibido su paquete(s).

**LOS RECLAMOS NO SERÁN ACEPTADOS DESPUÉS DEL PERIODO DE DÍAS ESTABLECIDOS.**

NOTA: LOS ARTÍCULOS FUERON SOMETIDOS A PRUEBAS Y EMPACADOS CUIDADOSAMENTE EN NUESTRA FABRICA ANTES DE SU ENVÍO.

3. Los productos deberán ser devueltos en buen funcionamiento con TODAS las piezas y documentación originales empacados en TODAS los cartones, rellenos y cajas de envío originales.

**LOS CAMBIOS O DEVOLUCIONES PODRÍAN NO ACEPTARSE SI FALTARA ALGÚN MATERIAL DE EMPAQUE.**

4. **ASEGÚRESE DE INSPECCIONAR LA CAMPANA VERIFICANDO QUE NO EXISTAN DAÑOS O DEFECTOS ANTES DE INSTALARLA.** Las imperfecciones en la apariencia de la campana que se encuentren después de que ésta haya sido instalada y que no afecten el rendimiento de la misma, no se encuentran cubiertas bajo nuestra garantía sobre devoluciones o cambios. Las visitas de servicio que no se encuentran cubiertas bajo la garantía incurrirán un cargo por servicio.

A) Antes de la Instalación: Envíe de vuelta para cambio o reembolso (por favor consultar lo anterior para averiguar sobre las devoluciones aceptadas).

B) Después de la Instalación: **NO** habrá ningún cambio ni reembolso.

# GARANTÍA

## CERTIFICADO DE GARANTÍA

EPC Trading Inc. garantiza que todos los productos fabricados o proporcionados por la compañía se encontrarán libres de defectos en cuanto a mano de obra y materiales. Sus obligaciones según esta garantía se encuentran limitadas a un periodo de uno año a partir de la fecha de compra y a reparar o reemplazar a su elección y sujeto a los términos y condiciones establecidas a continuación, cualquier pieza, que luego de ser examinada demuestre que estaba defectuosa.

### PERIODO DE SERVICIO DE LA GARANTÍA DE UNO AÑO (PIEZA)

Cualquier avería cubierta que ocurra dentro de un periodo de uno año a partir de la fecha de compra original que surja a causa de mano de obra o material defectuoso de fábrica será reemplazada a nuestra discreción sin costo alguno por EPC Trading Inc. Tenga a la mano un comprobante de compra (o la factura original) para su verificación.

Si la campana de extracción ha sido vendida por el comprador original durante el periodo de garantía, el nuevo propietario estará protegido hasta que la garantía del comprador original se venza.

### CONDICIONES

Las siguientes condiciones aplican solamente en relación a la garantía otorgada explícitamente por este certificado.

- 1) Esta garantía aplica solamente:
  - a) dentro de EE.UU. y Canadá.
  - b) a las campanas de extracción de USO UNIFAMILIAR PRIVADO (si han sido utilizadas COMERCIALMENTE o USO MULTIFAMILIAR u otros propósitos, la garantía se anulará).
- 2) La reparación de cualquier avería a proporcionarse bajo esta garantía no se proporcionará:
  - a) si el número de identificación colocado en la campana de extracción ha sido alterado, se considera ilegible o ha sido removido;
  - b) si no se ha presentado una notificación del defecto dentro del periodo de tiempo correspondiente;
  - c) fallo de los focos de la luz o lámparas de calor;
  - d) por daños físicos;
  - e) por superficies dañadas por la utilización de agentes de limpieza químicos no adecuados;
  - f) si el aparato ha:
    - i) estado sujeto a uso inadecuado, abuso, negligencia, accidentes, instalación incorrecta o el no seguir las instrucciones de operación;
    - ii) sido conectado a fuentes eléctricas, conductos de extracción, tubos o cubierta de conductos inadecuados, incorrectos o defectuosos, u operado utilizando lubricantes contaminados o incorrectos;
  - g) por daños causados a la campana de extracción durante su transporte, entrega, instalación o al quitarla;
  - h) ruido o vibración causada por una instalación incorrecta de la campana de extracción y/o el regulador.

- 3) El comprador deberá proporcionar un comprobante de compra junto con este certificado de garantía al presentar un reclamo.
- 4) Los daños causados durante el envío no se encuentran cubiertos bajo nuestra garantía.

### **DAÑOS EMERGENTES**

El garante no se hace responsable por ningún daño emergente. ALGUNOS ESTADOS NO PERMITEN LA EXCLUSIÓN DE DAÑOS EMERGENTES ASÍ QUE LA EXCLUSIÓN ANTERIOR PODRÍA NO CORRESPONDERLE.

### **GARANTÍAS IMPLÍCITAS/LEY ESTATAL**

Cualquier garantía implícita, incluyendo la garantía implícita de comerciabilidad y adecuación al objetivo, impuestas al momento de la venta por las leyes del estado de venta se encuentran limitadas a uno año a partir de la fecha original de compra. Algunos estados no permiten límites en cuanto a la duración de las garantías implícitas. Esta garantía le otorga derechos legales específicos y podría también incluir derechos, que varían de estado en estado.

### **SERVICIO**

Para servicio contacte a:

KOBE Range Hoods  
11775 Clark Street  
Arcadia, CA 91006  
U.S.A.

Tel: (626) 775-8880

Correo electrónico: [Customer.Service@KOBERangeHoods.com](mailto:Customer.Service@KOBERangeHoods.com)

Website: [www.KOBERangeHoods.com](http://www.KOBERangeHoods.com)

# REGISTRO DEL PRODUCTO

## ¡Registre su Producto!

Cualquier avería cubierta que ocurra dentro de un periodo de dos años a partir de la fecha de compra original, que surja a causa de mano de obra o material defectuoso de fábrica, será reparada, o a nuestra discreción, la unidad será reemplazada sin costo alguno por parte de un Agente autorizado de EPC Trading Inc o EPC Trading Inc según corresponda. Tenga a la mano un comprobante de compra (factura original) para su verificación.

Si la campana de extracción ha sido vendida por el comprador original durante el periodo de garantía, el nuevo propietario estará protegido hasta que la garantía del comprador original se venza. Consulte la sección de la garantía para obtener la información completa sobre la cobertura de la garantía.

Este aparato ha sido fabricado, sometido a pruebas e inspección según los estándares requeridos por EPC Trading Inc.

## **POR FAVOR, ENVÍE POR CORREO SU TARJETA DE REGISTRO DE GARANTÍA Y EL COMPROBANTE DE COMPRA A:**

KOBE Range Hoods  
Warranty Registration  
11775 Clark Street  
Arcadia, CA 91006  
U.S.A.

## **ESCRIBA LA SIGUIENTE INFORMACIÓN PARA SUS ARCHIVOS:**

Modelo No. \_\_\_\_\_

No. de Serie \_\_\_\_\_

Fecha de Compra                    \_\_\_\_ / \_\_\_\_ / \_\_\_\_

Comprado En:

\_\_\_\_\_  
\_\_\_\_\_  
\_\_\_\_\_

**IMPORTANTE: POR FAVOR, TENGA A LA MANO UNA COPIA DE SU RECIBO DE VENTA O FACTURA AL SOLICITAR SERVICIO.**

# KOBE®

KOBE Range Hoods  
11775 Clark Street  
Arcadia, CA 91006 USA

<http://www.KOBERangeHoods.com>

This KOBE hood is made for use in the USA and CANADA only. We do not recommend using this hood overseas as the power supply may not be compatible and may violate the electrical code of that country. **Using a KOBE hood overseas is at your own risk and will void your warranty.**

Cette hotte KOBE est fabriquée pour usage aux États-Unis et au Canada seulement. Il n'est pas recommandé d'utiliser cette hotte à l'étranger puisque l'alimentation électrique pourrait ne pas être compatible et enfreindre le code de l'électricité de ce pays. **L'usage de la hotte KOBE à l'étranger est à votre propre risque et la garantie sera annulée.**

Esta campana de extracción KOBE ha sido fabricada para ser utilizada únicamente en EE.UU. y CANADÁ. No recomendamos la utilización de esta campana en el extranjero debido a que la fuente de energía podría no ser compatible y podría violar el código eléctrico de dicho país. **Utilizar una campana KOBE en el extranjero será a su propio riesgo y anulará la garantía.**

Subject to change without notice.

VER.120507