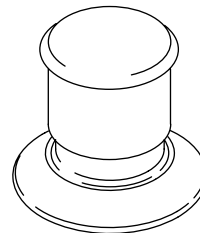
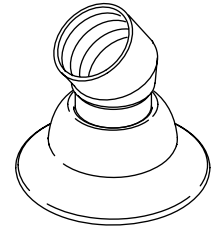


**DIVERTER VALVE KIT
K-10342**

Features

- Two-way brass diverter valve
- Diverter valve has backflow protection
- 15 gpm (56.8 lpm) at 45 psi (3.1 bar) using 1/2" high-flow valves
- 25 gpm (94.6 lpm) at 45 psi (3.1 bar) using 3/4" high-flow valves
- Handshower kit for bath-mount or deck-mount installation
- 69" (175.3 cm) decorative hose
- 36" (91.4 cm) high-pressure hose



Codes/Standards Applicable

Specified model meets or exceeds the following:

- ASME A112.18.1/CSA B125.1
- ASSE 1014
- ASSE 1025

Colors/Finishes

- CP: Polished Chrome
- Other: Refer to Price Book for additional colors/finishes

Accessories:

- CP: Polished Chrome
- Other: Refer to Price Book for additional colors/finishes

Specified Model

Model	Description	<input type="checkbox"/> CP	<input type="checkbox"/> Other ____
K-10342	Diverter valve kit		

Product Specification

Diverter valve shall be of brass construction. Diverter valve kit shall include a two-way diverter valve with backflow protection. Diverter valve shall have a 15 gpm (56.8 lpm) at 45 psi (3.1 bar) using 1/2" high-flow valves or 25 gpm (94.6 lpm) at 45 psi (3.1 bar) using 3/4" high-flow valves. Diverter valve kit shall include a handshower kit for bath-mount or deck-mount installation with a 69" (175.3 cm) decorative hose and a 36" (91.4 cm) high-pressure hose. Product shall be Kohler Model K-10342-____.

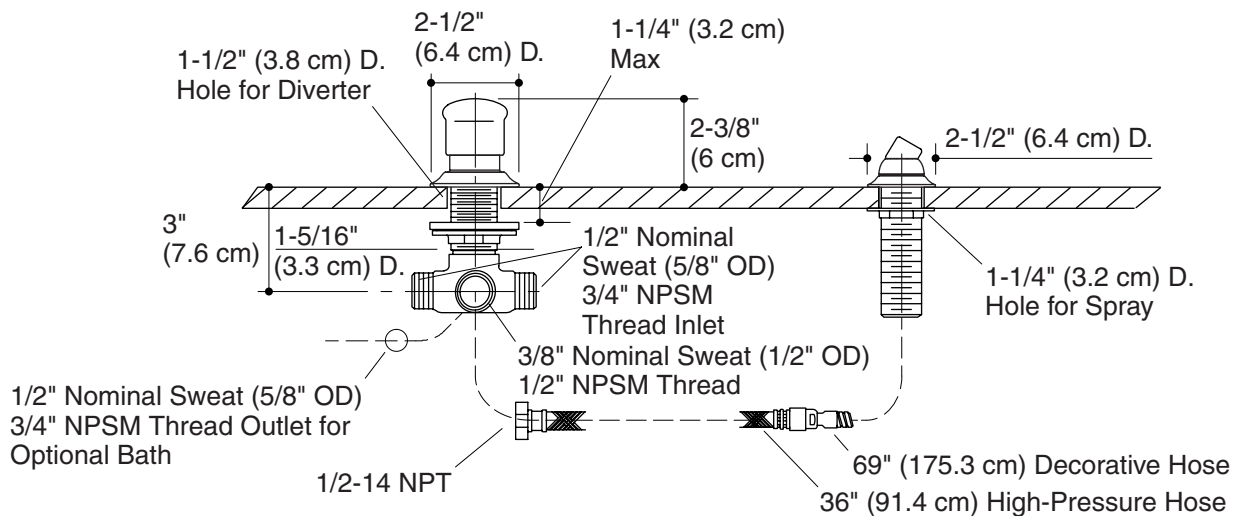
Installation Notes

Install this product according to the installation guide.

Diverter valve has backflow protection.

The bath or deck must not exceed 1-1/4" (3.2 cm) in thickness.

Kit requires a handshower.



Product Diagram